

PENDANT LAMP

IMPORTANT SAFETY INSTRUCTIONS

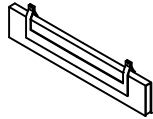
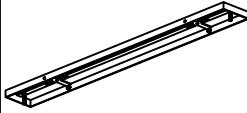
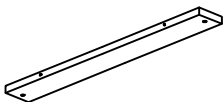

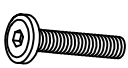

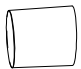
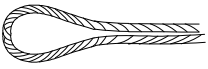
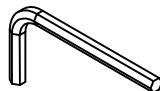
- Consult certified electrician before installation that familiar with commercial type of applications.
- The manufacturer and distributor accepts no liability for incorrect installation.
- The ceiling must have at least the capacity of 5 times the weight of the ceiling light. For this light at least a ceiling capacity of 30 kg is required.
- Maximum Supply Current 1 A

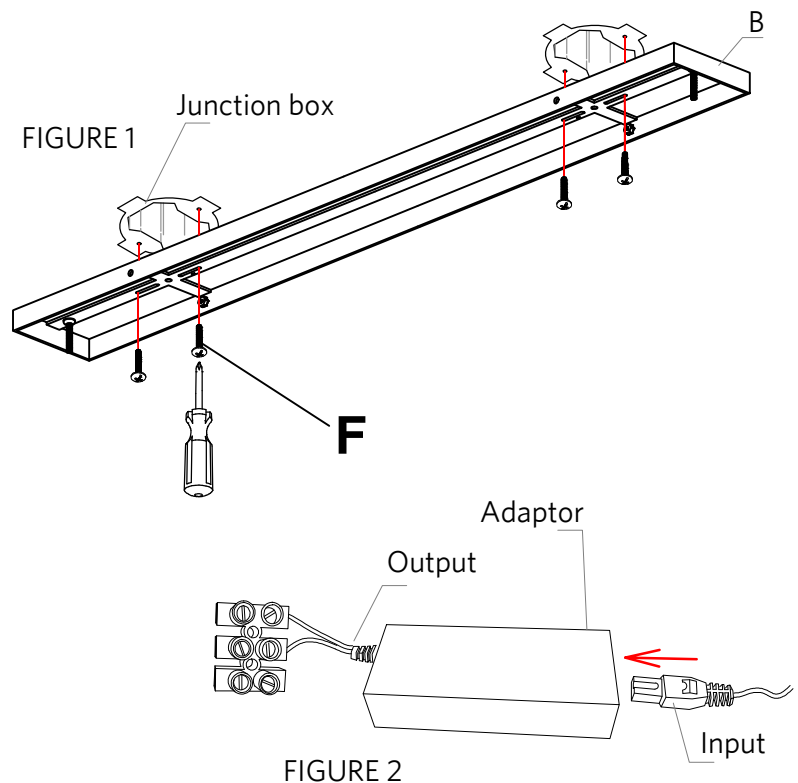
WARNING

- Turn-off electricity supply at main circuit panel before installing. All wires are connected. Do not remove the ceiling light from its packaging by pulling on the power cord, as a bad connection may result.
- Deviation from instructions may result in a risk of fire or electric shock.
- Suitable for indoor use only.
- The external flexible cable or cord of this luminaire cannot be replaced; if the cord is damaged, the luminaire shall be destroyed.
- Terminal block not included. Installation may require advice from a qualified person.

ASSEMBLY INSTRUCTIONS

1. Attach the hanger bar to the junction box in the ceiling using the 2 Philips head bolts (F) provided, see figure 1. There is also a small piece of all-thread and 2 nuts which can add stability. Again, make sure your junction box can hold 30kg in weight. FIGURE 1.
2. Attach the junction box to the ceiling. Now is the time you can set the hanging distance of your fixture. Once the junction box is attached, take both ends of the stainless steel hanging cable and run them through the junction box eyelets. This is the most important part as it will determine how your light hangs. Take your time and make sure the light is at the correct height, and is level.

A		LAMP	1
B		HANGER BAR	1
C		CANOPY BOX WITH ADAPTOR	1
D		FIXTURE LOOP	2
E		BOLT	4
F		PHILLIPS BOLT	4
G		WIRE GRIP	4
H		SUSPENSION WIRE	2
I		ALLEN WRENCH	1



3. Attach one end of the suspension wire (H) to lamp. You will need a pair of pliers to squeeze the wire grips (G). Make sure these are clamped tight around the suspension wire.
4. Use the 2 wire clamps to secure your fixture to the junction box. We suggest you temporarily leave extra wire, just incase you need to re-adjust the height. We have proved extra wire clamps for this purpose. *It is very hard to reset the height of the lamp, take you time and get it right the first time ing distance of your fixture.
5. Once your light is hanging at the height you desire, remove the junction box from the ceiling and place the junction box and the light on a flat surface.
6. Run the black textile cord up the stainless steel hanging wire, through the wire hole in the junction box. At this point you will cut off any excess wire. Leave extra wire, don't cut it too short, you have room in the junction box for little extra wire.
7. Attach the end of the lamp suspension wires to the fixture loops (D). You will need a pair of pliers to squeeze the wire grips (G). Make sure these are clamped tight around the suspension wire.

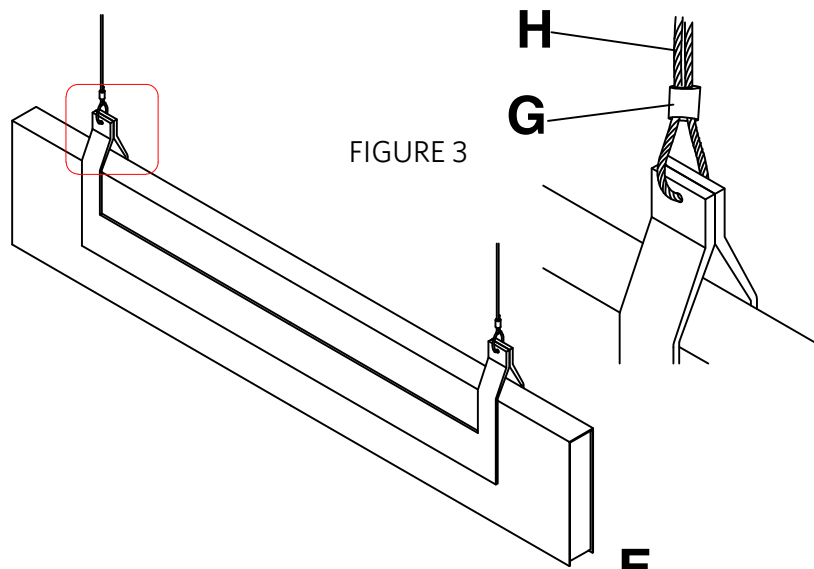


FIGURE 3

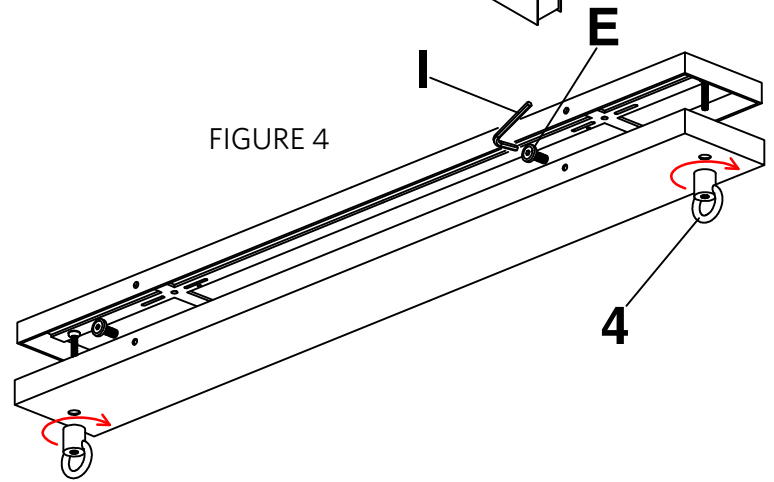


FIGURE 4

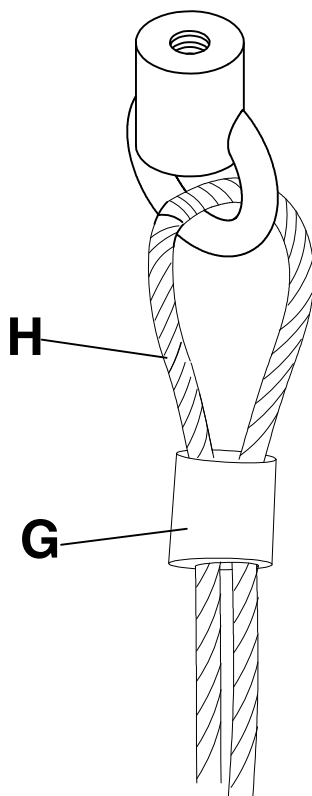
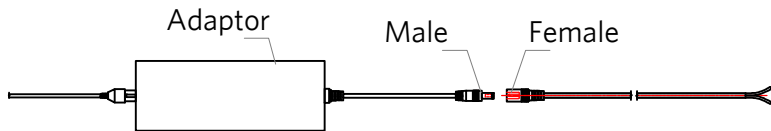


FIGURE 5

