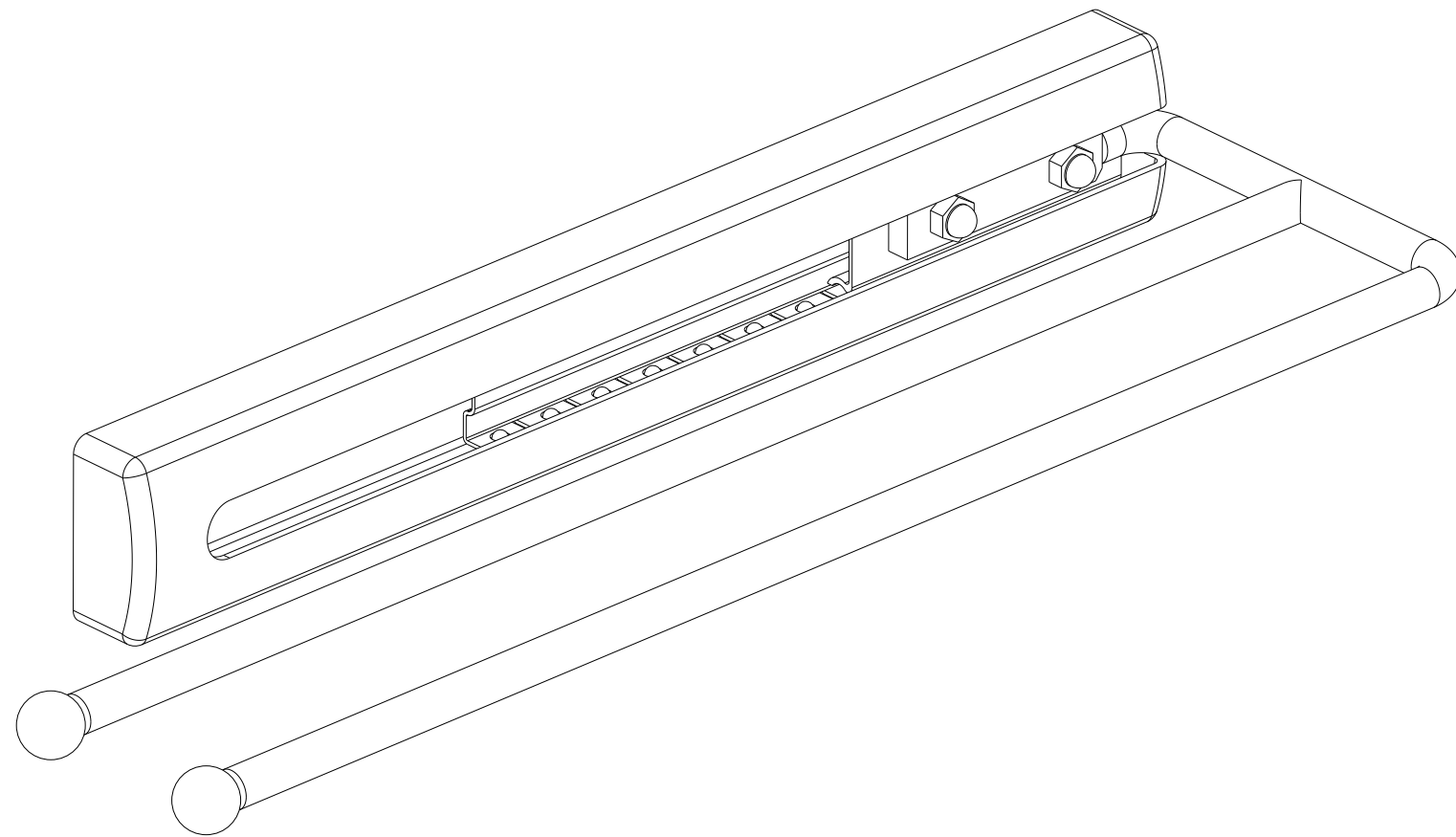


CUSTOMER DRAWING

This drawing is the property of Rev-A-Shelf (RAS) and is disclosed in confidence to the extent its subject matter is original to RAS. Any vendor receiving this drawing from RAS shall hold and use this drawing for the sole benefit of RAS and shall not disclose it to, or use or reproduce it for any third party, or perform any act adverse to the interest of RAS with respect to this drawing without the express written permission of RAS. Vendors shall not revise any physical, dimensional or performance characteristic unless authorized by Rev-A-Shelf Engineering.

REV.	DATE	BY	DESCRIPTION OF CHANGE

INCH [MM]	AMERICAN PROJECTION 	BY	DATE	REV-A-SHELF, INC.	
		LCS	6/30/22	SIZE B	2-PRONG PULLOUT TOWEL HOLDER
TOLERANCES		MATERIAL	DRAWING NO.	SCALE	
MAT. DEC.	ANGLES ±1/2°		563-51-C	0.500	
(WOOD) .XX ±.03 [.8mm]		FINISH	PART NO.	SHEET OF	
(OTHER) .XX ±.02 [.5mm]			563-51-C	1 2	
(ALL) .XXX ±.005 [.13 mm]					
FRACTIONS ±1/32 [.8 mm]					



PART DIMENSIONS	
WIDTH	4.06 [103,1]
DEPTH	12.84 [326,3]
HEIGHT	1.52 [38,6]
CONTAINER CAPACITY	
CONTAINER UOM	

MIN CABINET OPENING				
	FACE FRAME	FRAMELESS	INSET FACE FRAME	INSET FRAMELESS
WIDTH	5.00 [127]	5.00 [127]	5.00 [127]	5.00 [127]
DEPTH	13.00 [330]	13.00 [330]	13.75 [349]	13.75 [349]
HEIGHT	2.00 [51]	2.00 [51]	2.00 [51]	2.00 [51]

SLIDE SPECIFICATIONS				
SLIDE PART NUMBER	N/A	RELEASE PART NUMBER	N/A	
SLIDE TYPE	BALL BEARING	SLIDE EXTENSION	3/4 EXTENSION	MAX WEIGHT RATING
SLIDE CLOSING	N/A	SLIDE LENGTH	7.50 [190.5]	
SLIDE MOUNTING	SIDE	SLIDE FINISH	ZINC	25LB

CUSTOMER DRAWING

This drawing is the property of Rev-A-Shelf (RAS) and is disclosed in confidence to the extent its subject matter is original to RAS. Any vendor receiving this drawing from RAS shall hold and use this drawing for the sole benefit of RAS and shall not disclose it to, or use or reproduce it for any third party, or perform any act adverse to the interest of RAS with respect to this drawing without the express written permission of RAS. Vendors shall not revise any physical, dimensional or performance characteristic unless authorized by Rev-A-Shelf Engineering.

REV.	DATE	BY	DESCRIPTION OF CHANGE

INCH [MM]	AMERICAN PROJECTION	DRAWN	BY	DATE	REV-A-SHELF, INC.
			LCS	6/30/22	
			MATERIAL	DRAWING NO.	SCALE
			FINISH	563-51-C	0.750
				PART NO.	SHEET OF
				563-51-C	2 OF 2

TOLERANCES  
 MAT. DEC.  
 (WOOD) .XX ±.03 [.8mm]  
 (OTHER) .XX ±.02 [.5mm]  
 (ALL) .XXX ±.005 [.13 mm]  
 FRACTIONS ±1/32 [.8 mm]

ANGLES ±1/2°