

# 17545

## Recessed Open Splay Trim

### Product Description

The NICOR Lighting 6-inch Recessed Open Splay Trim (17545XX) creates a practical yet simple and attractive look to any room. The durable steel constructed trims provide stunning brightness while providing a custom designer look that matches with any interior color scheme. Open Splay trims maximize the amount of light output, making this ideal for areas that require bright lighting.

#### Construction

- Stamped steel
- Brushed Nickel plating
- White powder coat
- Designed to fit 6-inch housings

#### Installation

- Dry locations only
- Recommended Bulb Type PAR30, BR30 rated up to 75-Watts Max. (Not Included)
- Includes Torsion V-Spring Clips for a fact and secure installation

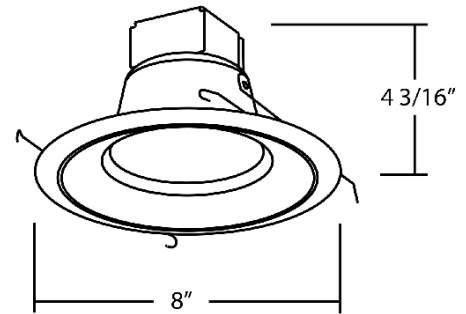
### Compatible Housings and Frames

<b>17000</b>	6" Universal New Construction Housing
<b>17001R</b>	6" Universal Remodel Housing
<b>17002A</b>	6" Universal New Construction ICAT Housing
<b>17002ANB</b>	6" Universal New Construction ICAT Housing (No Bracket)
<b>17003AR</b>	6" Universal Remodel ICAT Housing
<b>EFH6</b>	6" Fire Rated New Construction ICAT Housing
<b>EFH6-LED</b>	6" Fire Rated New Construction ICAT LED Housing

### Compatible Cords and Connections

<b>17204</b>	Medium Base (E26) Socket String
<b>E26-ID-SKT-4IN</b>	Medium Base (E26) to Quick-Connect Socket String
<b>GU24-IDEAL-SKT-STR</b>	GU24 to Quick-Connect Socket String Adapter
<b>GU10WHIP</b>	Medium Base (E26) to GU10 Socket String Adapter

Date \_\_\_\_\_



### Ordering Information

Example: 17545WH

Series	Color
<b>17545</b>	<b>WH</b> (White)
	<b>NK</b> (Nickle)

Specifications and dimensions subject to change without notice.