

## EPST Salem LED Post Top Light



Project Name \_\_\_\_\_  
Date \_\_\_\_\_ Type \_\_\_\_\_  
Notes \_\_\_\_\_

The **Evolve®** LED Salem Post Top offers energy efficiency and quality of light in a classic, utility carriage look and style. The advanced LED optical system provides improved horizontal and vertical uniformity, reduced glare and improved lighting control. Current's unique optical ring technology effectively aims the light where you need it, while eliminating the unsightly shadow circles commonly seen under other LED post top fixtures.

### CONSTRUCTION

<b>Housing:</b>	Diecast aluminum housing. Internal heat sink ensuring maximum heat transfer for long LED life.
<b>Lens:</b>	UV resistant polymer lens
<b>Paint:</b>	Corrosion resistant polyester powder paint, minimum 2.0 mil thickness Standard colors = Black, Dark Bronze RAL & custom colors available
<b>Weight:</b>	23.4lbs (10.7kg) – 27.5lbs (12.5kg)

### OPTICAL SYSTEM

<b>Lumens:</b>	2,800 – 8,900
<b>Distribution:</b>	Symmetric Type V Asymmetric Type III
<b>Efficacy:</b>	99 - 114 LPW
<b>CCT:</b>	3000K & 4000K
<b>CRI (Min):</b>	≥70

### ELECTRICAL

<b>Input Voltage:</b>	120-277V and 347-480V
<b>Input Frequency:</b>	50/60Hz
<b>Power Factor:</b>	≥ 90% at rated watts
<b>Total Harmonic Distortion:</b>	≤ 20% at rated watts

### SURGE PROTECTION\*

Standard	Optional
6kV/3kA	Secondary 10kV/5kA (R Option)

\*Per ANSI C136.2-2015

### WARRANTY

5 Year (Standard)      10 Year (Optional)

Not all product variations listed on this page are DLC qualified. Visit [www.designlights.org/search](http://www.designlights.org/search) to confirm qualifications.

### LUMEN MAINTENANCE

Projected Lxx per IES TM-21 at 25°C

SKU	LXX(10K) @ Hours		
	25,000 HR	50,000 HR	60,000 HR
EPST	L97	L96	L94

Note: Projected LXX based on LM80 (> 10,000 hour testing). Accepted Industry tolerances apply to initial luminous flux and lumen maintenance measurements.

### AMBIENT TEMPERATURE FACTOR

Ambient Temp (°C)	Initial Flux Factor	Ambient Temp (°C)	Initial Flux Factor
10	1.02	30	0.99
20	1.01	40	0.98
25	1.00	50	0.97

### RATINGS

<b>Operating Temperature:</b>	-40°C to 50°C
<b>Vibration:</b>	2.0G (1.5G for Pendant Mount) per ANSI C136.31-2010
<b>LM-79:</b>	Testing in accordance with IES Standards
<b>Environmental:</b>	Complies with the material restrictions of RoHS
<b>Sound:</b>	Class "A" rating
<b>Intrusion Protection (IP):</b>	IP65 rated optical enclosure per ANSI C136.25-2009.

### CONTROLS

<b>Dimming:</b>	Standard - 0-10V Optional - DALI (Option U)
<b>Sensors#:</b>	Photo Electric Sensors (PE) available Lightgrid Compatible

# Not available with Pendant Mount

### APPLICATIONS

- Local Roadways
- Antique Streetscapes
- Parks and Pathways
- University and Business Campuses



CONTROLS ENABLED

## EPST 02

PROD. ID	GEN	VOLTAGE	LUMENS	DISTRIBUTION	CCT	CONTROLS PER ANSI C136.41	TOP TYPE	COLOR	OPTIONS
<b>E = Evolve</b>	02	0 = 120-277V	03	A = Symmetric Type V	30 = 3000K <sup>1</sup>	1 = None	A = Salem	BLCK = Black	R = Secondary 10KV/5KA SPD
<b>P = Post Top</b>		H = 347-480V <sup>3</sup>	04	B = Asymmetric Type III	40 = 4000K	A = 7-Pin PE Receptacle	T = Pendant Mount <sup>2, 5</sup>	DKBZ = Dark Bronze	U = DALI Programmable <sup>4</sup>
<b>S = Salem</b>			05			D = 7-Pin PE Receptacle w/ Shorting Cap			XXX = Special Options
<b>T = Traditional</b>			06			E = 7-Pin PE Receptacle w/ non Dimming PE			
			07						
			08						
			09						

<sup>1</sup> Select 3000K CCT for IDA approved units

<sup>2</sup> Please contact factory for availability

<sup>3</sup> Not available for 03 thru 06 lumen codes

<sup>4</sup> Not available with 347-480V

<sup>5</sup> Need to use **CONTROLS** digit "1" when specifying the **TOP TYPE** "T" pendant mount

OPTICAL CODE	DIST. CODE	LUMEN OUTPUT		WATTAGE		BUG RATINGS		
		4000K	3000K	120-277V	347-480V	4000K	3000K	
03	Symmetric Type V	3000	2800	27	N/A	B2-U2-G1	B2-U1-G1	
04		4000	3800	35	N/A	B2-U2-G1	B2-U2-G1	
05		4900	4600	43	N/A	B3-U2-G1	B3-U2-G1	
06		6100	5700	54	N/A	B3-U2-G1	B3-U2-G1	
07		7000	6600	65		B3-U2-G1	B3-U2-G1	
08		7900	7500	74		B3-U2-G2	B3-U2-G1	
09		8900	8400	85		B3-U2-G2	B3-U2-G2	
03		Asymmetric Type III	3000	2800	27	N/A	B1-U2-G1	B1-U1-G1
04			4000	3800	35	N/A	B1-U2-G1	B1-U2-G1
05	4900		4600	43	N/A	B1-U2-G2	B1-U2-G1	
06	6100		5700	54	N/A	B1-U2-G2	B1-U2-G2	
07	7000		6600	65		B1-U2-G2	B1-U2-G2	
08	7900		7500	74		B2-U2-G2	B2-U2-G2	
09	8900		8400	85		B2-U2-G2	B2-U2-G2	

For additional information on EPST IES files, please click the following link:

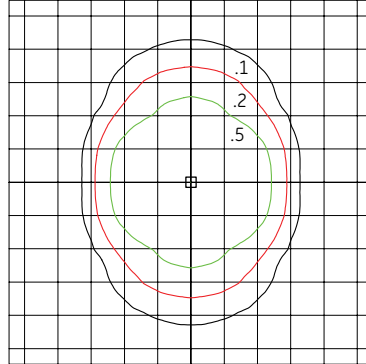
[EPST IES Files](#)



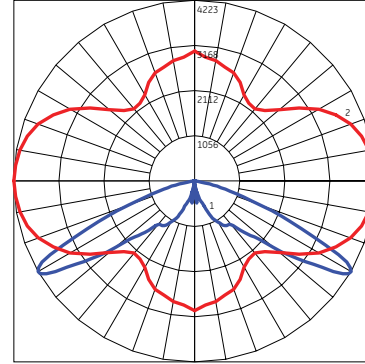
Not all product variations listed on this page are DLC qualified. Visit [www.designlights.org/search](http://www.designlights.org/search) to confirm qualifications.

**EPST02**  
**Symmetric Type V**

8,900 Lumens  
4000K  
EPST02\_05C540\_\_IES



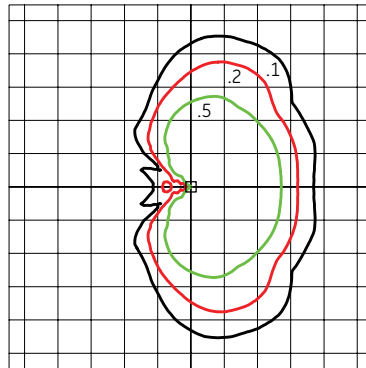
Grid Distance in Units of Mounting Height at 16'  
Initial Footcandle Values at Grade



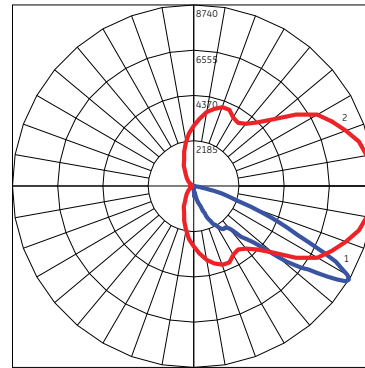
— Vertical plane through horizontal angle of Max. Cd at 0°  
— Horizontal cone through vertical angle of Max. Cd at 60°

**EPST02**  
**Asymmetric Type III**

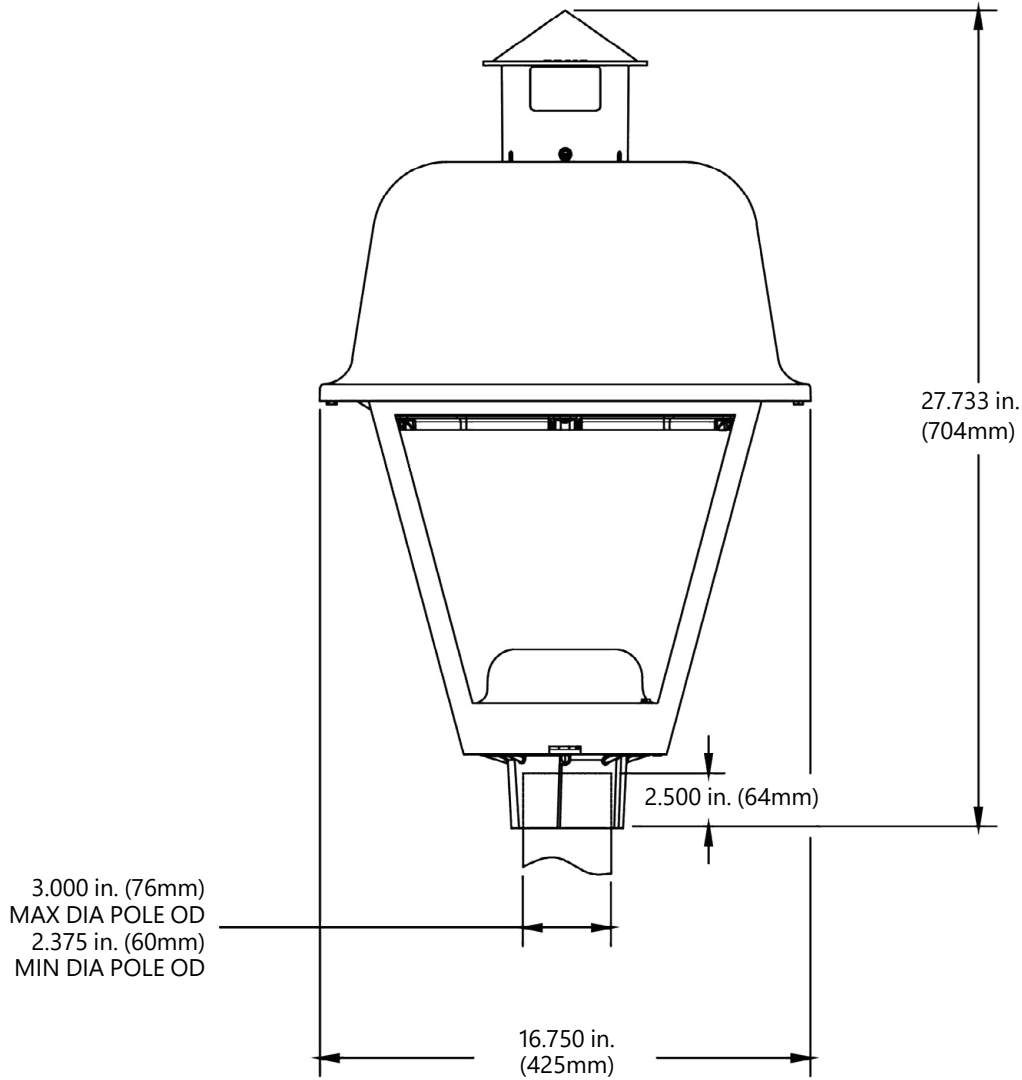
8,900 Lumens  
4000K  
EPST02\_05V440\_\_IES



Grid Distance in Units of Mounting Height at 16'  
Initial Footcandle Values at Grade



— Vertical plane through horizontal angle of Max. Cd at 0°  
— Horizontal cone through vertical angle of Max. Cd at 59°



### WEIGHT

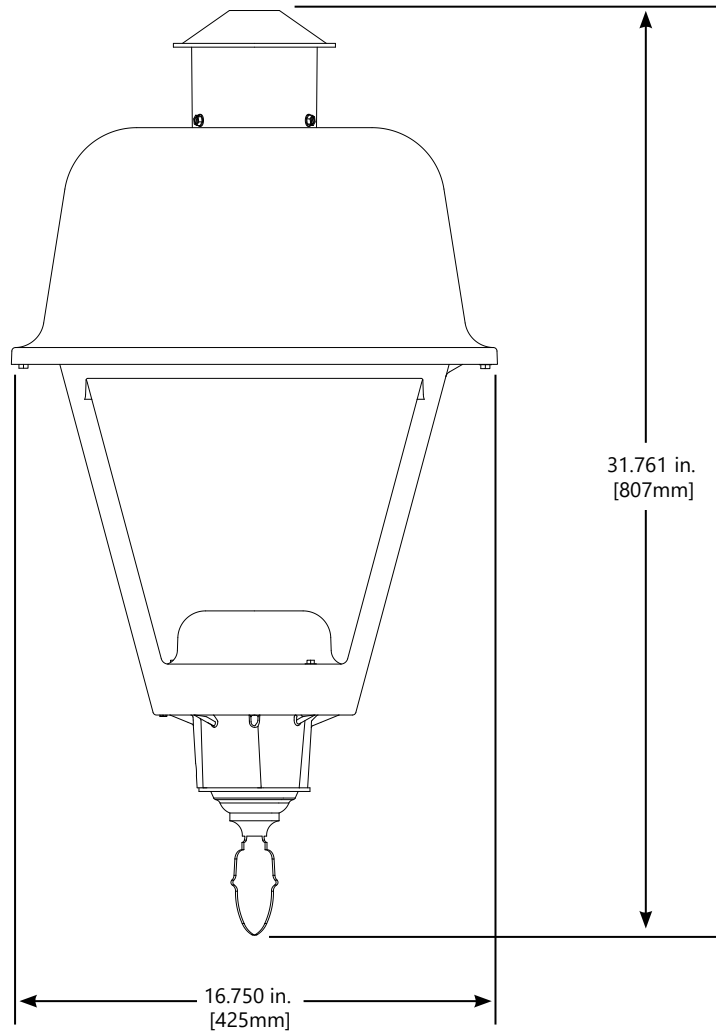
- 23.4 lbs (10.7 kgs) - 27.5 lbs (12.5 kgs)

### EFFECTIVE PROJECTED AREA

- 1.6 sq ft max (0.15 sq m)

### SUGGESTED MOUNTING HEIGHT

- 8-16 ft. (2.5-5 m)



#### WEIGHT

- 25 lbs (11.3 kgs) - 28 lbs (12.7 kgs)

#### EFFECTIVE PROJECTED AREA

- 1.6 sq ft max (0.15 sq m)

#### SUGGESTED MOUNTING HEIGHT

- 8-16 ft. (2.5-5 m)

### Specific Pendant Mounting Information

