



**ANDREW MARTIN**  
FOR **Resource**  
Decor

# DELUXE BAR CABINET

Thank you for choosing this quality product. Be sure to check all packaging materials carefully for small parts that may have loosened inside the carton during shipment and place on a non-abrasive surface.

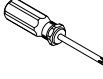
**IMPORTANT**

These parts can be cumbersome and heavy to some people, therefore, the assistance of two or more people are recommended in order to prevent personal injury and ensure the furniture is not damaged during the assembly Process.







**PART LIST**

- A. [1] TOP
- B. [1] BASE
- C. [2] SHELF GLASS

**TOOLS NEEDED**

- Phillips Screwdriver 
- (Not provided)

**HARDWARE LIST**

NO	DESCRIPTION	QTY
1	 ROUND HEAD SCREW M4x25MM	4
2	 FLAT HEAD SCREW M4x15MM	7
3	 HANDLE	3
4	 PHILLIPS BOLT	3
5	 SHELF PIN	8
6	 COVER PLASTIC	8

**INSTRUCTIONS**

1. From the desired location, pre-set the base 16" to 20" from the wall. Check the base leveling, and adjust the levelers at the bottom of the base if necessary. Refer to FIGURE 01.
2. Lift up the top and gently place on top of the base, check the distance on both sides of the top to make sure it is centered correctly. Refer to FIGURE 02.
3. Once the top is set, align and run all screws (1) through to the holes underneath of wood panel and screws (1) through to the holes underneath of the metal frame. See FIGURE 03 & 04.

FIGURE 01

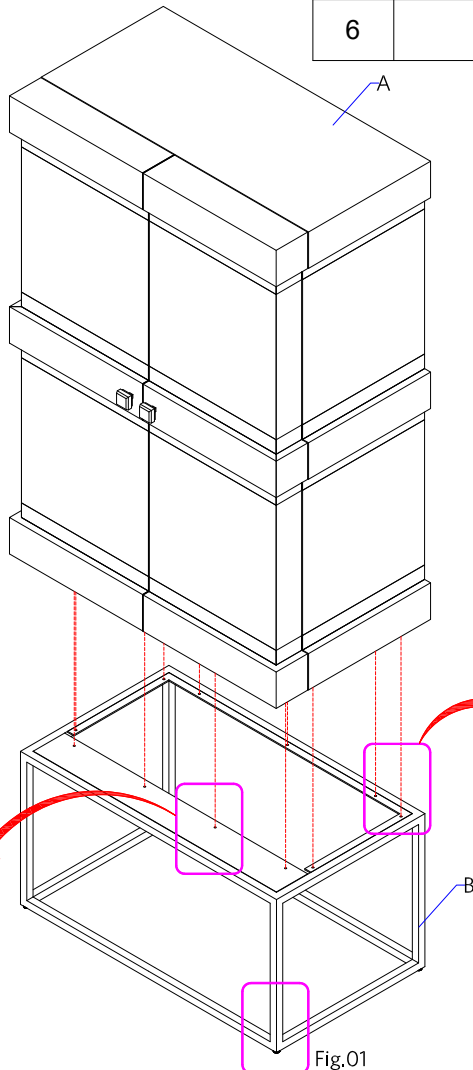
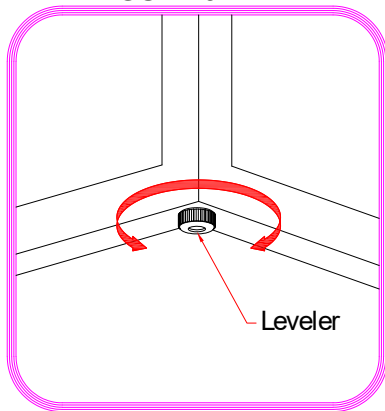


FIGURE 02

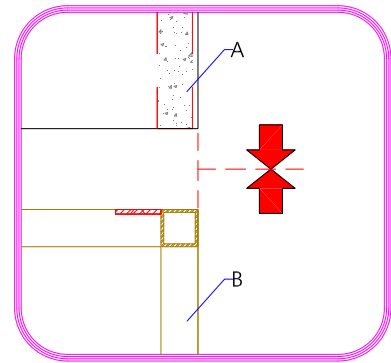


FIGURE 03

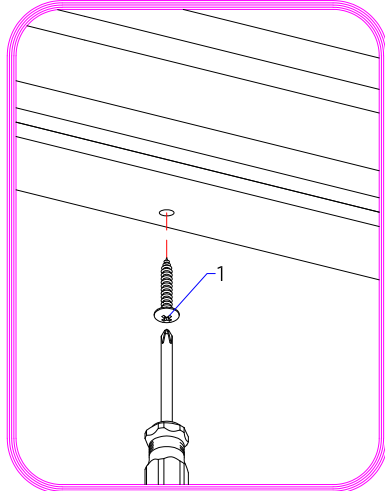
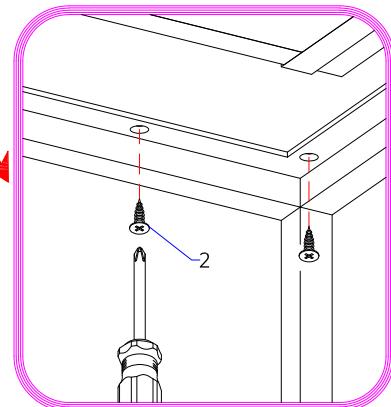


FIGURE 04



4. For packing purpose, the handles were removed and put in hardware bag. Attach the handles (3) to the drawer by using the Phillips head bolts (4) provided. Repeat this steps to attach handle for the doors. Refer to FIGURE 05.
5. Install the cover plastic (6) to the Shelf pin (5). See FIGURE 06.
6. Open the doors then install the shelf pin (5 & 6) and place the shelf glass (C) on the shelf pin . See FIGURE 07.

FIGURE 05

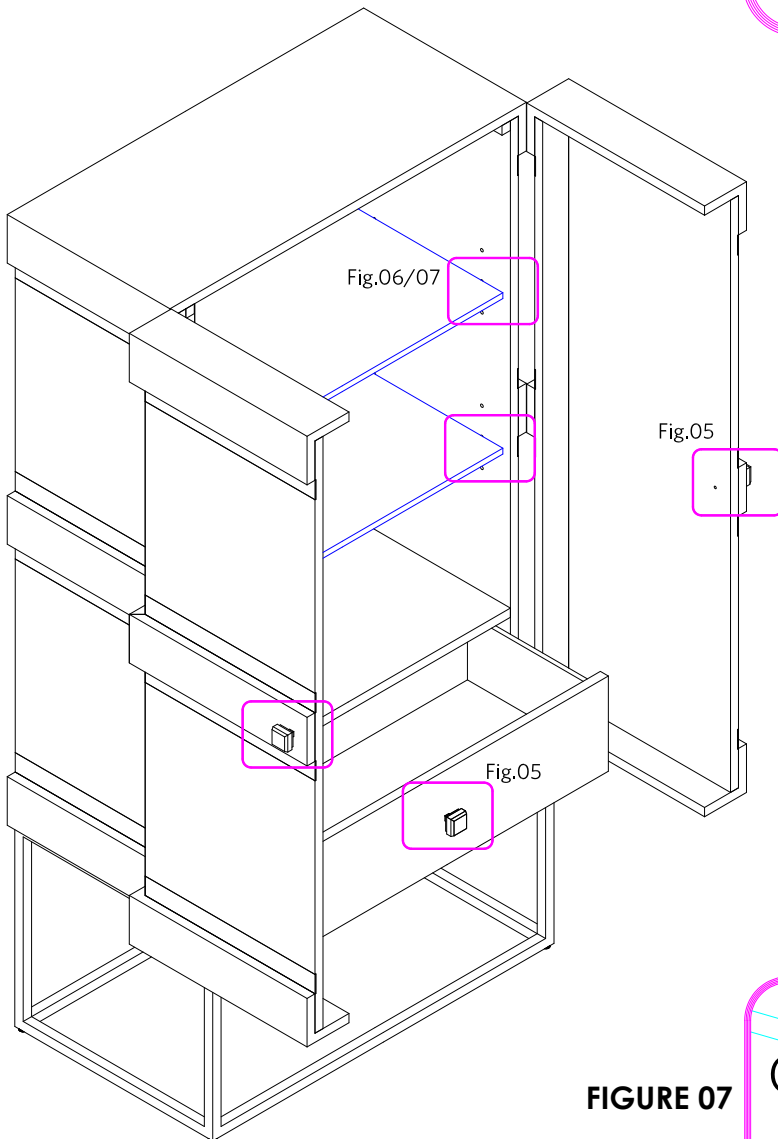
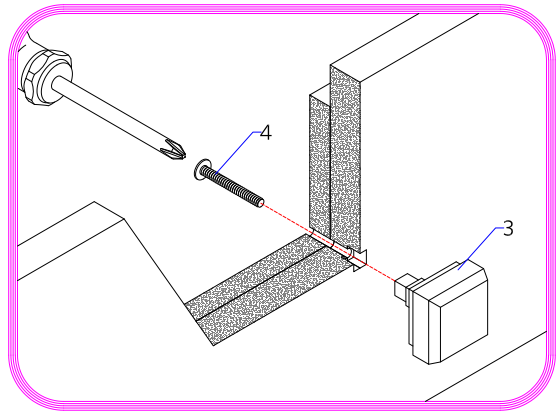


FIGURE 06

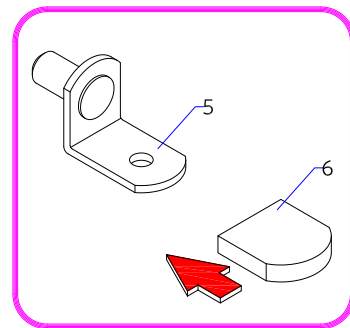
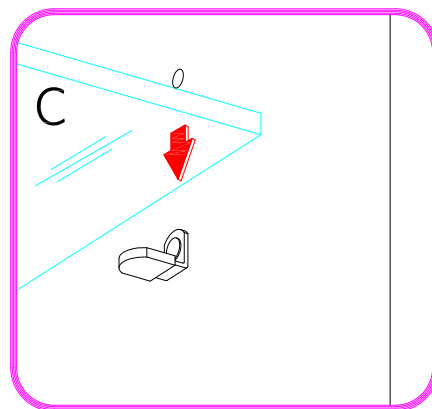


FIGURE 07



## FURNITURE TIPPING RESTRAINT INSTRUCTIONS

Young children may be injured by tipping furniture and the use of a tipping restraint is highly recommended. When properly installed, this restraint could provide protection against the unexpected tipping of furniture due to small tremors, bumps or climbing. We recommend mounting this restraint to a wall stud.

**WARNING:** This product is only a deterrent. It is not a substitute for proper adult supervision.

## INSTALLATION INSTRUCTION

1. Attach two of the Plastic Brackets near the top back edge of the furniture piece by inserting the shorter screws.
2. Determine the final position of the furniture piece. Mark locations on the wall approximately 2" below the brackets mounted to the back of the furniture.
3. Drill a shorter hole into the wall stud. If wall stud is not available, drill a hole into the wall and insert Plastic Anchor. Gently tap the Anchor until the flange is flush with the wall.
4. Attach the second set of brackets by inserting the longer screw through the bracket and into the wall.
5. Carefully move the chest backward within 1.5" to 2" from the wall.
6. Place the furniture so that the brackets on the back edge are in line with the brackets in the wall.
7. Lace one end of the nylon restraint strap down through each bracket. Bring both ends together and slide the beaded end until it snap locks into the keyhole slot.
8. To double lock; return the beaded end back through the keyholes as shown.
9. Check to make sure the straps are securely laced and locked to the brackets.






## CARE INSTRUCTIONS

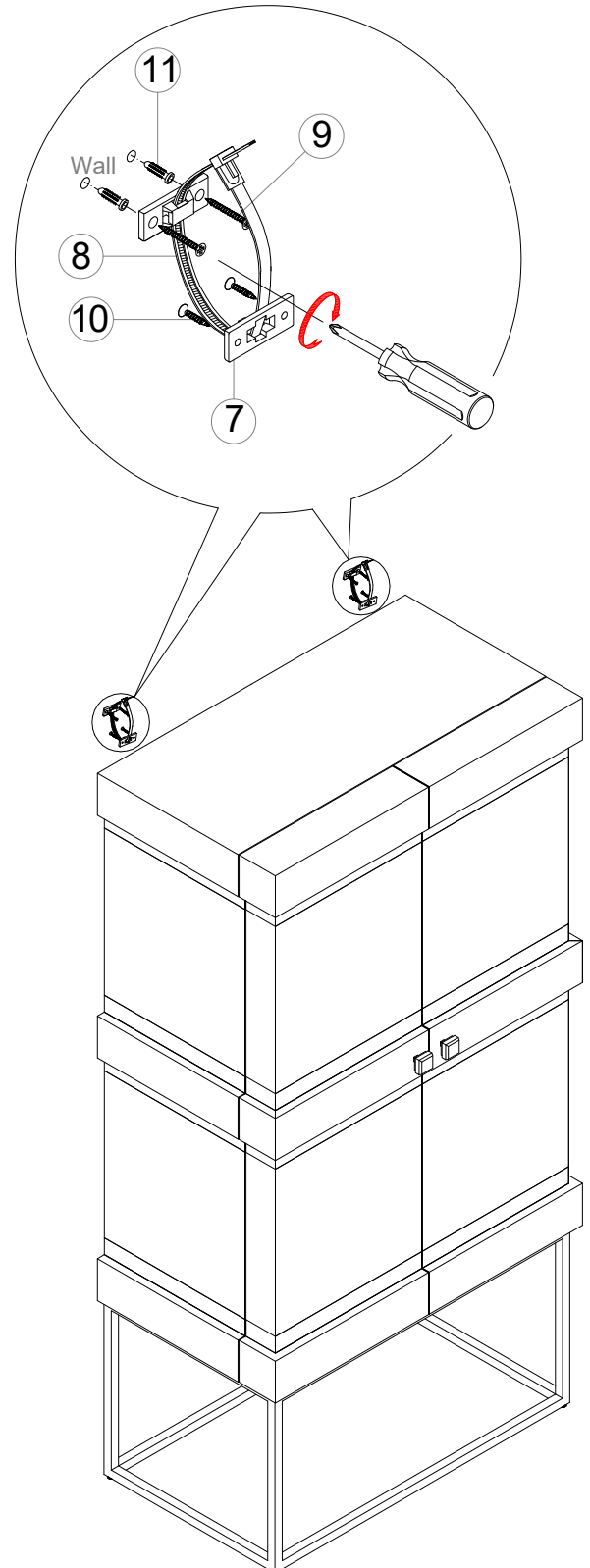
1. Dust often using a clean, soft, dry and lint-free cloth.
2. Blot spills immediately and wipe with a clean, damp, cloth.
3. We do not recommend the use of chemical cleansers, abrasives or furniture polish on our lacquered finish. Product can be cleaned using a damp cloth soaked in warm soapy water followed by wiping clean with a dry lint-free cloth.

## IMPORTANT SAFETY INSTRUCTIONS

1. Please read all instructions carefully before assembling.
2. Keep instructions for future use.
3. Use only vendor supplied hardware to assemble. Using unauthorized hardware could jeopardize the structural integrity of the item.

## HARDWARE LIST

NO	DESCRIPTION	QTY
7	 PLASTIC BRACKET	4
8	 RESTRAINT STRAP	2
9	 PHILLIPS SCREWS (M4 x 30)	4
10	 PHILLIPS SCREWS (M4 x 20)	4
11	 PLASTIC ANCHOR	4



*Thank you for your purchase*