

DETAIL B
SCALE 0.500

SEE DETAIL B

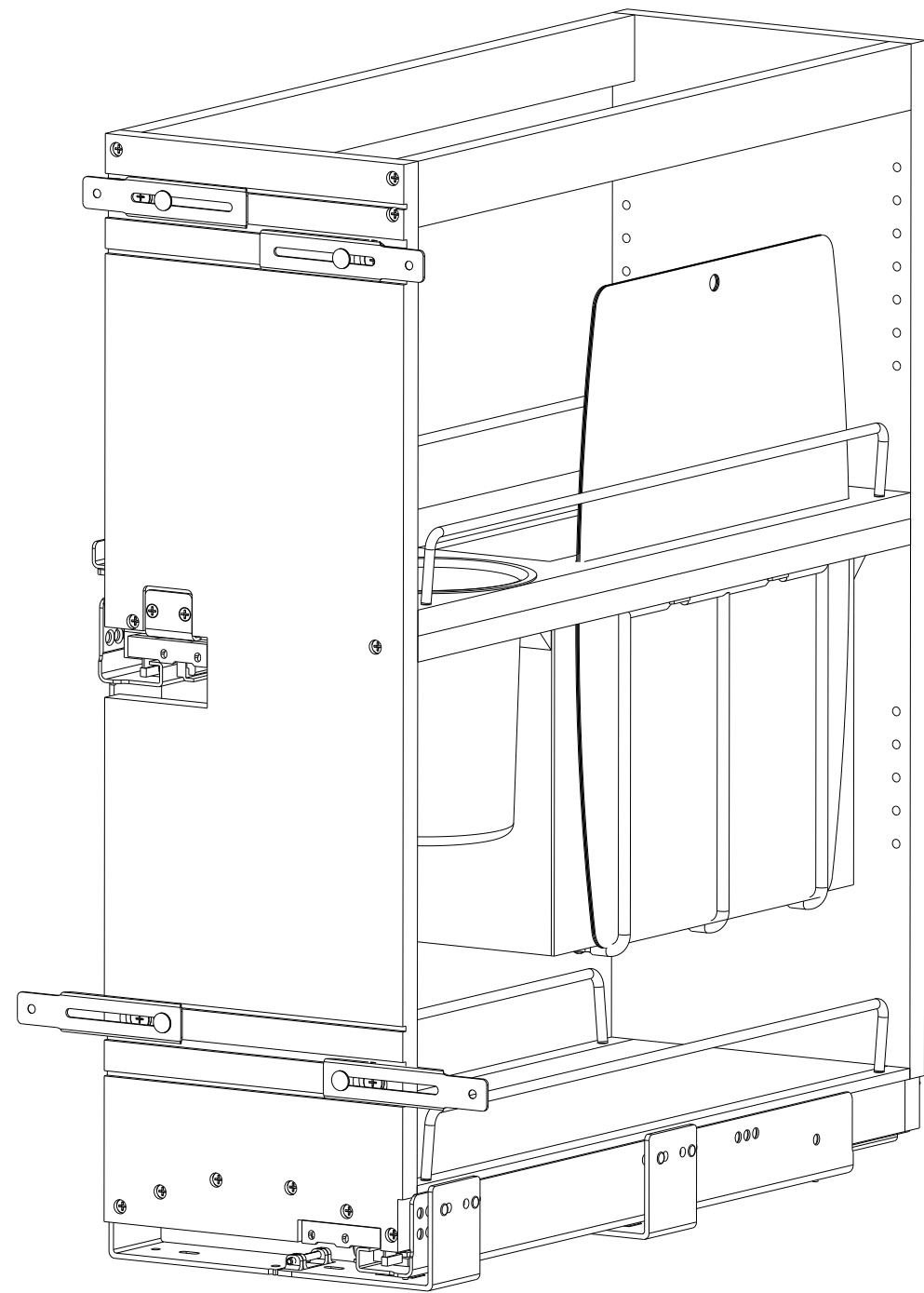
- NOTES:
1. FINISH PER DRAWING QC-448 (CTQ)
 3. BREAK ALL SHARP CORNERS
 4. CRITICAL TO QUALITY SYMBOL (CTQ)

CUSTOMER DRAWING

This drawing is the property of Rev-A-Shelf (RAS) and is disclosed in confidence to the extent its subject matter is original to RAS. Any vendor receiving this drawing from RAS shall hold and use this drawing for the sole benefit of RAS and shall not disclose it to, or use or reproduce it for any third party, or perform any act adverse to the interest of RAS with respect to this drawing without the express written permission of RAS. Vendors shall not revise any physical, dimensional or performance characteristic unless authorized by Rev-A-Shelf Engineering.

REV.	DATE	BY	DESCRIPTION OF CHANGE
A	2/8/22	BKT	ECN22-005

INCH [MM]	AMERICAN PROJECTION	DRAWN	BY	DATE	REV-A-SHELF, INC.	
		BKT	BKT	6/30/20	SIZE	8" BLUM 449 SIDEMOUNT KNIFE BLOCK BASE PULLOUT
TOLERANCES		MATERIAL		DRAWING NO.		SCALE
MAT. DEC. (WOOD) .XX ±.03 [.8mm] (OTHER) .XX ±.02 [.5mm] (ALL) .XXX ±.005 [.13 mm] FRACTIONS ±1/32 [.8 mm]		FINISH		PART NO.		SHEET OF
				449KB-BCSC-8C		1 2



PART DIMENSIONS		
	MIN	MAX
WIDTH	9.29 [236]	9.75 [247.65]
DEPTH	21.75 [552,5]	
HEIGHT	25.60 [650,3]	

MIN CABINET OPENING				
	FACE FRAME	FRAMELESS	INSET FACE FRAME	INSET FRAMELESS
WIDTH	8.50 [215,9]	9.25 [235]	8.50 [215,9]	9.25 [235]
DEPTH	21.75 [552,5]	21.75 [552,5]	22.50 [571,5]	22.50 [571,5]
HEIGHT	25.85 [656,6]	25.85 [656,6]	25.85 [656,6]	25.85 [656,6]

SLIDE SPECIFICATIONS				
SLIDE TYPE	BLUM TANDEM BLUMOTION	SLIDE EXTENSION	FULL	MAX WEIGHT RATING
SLIDE CLOSING	SELF/SOFT	SLIDE LENGTH	21.653 [550]	
SLIDE MOUNTING	BOTTOM	SLIDE FINISH	ZINC	110LB

CUSTOMER DRAWING

This drawing is the property of Rev-A-Shelf (RAS) and is disclosed in confidence to the extent its subject matter is original to RAS. Any vendor receiving this drawing from RAS shall hold and use this drawing for the sole benefit of RAS and shall not disclose it to, or use or reproduce it for any third party, or perform any act adverse to the interest of RAS with respect to this drawing without the express written permission of RAS. Vendors shall not revise any physical, dimensional or performance characteristic unless authorized by Rev-A-Shelf Engineering.

REV.	DATE	BY	DESCRIPTION OF CHANGE
A	2/8/22	BKT	ECN22-005

INCH [MM]	AMERICAN PROJECTION	DRAWN	BY	DATE	REV-A-SHELF, INC.
			BKT	6/30/20	
			MATERIAL	DRAWING NO.	SCALE
			FINISH	449KB-BCSC-8C	0.250
				PART NO.	SHEET OF
				449KB-BCSC-8C	2 2

TOLERANCES
 MAT. DEC.
 (WOOD) .XX ±.03 [8mm]
 (OTHER) .XX ±.02 [5mm]
 (ALL) .XXX ±.005 [13 mm]
 FRACTIONS ±1/32 [8 mm]

ANGLES
 ±1/2°