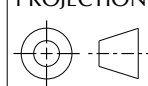
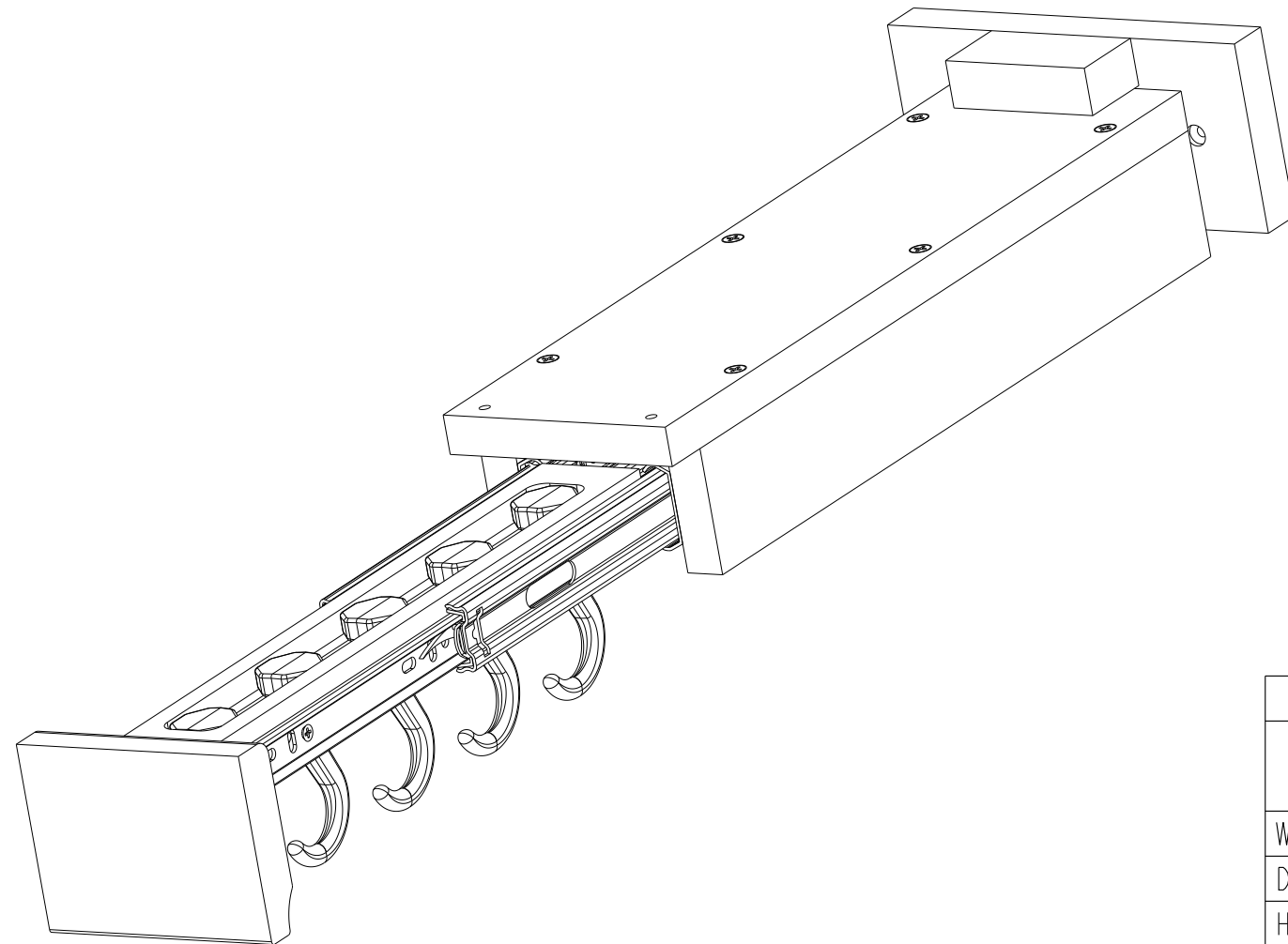


CUSTOMER DRAWING

This drawing is the property of Rev-A-Shelf (RAS) and is disclosed in confidence to the extent its subject matter is original to RAS. Any vendor receiving this drawing from RAS shall hold and use this drawing for the sole benefit of RAS and shall not disclose it to, or use or reproduce it for any third party, or perform any act adverse to the interest of RAS with respect to this drawing without the express written permission of RAS. Vendors shall not revise any physical, dimensional or performance characteristic unless authorized by Rev-A-Shelf Engineering.

REV.	DATE	BY	DESCRIPTION OF CHANGE

INCH [MM]	AMERICAN PROJECTION 	BY	DATE	REV-A-SHELF, INC.	
		JMW	9/25/17		
TOLERANCES		DRAWN	MATERIAL	SIZE	GLIDEWARE BALL BEARING 14"
MAT.	DEC.			FINISH	DRAWING NO.
(WOOD) .XX ±.03 [.8mm]	(OTHER) .XX ±.02 [.5mm]			GLD-W14-SC-5-CUST	0.375
(ALL) .XXX ±.005 [.13 mm]	FRACTIONS ±1/32 [.8 mm]			PART NO.	SHEET OF
				GLD-W14-SC-5-CUST	1 2



PART DIMENSIONS		
	MIN	MAX *
WIDTH	4.00 [101,6]	6.25 [158,8]
DEPTH	14.00 [355,6]	14.71 [373,6]
HEIGHT	4.12 [104,7]	4.92 [125,1]
WEIGHT	5 LB	
DIAMETER	N/A	
RADIUS	N/A	

* MAX INCLUDES OPTIONAL REAR MOUNTING BRACKET

MIN CABINET OPENING				
	FACE FRAME	FRAMELESS	INSET FACE FRAME	INSET FRAMELESS
WIDTH	N/A	N/A	N/A	N/A
DEPTH	14.71 [373,6]	14.00 [355,6]	15.46 [392,7]	14.75 [374,7]
HEIGHT	N/A	N/A	N/A	N/A

SLIDE SPECIFICATIONS				
SLIDE TYPE	BALL BEARING	SLIDE EXTENSION	FULL	MAX WEIGHT RATING
SLIDE CLOSING	NORMAL	SLIDE LENGTH	11.81 [300]	
SLIDE MOUNTING	SIDE	SLIDE FINISH	ZINC	100 LB

NOTE: MCO DIMENSIONS ARE DEPENDENT ON WHAT ACCESSORIES YOU INTEND ON HANGING ON PRODUCT

CUSTOMER DRAWING

This drawing is the property of Rev-A-Shelf (RAS) and is disclosed in confidence to the extent its subject matter is original to RAS. Any vendor receiving this drawing from RAS shall hold and use this drawing for the sole benefit of RAS and shall not disclose it to, or use or reproduce it for any third party, or perform any act adverse to the interest of RAS with respect to this drawing without the express written permission of RAS. Vendors shall not revise any physical, dimensional or performance characteristic unless authorized by Rev-A-Shelf Engineering.

REV.	DATE	BY	DESCRIPTION OF CHANGE

INCH [MM]	AMERICAN PROJECTION	DRAWN	BY	DATE	REV-A-SHELF, INC.
		JMW	JMW	9/25/17	
TOLERANCES		ANGLES ±1/2°	MATERIAL	DRAWING NO.	SCALE
MAT.	DEC.		FINISH	GLD-W14-SC-5-CUST	0.375
(WOOD) .XX ±.03 [8mm]	(OTHER) .XX ±.02 [5mm]			PART NO.	SHEET 2 OF 2
(ALL) .XXX ±.005 [13 mm]	FRACTIONS ±1/32 [8 mm]			GLD-W14-SC-5-CUST	