

Pioneer

TS-WX126B 12" Pre-loaded compact subwoofer system



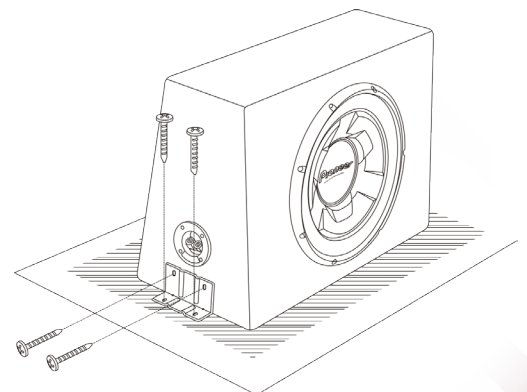
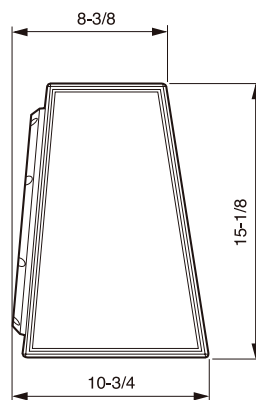
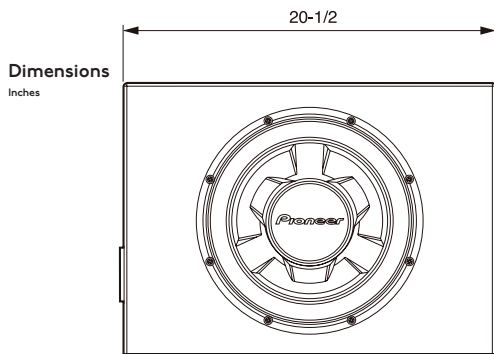
VCCS™
VOICE COIL COOLING SYSTEM

IMC™
INJECTION MOLDED CONE

FEATURES AND TECHNOLOGY

- 12" subwoofer
- Passive (non-amplified) design provides system flexibility
- 4Ω Single Voice Coil (SVC)
- Voice Coil Cooling System (VCCS) utilizes the subwoofer motor structure as a heat sink to lower the operating temperature of the voice coil, increasing power handling and enhancing reliability
- Overhung voice coil for high power handling and increased excursion capability
- Extended magnet pole for improved linearity
- Sealed (acoustic suspension) enclosure designed for deep bass extension and smooth frequency response
- Enclosure and subwoofer specifically matched and tuned for high performance
- Designed for high sound quality and high output in a compact, easy to install application

EASILY UPGRADE TO HIGH PERFORMANCE



| Pioneer WX-series Pre-loaded Subwoofers | TS-WX1210A (also available) | TS-WX1010A (also available) | TS-WX126B | TS-WX106B (also available) |
|--|---|---|---------------------------------------|---------------------------------------|
| System Type | Pre-loaded subwoofer (active) | Pre-loaded subwoofer (active) | Pre-loaded subwoofer (passive) | Pre-loaded subwoofer (passive) |
| Enclosure Type | Acoustic Suspension (sealed) | Acoustic Suspension (sealed) | Acoustic Suspension (sealed) | Acoustic Suspension (sealed) |
| Sound Pressure Level (Sensitivity) | 114dB (± 1.5dB) - measured in-car | 112dB (± 1.5dB) - measured in-car | 75dB (± 1.5dB) | 73dB (± 1.5dB) |
| Frequency Range | 20 Hz to 125 Hz | 20 Hz to 125 Hz | 20 Hz to 4.1 kHz | 20 Hz to 3.7 kHz |
| Continuous Power Handling (RMS) | 350 Watts | 300 Watts | 300 Watts | 250 Watts |
| Maximum Peak Power Handling | 1300 Watts | 1100 Watts | 1300 Watts | 1100 Watts |
| Nominal Impedance | - | - | 4Ω Single Voice Coil (SVC) | 4Ω Single Voice Coil (SVC) |
| Woofer Cone Diameter | 12" | 10" | 12" | 10" |
| Woofer Cone Material | Cellulose Fiber | Cellulose Fiber | Injection Molded Polypropylene (IMPP) | Injection Molded Polypropylene (IMPP) |
| Woofer Surround | Urethane | Urethane | Urethane | Urethane |
| Basket Material | Stamped Steel | Stamped Steel | Stamped Steel | Stamped Steel |
| Spider | Nomex-Cotton | Nomex-Cotton | Conex-Polyester-Cotton | Conex-Polyester-Cotton |
| Magnet Material | Ferrite | Ferrite | Ferrite | Ferrite |
| Magnet Weight | 34 oz | 30 oz | 29 oz | 29 oz |
| Voice Coil Former Material | Polyimide | Polyimide | Aluminum | Aluminium |
| Voice Coil Wire Material | Copper, round wire, 4-layer | Copper, round wire, 4-layer | Copper, round wire, 4-layer | Copper, round wire, 4-layer |
| Internal Amplifier Power Output | 350 Watts | 300 Watts | - | - |
| Maximum Current Consumption | 13A | 13A | - | - |
| Low Pass Filter (LPF) | Adjustable 50 Hz to 125 Hz, -12dB/oct. | Adjustable 50 Hz to 125 Hz, -12dB/oct. | - | - |
| Tone Control | Variable Bass Boost (0 to +12dB, 40 Hz to 100Hz) | Variable Bass Boost (0 to +12dB, 40 Hz to 100Hz) | - | - |
| Remote | Wired, with Bass Control and Gain Control | Wired, with Bass Control and Gain Control | - | - |
| Enclosure Width | 20-3/4" | 17-3/4" | 20-1/2" | 17-5/8" |
| Enclosure Height | 15" | 13-1/4" | 15-1/8" | 13-1/2" |
| Enclosure Depth | 8-5/8" (top) • 11" (bottom) | 7-1/2" (top) • 9-3/8" (bottom) | 8-3/8" (top) • 10-3/4" (bottom) | 7-1/2" (top) • 9-1/4" (bottom) |
| Weight | 23.4 lb | 22.0 lb | 16.1 lb | 13.7 lb |
| Enclosure covering material | High impact grey carpet | High impact grey carpet | High impact black carpet | High impact black carpet |
| Included accessories | Wired remote, power/signal input wiring harness, mounting brackets, mounting screws | Wired remote, power/signal input wiring harness, mounting brackets, mounting screws | Mounting brackets, mounting screws | Mounting brackets, mounting screws |



Pioneer pre-loaded subwoofer systems available in additional sizes and applications:

TS-WX70DA, TS-WH500A, TS-WX130DA (active) • TS-A300B (passive) • TS-SWX3002, TS-SWX2502, TS-SWX2002 (passive, shallow)

⚠ WARNING: Over time, your hearing "comfort level" adapts to higher volumes of sound, so that what sounds "normal" can actually be doing harm. To protect against hearing loss, set your equipment's volume at a low setting, slowly increase it until you can hear it comfortably and clearly, and leave it there. Do not turn up the volume so high that you can't hear what's around you.

Protect your investment. Purchase from an Authorized Pioneer Dealer. Only products purchased from an Authorized Pioneer Dealer (or Authorized Pioneer Internet Dealer) qualify for the manufacturer's warranty and manufacturer's rebates. Pioneer Electronics (USA) Inc., Post Office Box 1760, Long Beach, California 90801 Pioneer Customer Service Department: 1-800-PIONEER

Note: Specifications, designs, and user interfaces are subject to modification without notice. Product colors and illumination may differ in photographs from actual appearance due to effects of printing and photography.

PIONEER, OPEN & SMOOTH and the Pioneer logo are trademarks or registered trademarks of Pioneer Corporation. All other brand, product names, or logos are trademarks or registered trademarks of their respective holders.

2018 TS-WX126B - 1/1/8 v2

©2018 Pioneer Electronics (USA) Inc.

Pioneer Electronics (USA) Inc. proudly supports and encourages you to support the Consumer Technology Association (CTA), Mobile Electronics Certification Program (MECP) for installers and the Specialty Equipment Market Association (SEMA).



CHECK OUT MORE AT PIONEERELECTRONICS.COM/CAR

[FACEBOOK.COM/PIONEERNORTHAMERICA](https://www.facebook.com/pioneernorthamerica)

[TWITTER.COM/PIONEERUSA](https://twitter.com/pioneerusa)

[INSTAGRAM.COM/PIONEERCARAUDIO](https://www.instagram.com/pioneercaraudio)

[YOUTUBE.COM/PIONEERELECTRONICS](https://www.youtube.com/pioneerelectronics)