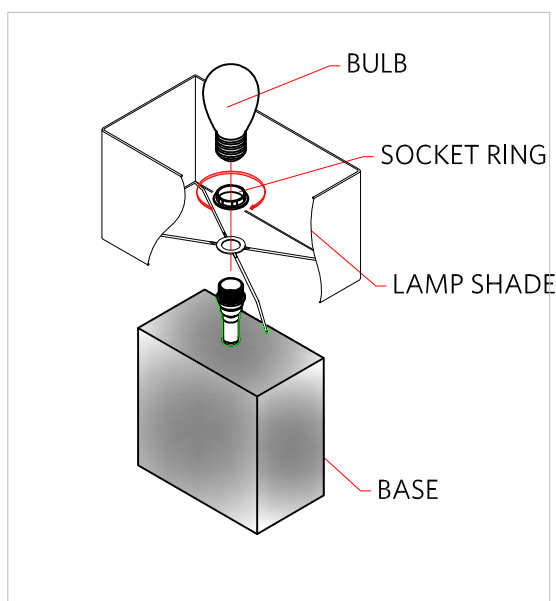
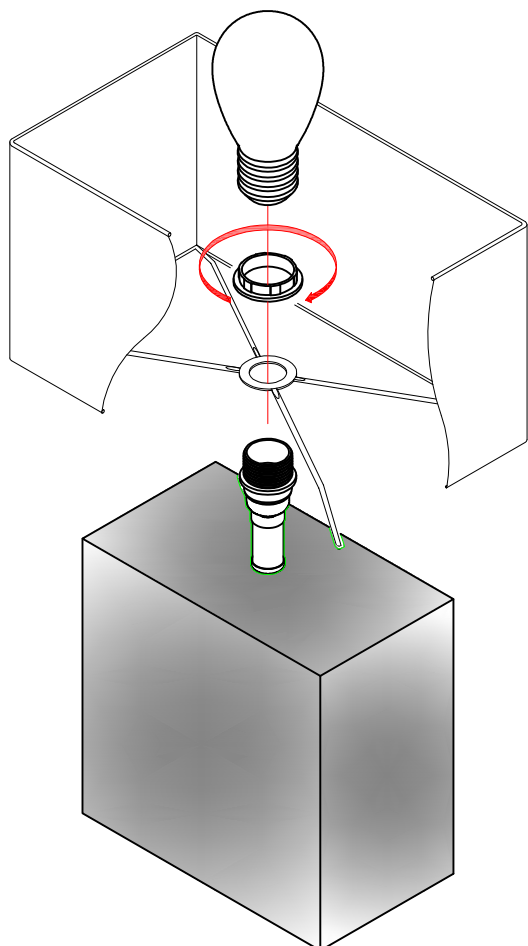




N E L L C O T E

S T U D I O
www.NellcoteStudio.com

UNTITLED CUBE TABLE LAMP



IMPORTANT SAFETY INSTRUCTIONS:

- This fixture has been rated 14 Watt Compact Fluorescent standard bulb (not included). To avoid the risk of fire, do not exceed the recommended wattage.
- If the plug does not fit securely into outlet, do not force it contact a professional electrician.
- Use the plug with an extension cord only if it can be fully inserted into the cord's socket. Never alter the plug in any way.
- The manufacturer and distributor accepts no liability for incorrect installation.
- Maximum Supply Current 1 A

WARNINGS

- All wires are connected; do not remove the lamp from its packaging by pulling on the power cord, as a bad connection may result.
- Do not connect electricity until the lamp is fully assembled.
- To reduce the risk of fire, electrical shock, or personal injury, always turn off and unplug lamp and allow it to cool prior to replacing light bulb.
- Do not touch bulb when fixture is turned on or look directly at lit bulb.
- Keep flammable materials away from lit bulb.
- Suitable for indoor use only.
- If the external flexible cable or cord of this luminaire is damaged, it shall be exclusively replaced by the manufacturer or his service agent or a similar qualified person in order to avoid a hazard.

INSTRUCTIONS

1. Remove the socket ring from the bulb socket
2. Align and insert the shade spider ring into the bulb socket and fasten these with the socket ring.
3. Insert the recommended bulb into the bulb socket as shown in sketch.
4. Plug into proper electrical outlet and test the fixture.

CARE INSTRUCTIONS:

Avoid the use of all polishers, cleaners, and abrasives, as they will damage the finish of your lamp. To remove dust or fingerprints, wipe gently with a soft, clean cloth.