

IMS3PIRDT

IMS DALI-2 Enabled Multi Sensor

Product Description

The IMS3PIRDT occupancy sensor integrates a passive infrared presence detector and a digital microphone. This sensor also provides light intensity (daylight) measurement giving it the ability to work in daylight harvesting applications. The sensor provides a presence detection zone with a diameter of 35.4 feet at a mounting height of 9.8 feet, making it ideal for covering a typical office room or an area in an open office space. At mounting heights ranging from 16.4 to 39.3 feet, the detection area extends to 839.6 square feet. The occupancy sensor mounts with spring snaps in false ceilings.

Construction

- 2.67" X 1.81" deep
- RAL 9010, pure white
- 3 digital inputs (dry contact)
- Illuminance measurement 0-4000lux, resolution 0.125 lux
- Built-in infrared receiver for optional infrared remote control
- Temperature sensor
- Humidity sensor

Electrical

- Powered via DALI bus
- 6 mA / 10 mA at 16 VDC

Environmental

- Operating Temp 32°F to 122°F (0°C to 50 °C)
- Relative Humidity 10% – 90 %, non-condensing

Installation

- Direct installation in false ceilings (spring mount included)
- Flush-mounted installation

Warranty

- 3-year limited system warranty
- Warranty does not cover product failure due to an overvoltage event (power surge)

Project

Catalog

Type

Date



Ordering Information

Example: IMS3PIRDT

Series

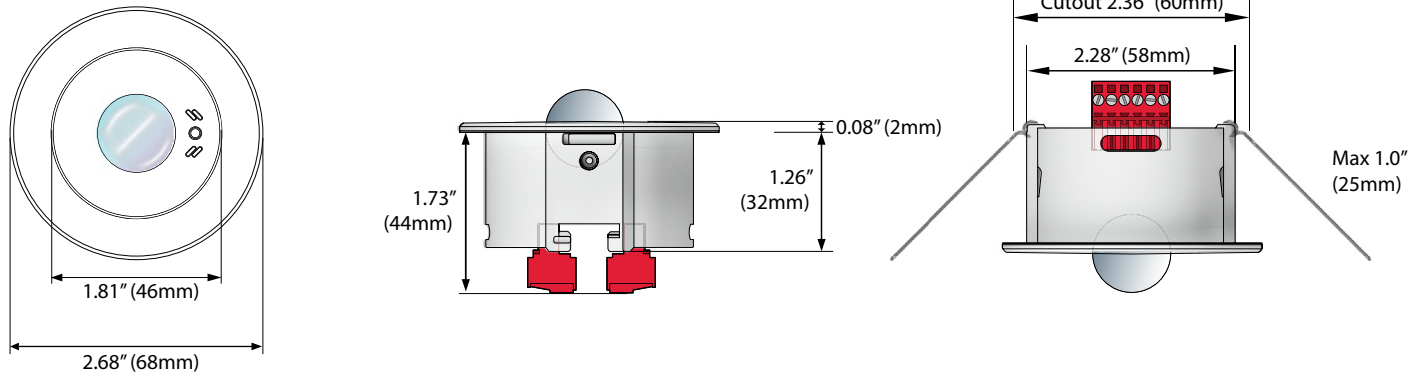
IMS3PIRDT



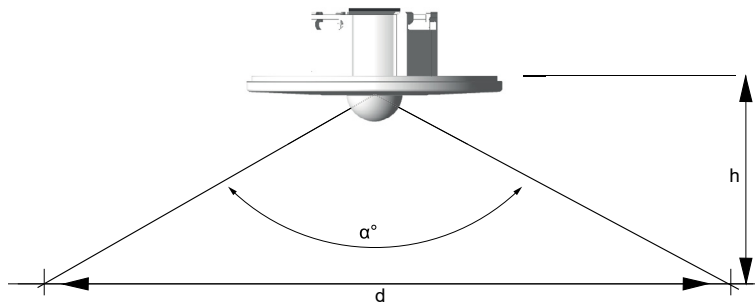
IMS3PIRDT

IMS DALI-2 Enabled Multi Sensor

Dimensions



Sensor Coverage



Mounting Height / Coverage IMS3PIRDT

H (FT)	D (FT)	A (FT)	α [°]
4.9	17	75	122
6.5	23.6	134	122
8.2	29.5	209	122
8.8	31.8	246	122
9.8	35.4	301.8	122
11.4	41.3	410.1	122
13.1	47.2	538	122
14.7	53.1	679	122
16.4	59	839.8	122
19.6	59	839.8	122
26.2	59	839.6	96.7
32.8	59	839.6	84
39.3	59	839.6	73.6