

DEXTER SIDBOARD - 2 DOORS

Thank you for choosing this quality product. Be sure to check all packaging materials carefully for small parts that may have loosened inside the carton during shipment and place on a non-abrasive surface.

IMPORTANT

These parts can be cumbersome and heavy to some people, therefore, the assistance of two or more people are recommended in order to prevent personal injury and ensure the furniture is not damaged during the assembly Process.

PART LIST

- A. [1] SIDBOARD
- B. [2] REMOVABLE SHELF PANELS

HARDWARE LIST

NO	DESCRIPTION	QTY
1	 SHELF PIN	8

INSTRUCTIONS

1. Open all the doors then install the shelf pin (1) and place the shelf panels (B) on the shelf pin . See **FIGURE 01**.
2. Assembly is complete.

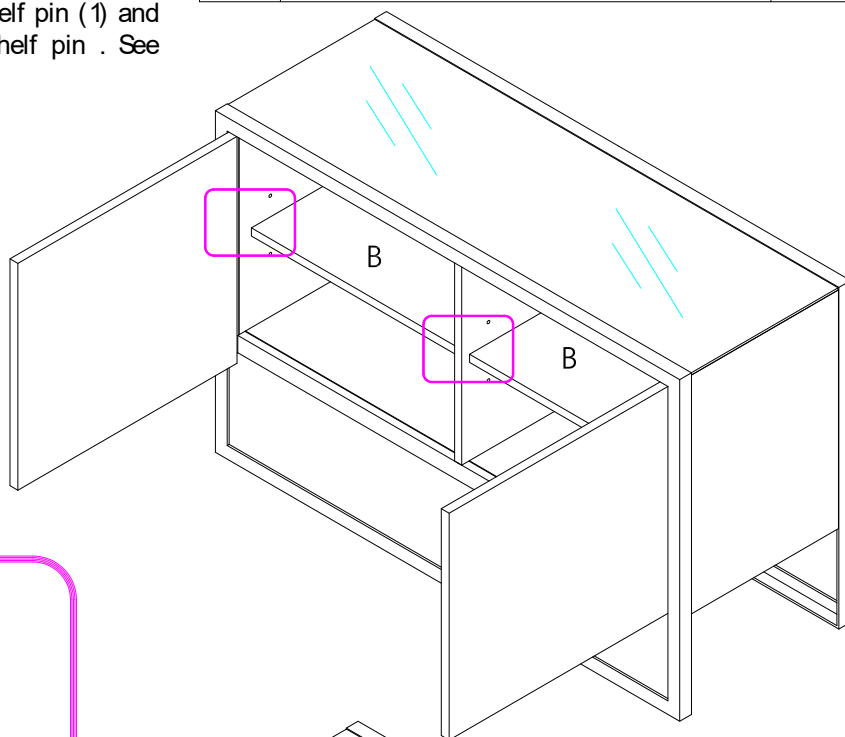
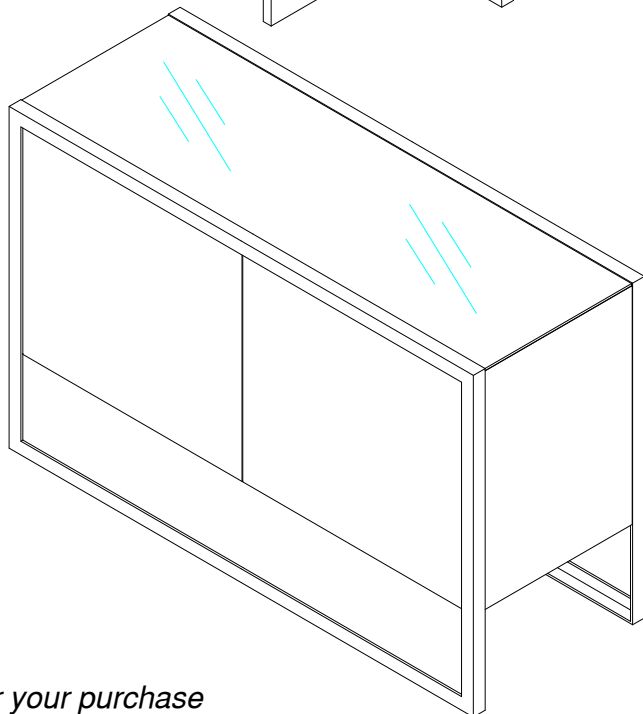
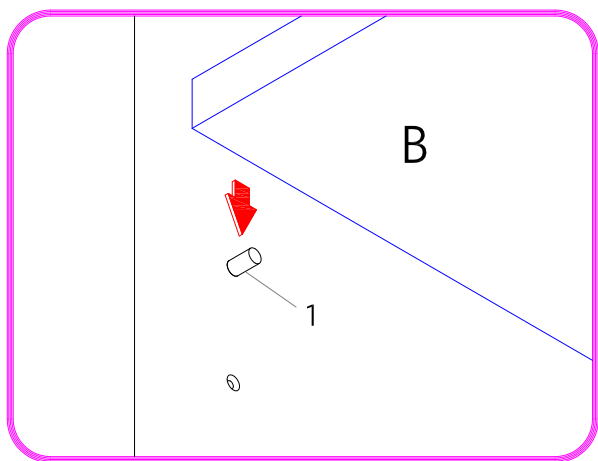


FIGURE 01



CARE INSTRUCTIONS:

- Dust often using a clean, soft, dry lint-free cloth.
- Blot spills immediately and wipe with a clean,damp, cloth.
- We do not recommend the use of chemical cleansers, abrasives, or furniture polish on our lacquered finish.

Thank you for your purchase