

# DGF4

## 4" LED Recessed Adjustable Floating Gimbal

### Product Description

The DGF LED Floating Gimbal Series offers an Airtight, IC rated gimbal that simplifies challenging lighting installations into easily tailored masterpieces. With five CCT Selections from 2700-5000K, the high performing light engine with off-board driver allows for more flexible installations and increased lifetime with improved thermal management. The DGF fixture uses a plenum-rated cable connector to link the downlight module to the remote driver box and then pops into place with its adjustable, spring-loaded retention tabs for a secure fit, eliminating the need for a J-box or recessed housing. Directional lighting is now easier than ever with 90° tilt and 360° rotation making the DGF perfect for architectural accents such as living rooms, hallways, stairways and corridors.

#### Construction

- Fully enclosed aluminum housing
- Adjustable, spring loaded retention tabs ensure secure fixture retention

#### Optical System

- Dual emitter COB enables CCT selection of 2700K, 3000K, 3500K, 4000K, or 5000K
- COB maintains 4-step MacAdams with  $\text{duv} < \pm 0.003$
- 90+ CRI and an  $R9 > 50$
- TIR optic provides smooth, uniform light with a 29° beam angle
- 90° Tilt with 360° rotation of the housing

#### Electrical

- 120VAC 50/60Hz input to driver
- Off-board driver/junction box includes three 1/2" KOs and three-port poke-in connectors
- Dimmable to less than 5% with compatible TRIAC dimmers
- Operating temperature rating of 0°F to 120°F (-18°C to 49°C)
- L70 Lifetime rated for greater than 54,000 hours
- LM-79, LM-80 testing performed in accordance with IESNA standards

#### Finish

- White, Black or Oil-Rubbed Bronze powder coat finish

#### Mounting and Installation

- Spring loaded retention arms allow for easy installation into ceilings up to 1" thick with no need for a recessed housing
- CCT adjusted via switch on driver junction box
- Extension power cables (10', 20') available

#### Listings

- LM-79, LM-80 testing performed in accordance with IESNA standards
- UL/cUL1598 Listed for damp locations
- Energystar Listed
- California Title24/JA8 compliant
- Suitable for use in closets : Compliant with NFPA® 70, NEC® Section 410.16 (A)(3) and 410.16 (C)(5)
- Certified Type IC for direct contact with insulation
- Airtight per ASTM E283
- RoHS Compliant
- Meets FCC Part 15, Subpart B, Class B standards for conducted and radiated emissions
- LED lumen maintenance: L70(9k)>54,000 hrs

#### Warranty

- 5-year limited system warranty standard
- Warranty does not cover product failure due to an overvoltage event (power surge)
- For installations where power surge may be possible, NICOR recommends installing additional surge protection at the electrical distribution panel

Project

Catalog

Type

Date



### Fixture Adjustments

Tilt of 90° and rotation up to 360°



**DGF4**  
**9W**

LED Recessed Floating Gimbal



## Ordering Information

### Ordering

Example: DGF43120SRDWH

Series	Version	Input Voltage	CCT's	Shape	Trim Color
DGF4	3 (Version 3)	120 (V)	S (Selectable 2700K-5000K)	RD (Round)	WH (White)
					BK (Black)
					OB (Oil-Rubbed Bronze)

Specifications and dimensions subject to change without notice.

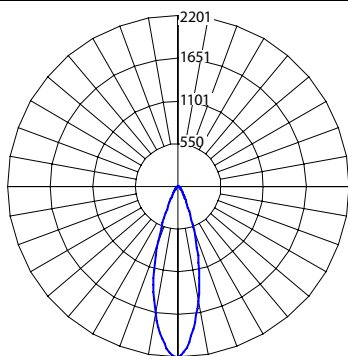
### Accessories

4" Rough In Flat Template	<b>ROUGHIN-TEMPLATE-4</b>	Multi-diameter Mounting Frame	<b>MULTIFRAME-346-1</b>
3", 4", 6" Rough In Flat Template	<b>ROUGHIN-TEMPLATE-346</b>	20' Extension Cable	<b>DRIVER-EXTCABLE-20</b>
10' Extension Cable	<b>DRIVER-EXTCABLE-10</b>		

### Photometric Data

#### DGF4 2700K

Input Voltage (VAC)	120V
System Level Power (W)	8.9
Delivered Lumens (Lm)	721
System Efficacy (Lm/W)	80.8
Correlated Color Temp (K)	2779
Color Rendering Index (CRI)	96 R9>70
Beam Angle	29°
Spacing Criteria	0.47



#### Intensity Summary (Candle Power)

Angle	Mean CP
0	2184
5	2010
15	1027
25	302
35	95
45	39
55	25
65	18
75	11
85	3
90	0

#### CCT Data Multiplier

3000K	1.062
3500K	1.114
4000K	1.155
5000K	1.165

#### Cone of Light Tabulation

Mounted height (Feet)	Footcandles Beam Center	Diameter (Feet)
137.2	1.9	2.0
60.7	2.9	3.0
33.7	3.9	4.0
21.1	4.9	5.1
14.2	5.8	6.1
10.1	6.8	7.1
7.4	7.8	8.1

#### Zonal Lumen Summary

Zone	Lumens	% of Luminaire
0-30	582	80.5%
0-40	640	88.5%
0-60	691	95.6%
0-90	721	100%
90-180	0	0%
0-180	721	100%

#### Performance Data - Round

CCT Setting	Lumens	Watts	Lumens/Watt
2700K	721	8.9	80.8
3000K	766	8.8	86.9
3500K	803	8.7	92.5
4000K	833	8.7	95.7
5000K	840	8.9	94.1

#### Recommended Dimmers\*

Legrand Adorne sofTap DTP703TU  
Lutron Caseta PD-10XN  
Lutron Skylark SELV 300P  
Leviton Decora Smart DW6HD

\*Not a complete list.  
Check compatibility before installation.

### Dimensions

