

LUMELWG Series

LED | Wet Location
Emergency Light



CUSTOMER NAME _____

Project Name _____

Date _____ Type _____

Catalog Number _____

- LED life-cycle of more than 10 years
- Quick installation
- Dual-voltage 120 or 277V AC input
- Includes long-life 9.6VDC Nickel Cadmium battery for UL recognized 90 minute operation
- Offers extended runtime up to 3 hours
- Wet Location Listed (0°C to 50°C)
- Includes water-proof test switch and AC-On indicator

SPECIFICATIONS

APPLICATION

- The LUMELWG Series can be applied in areas that are susceptible to rain and severe moisture like pool areas, parking decks, and other commercial applications

CONSTRUCTION

- Grey housing made of corrosion resistant UV stabilized polycarbonate
- Lamp-heads are fully adjustable, sealed and gasketed
- Lamp-head consists of metallized high-performance reflector and 15 ultra-bright LEDs with tempered glass lens

INSTALLATION

- Includes external mounting brackets for ease of installation

ELECTRICAL

- Includes long-life Nickel Cadmium (NiCad) or Nickel Metal Hydride(NiMh) battery for UL recognized 90 minute emergency lighting

CERTIFICATIONS

- UL924 Listed for Damp Location
- NFPA 101 and NFPA 70
- OSHA

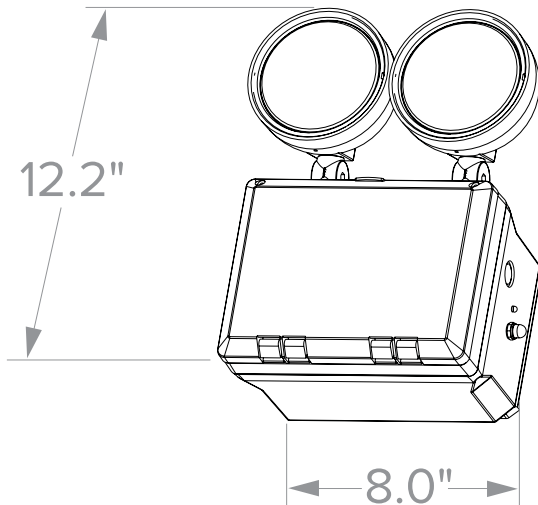
WARRANTY

- 2 year full unit warranty
- See Lumination Standard Warranty for additional information

ORDERING GUIDE

| Catalog Number | Description |
|----------------|-------------------------------------|
| LUMELWG | Wet Location LED Unit, Gray Housing |

DIMENSIONS



| | |
|------------------------|----------|
| Single Carton Weight | 2.5 lbs. |
| Master Carton Quantity | 6 each |



CUSTOMER NAME _____

Project Name _____

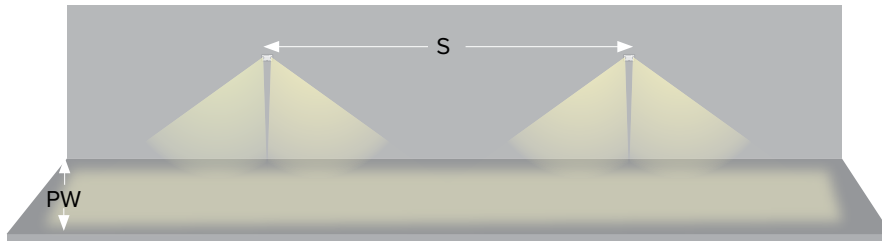
Date _____ Type _____

Catalog Number _____

ENERGY CONSUMPTION

| | 120VAC | | 277VAC | |
|----------------|--------|-------|--------|--------|
| | Watts | Amps | Watts | Amps |
| LUMELHL | 2.7W | 0.03A | 2.7W | 0.013A |

APPLICATION INFORMATION



| | Multiple Unit Spacing (7.5' Mounting Height) | |
|----------------|---|-------------|
| | Path Width (PW) | Spacing (S) |
| LUMELOD | 6' | 16' |

Note: Meets Life Safety Code minimum illuminance of 0.1 fc and average illuminance of 1.0 fc. Assumes open space with no obstructions, ceiling height of 9' and reflectances of 80/50/20. Photometry files available on the Lumination website