



ECLS Soffit

LED Canopy Light

The Evolve® Canopy LED Soffit (ECLS) offers energy efficiency and quality of light in a sleek low-profile look and style. The ECLS features a diffused aperture which spreads the source lumens for even light distribution and low glare. To be used for sealed deck applications only (enclosed canopy or soffit).



Construction

Housing:	Aluminum die cast enclosure. Integral heat sink for maximum heat transfer
Lens:	Impact resistant tempered glass
Paint:	Corrosion resistant polyester powder paint, minimum 2.0 mil thickness Standard = Black, Dark Bronze Gray, White (RAL & custom colors available)
Weight:	10 lbs (4.5 kg) - 12.5 lbs (5.7 kg)

Optical System

Lumens:	3,600 - 7,100
Distribution:	Symmetric Medium
Efficacy:	119 - 138 LPW
CCT:	3000K, 4000K, 5000K
CRI:	≥70

Electrical

Input Voltage:	120-277V & 347V
Input Frequency:	50/60Hz
Power Factor:	>90% at rated watts
Total Harmonic Distortion:	<20% at rated watts
Surge Protection:	Standard Surge 6kV/3kA

*Per ANSI C136.2-

Warranty

5 Year (Standard)

Lumen Maintenance

Projected Lxx per IES TM-21-11 at

LUMEN CODES	LXX(H0K) @ HOURS		
	25,000 HR	50,000 HR	60,000 HR
T5	L96	L92	L91
A5	L95	L93	L92
B5	L95	L93	L92

Note: Projected Lxx based on LM80 (≥ 10,000 hour testing). Accepted industry tolerances apply to initial luminous flux and lumen maintenance measurements.

Luminaire Ambient Temperature Factor

AMBIENT TEMP (°C)	INITIAL FLUX FACTOR	AMBIENT TEMP (°C)	INITIAL FLUX FACTOR
10	1.02	30	0.99
20	1.01	40	0.98
25	1.00	50	0.97

Ratings

Operating Temperature:	-40°C to 50°C
Vibration:	1.5G per Per ANSI C136.31-2010:
LM-79:	Testing in accordance with IESNA Standards

Controls

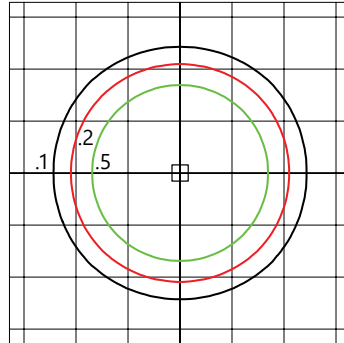
Dimming:	Standard - 0-10V
Sensors:	Motion with Integrated Photoelectric control, Daintree Compatible



Not all product variations listed on this page are DLC qualified. Visit www.designlights.org/search to confirm qualifications.

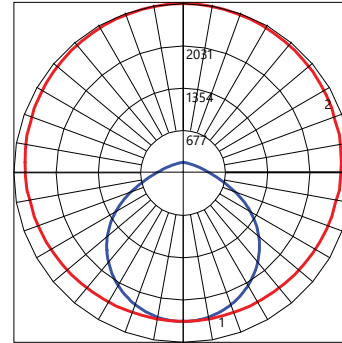
ECLS - Symmetric Medium

7,100 lumens, 5000K
ECLS01_B5SM750_IES



- Mounting Height at 15'
- Initial Footcandle at Grade

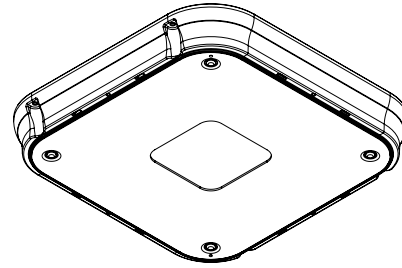
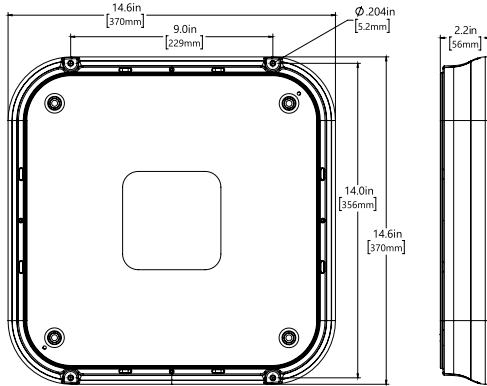
2708



- Vertical plane through horizontal angle of Max. Cd at 90°
- Horizontal cone through vertical angle of Max. Cd at 1°

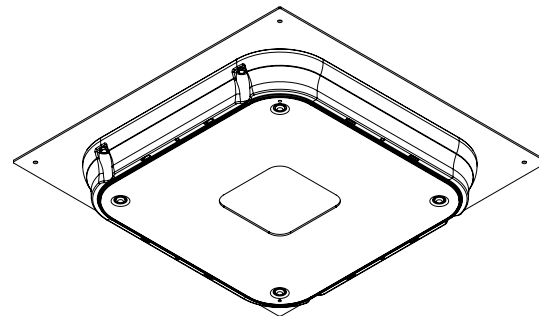
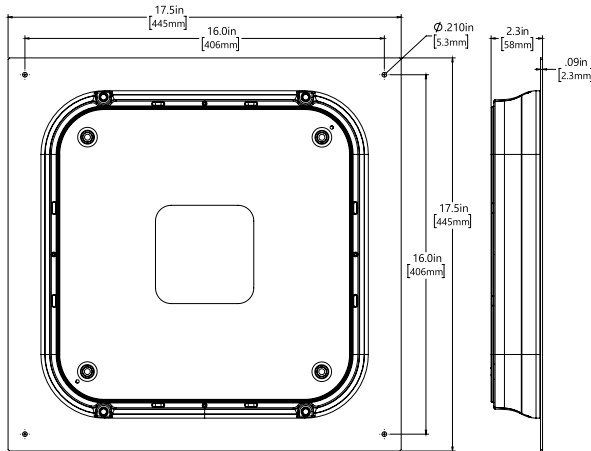
Surface Mount: SM

TOTAL WEIGHT (LBS.): 10.1



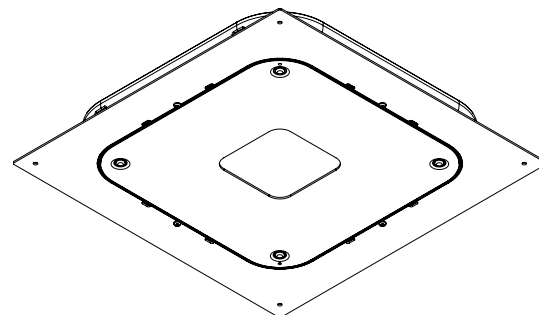
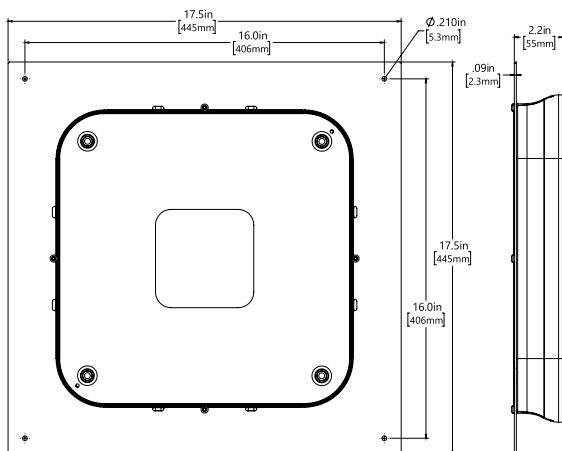
Surface Mount with Beauty Plate: SB

TOTAL WEIGHT (LBS.): 10.7



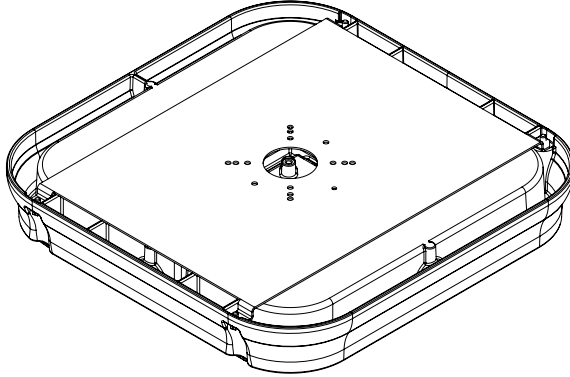
Recessed Mount: RM

TOTAL WEIGHT (LBS.): 12.4



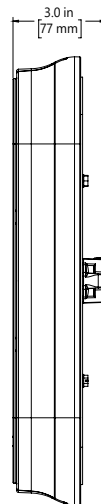
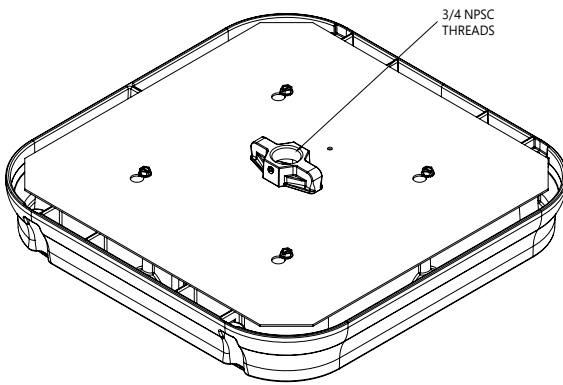
J-Box Mount (JM) for 3" or 4" J-box

Total Weight (lbs.): 11.1



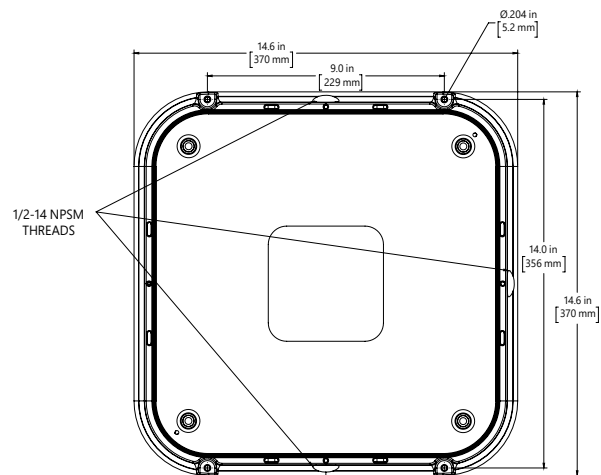
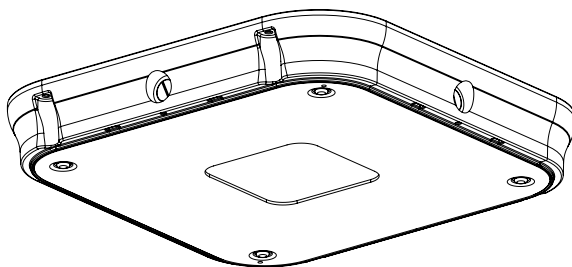
Pendant Mount (PM) *for rigid conduit only

Total Weight (lbs.): 11.5



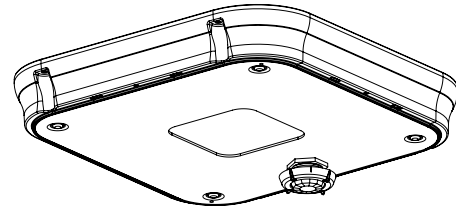
Side Conduit Holes: SC

Total Weight (lbs.): XX



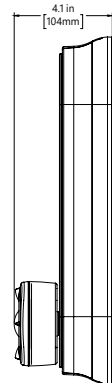
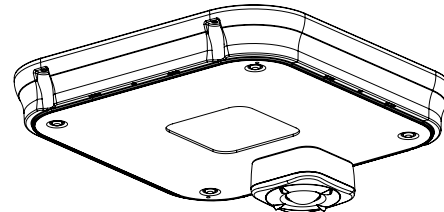
A Motion Sensing Option - Wattstopper: Sensor FSP-211, Lens FSP-L2

Recommended Mounting Height:	8-25'
Coverage Radius:	15-20' (4.6-6.1 m)
Lateral Coverage:	360°
Default Settings:	
Output:	Occupied - 100% / Unoccupied - 50%
PE Sensor:	Enabled
Ramp/Fade:	5 Minutes/5 Minutes
	Adds < 1W to fixture power rating
	Field programmable using FSIR-100 hand held programmer



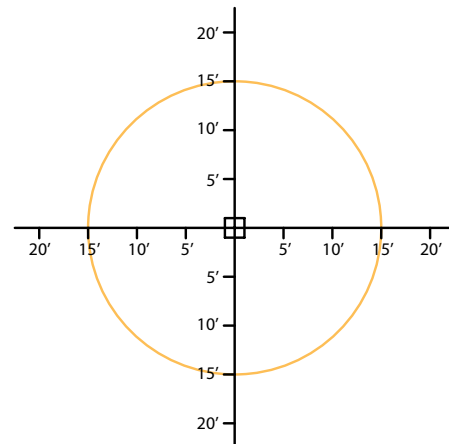
B Motion Sensing Option - Daintree: WHS100-BM

Recommended Mounting Height:	8-25'
Coverage Radius:	15-20' (4.6-6.1 m)
Lateral Coverage:	360°
Default Settings:	
Output:	Occupied - 100%/Unoccupied - 50%
PE Sensor:	Enabled
Ramp/Fade:	5 Minutes/5 Minutes
	Adds < 1W to fixture power rating
	Requires Daintree Enterprise and wide area control (WAC)



Approximate Sensor Pattern for A & B Option

- Canopy Fixture 15 ft. Mounting Height

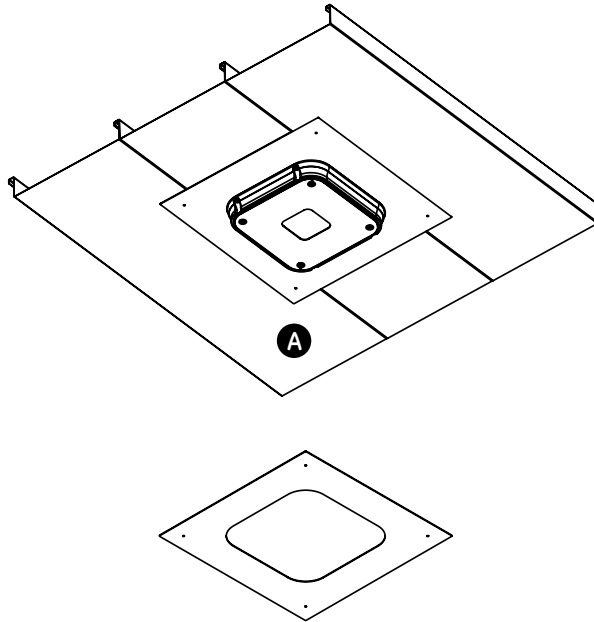


CUSTOMER NAME _____

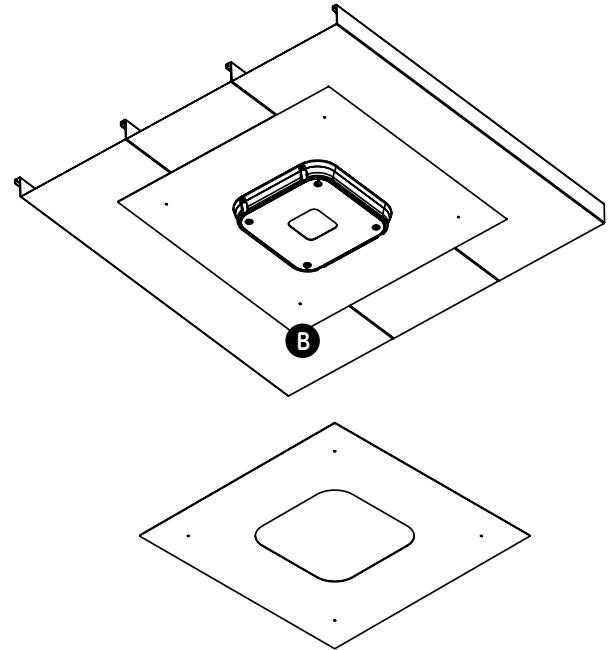
PROJECT NAME _____

DATE _____ TYPE _____

CATALOG NUMBER _____



mounting



Beauty Plates

- J-Box
- Pendant Mount
- Surface Mount
- Surface Mount with 17.5" x 17.5" Beauty Plate
- Recessed Mount with 17.5" x 17.5" Mounting Plate

- 24" & 32" Escutcheon plates designed to cover unsightly canopy ceilings

PRODUCT	SERIES	DESCRIPTION	COLOR
ECL	E = Escutcheon Plate	1 = 24" x 24" ECLS	BLCK = Black
		2 = 32" x 32" ECLS	DKBZ = Dark Bronze
		3 = 24" x 24" ECLP	WHTE = White
		4 = 32" x 32" ECLP	