

Evolve[®] LED Canopy

Soffit (ECLS)

Project Name _____

Date _____ Type _____

Notes _____



The **Evolve[®]** Canopy LED Soffit (ECLS) offers energy efficiency and quality of light in a sleek low-profile look and style. The ECLS features a diffused aperture which spreads the source lumens for even light distribution and low glare. To be used for sealed deck applications only (enclosed canopy or soffit).



CONSTRUCTION

Housing:	Aluminum die cast enclosure. Integral heat sink for maximum heat transfer
Lens:	Impact resistant tempered glass
Paint:	Corrosion resistant polyester powder paint, minimum 2.0 mil thickness Standard = Black, Dark Bronze Gray, White (RAL & custom colors available)
Weight:	10 lbs (4.5 kg) - 12.5 lbs (5.7 kg)

OPTICAL SYSTEM

Lumens:	3,600 - 7,100
Distribution:	Symmetric Medium
Efficacy:	119 - 138 LPW
CCT:	3000K, 4000K, 5000K
CRI:	≥70

ELECTRICAL

Input Voltage:	120-277V & 347V
Input Frequency:	50/60Hz
Power Factor:	>90% at rated watts
Total Harmonic Distortion:	<20% at rated watts
Surge Protection:	Standard Surge 6kV/3kA

*Per ANSI C136.2-2015

WARRANTY

5 Year (Standard)

LUMEN MAINTENANCE

Projected Lxx per IES TM-21-11 at 25°C

Lumen Codes	LXX(10K) @ Hours		
	25,000 HR	50,000 HR	60,000 HR
T5	L96	L92	L91
A5	L95	L93	L92
B5	L95	L93	L92

Note: Projected Lxx based on LM80 (≥ 10,000 hour testing). Accepted industry tolerances apply to initial luminous flux and lumen maintenance measurements.

LUMINAIRE AMBIENT TEMPERATURE FACTOR

Ambient Temp (°C)	Initial Flux Factor	Ambient Temp (°C)	Initial Flux Factor
10	1.02	30	0.99
20	1.01	40	0.98
25	1.00	50	0.97

RATINGS

Operating Temperature:	-40°C to 50°C
Vibration:	1.5G per Per ANSI C136.31-2010:
LM-79:	Testing in accordance with IESNA Standards

CONTROLS

Dimming:	Standard - 0-10V
Sensors:	Photo Electric Sensors (PE) available, Daintree Compatible

Evolve® LED Canopy

Soffit (ECLS)

Catalog Logic & Spec Tables

Project Name _____

Date _____ Type _____

Notes _____

ECLS 01

7

PROD. ID	GEN	VOLTAGE	OPTIC CODE	DISTRIBUTION ³	CRI (min)	CCT	DIMMING	CONTROLS	MOUNTING	COLOR	OPTIONS
E = Evolve	01	0 = 120-277	T5 = 3,700 lms	SM = Symmetric Medium	7 = 70	30 = 3000K	1 = None	1 = None	JM = J-Box Mount	BLCK = Black	SC = Side Conduit Holes
C = Canopy		D = 347 ¹	A5 = 5,400 lms			40 = 4000K	A = Wired to Control	A = Motion Sensor IR Program ²	PM = Pendant Mount	DKBZ = Dark Bronze	Y = Coastal Finish ³
LS = Soffit			B5 = 7,100 lms			50 = 5000K	D = External Wired 0-10V/Leads	B = Daintree Motion Sensor	RM = Recessed Mount	GRAY = Gray	XXX = Special Options
									SB = Surface Mount w/ Beauty Plate	WHITE = White	
									SM = Surface Mount		

¹ Not Available with Optical Code T5

² Requires Dimming Option A

³ Recommended for installations within 750 feet from coast. Lead time varies, check with factory.

OPTICAL CODE	DIST CODE	TYPICAL LUMENS			TYPICAL SYSTEM WATTAGE	
		3000K	4000K	5000K	120-277V	347-480V
T5	SM	3600	3700	3700	29	N/A
A5		5200	5400	5400	39	43
B5		6900	7100	7100	54	58

For additional information on ECLS IES files, please click the following link:

[ECLS IES Files](#)

Evolve[®] LED Canopy

Soffit (ECLS)

Photometric Plots

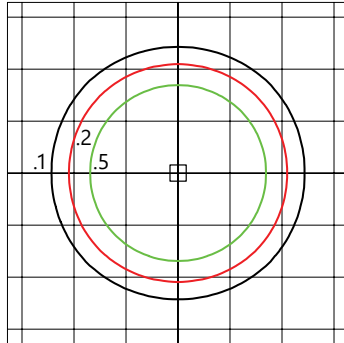
Project Name _____

Date _____ Type _____

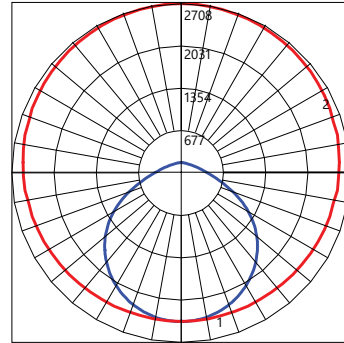
Notes _____

ECLS - Symmetric Medium

7,100 lumens, 5000K
ECLS01_B5SM750_IES



- Mounting Height at 15'
- Initial Footcandle at Grade



- Vertical plane through horizontal angle of Max. Cd at 90°
- Horizontal cone through vertical angle of Max. Cd at 1°

Evolve[®] LED Canopy

Soffit (ECLS)

Mounting

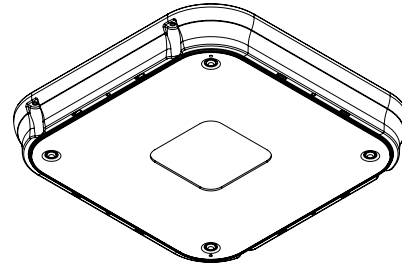
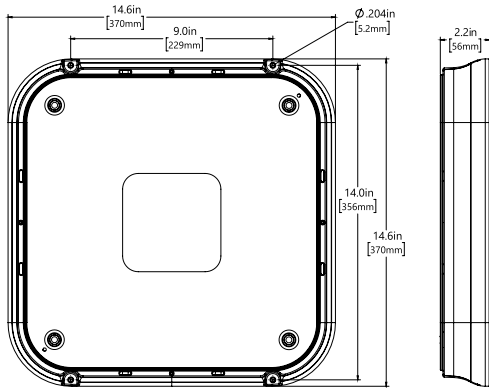
Project Name _____

Date _____ Type _____

Notes _____

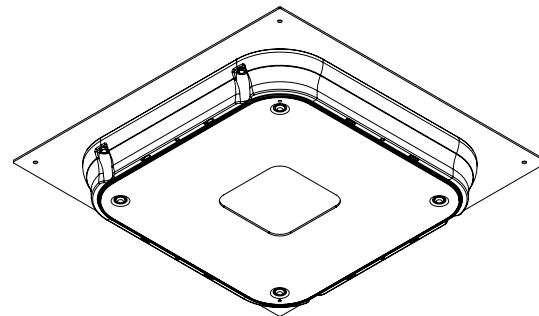
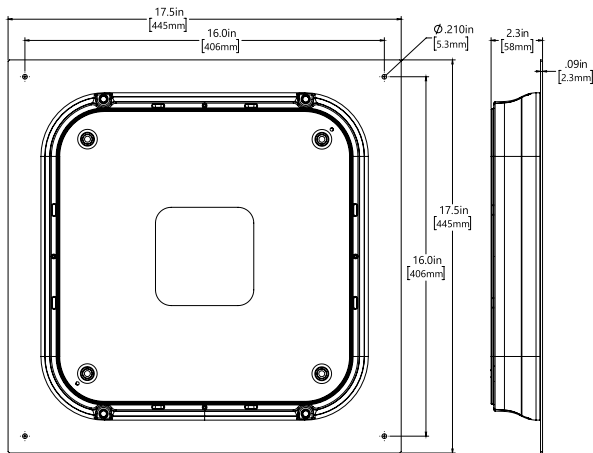
Surface Mount: SM

TOTAL WEIGHT (LBS.): 10.1



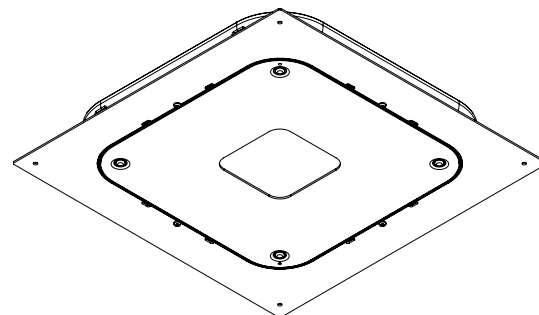
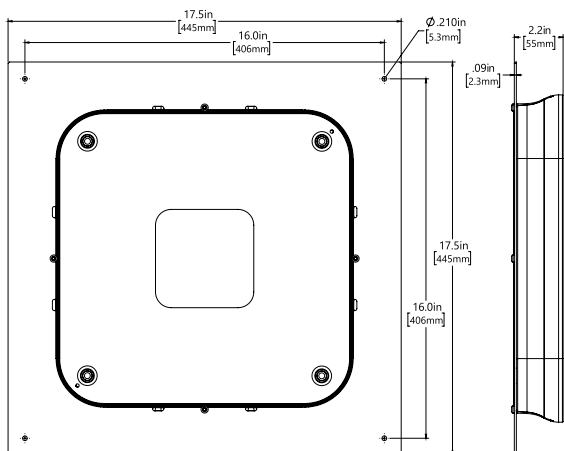
Surface Mount with Beauty Plate: SB

TOTAL WEIGHT (LBS.): 10.7



Recessed Mount: RM

TOTAL WEIGHT (LBS.): 12.4



Evolve® LED Canopy

Soffit (ECLS)

Mounting

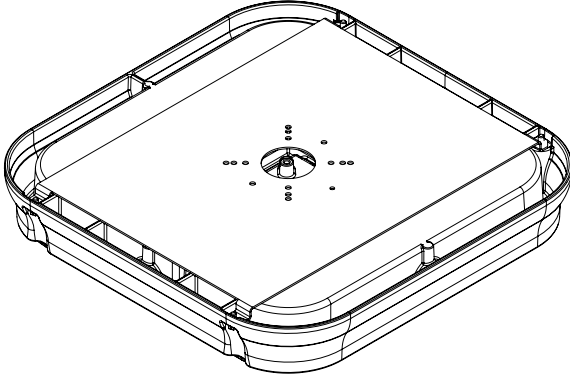
Project Name _____

Date _____ Type _____

Notes _____

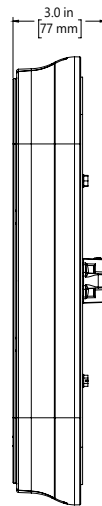
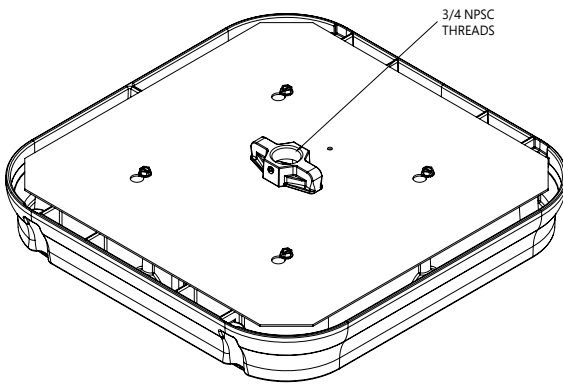
J-Box Mount (JM) for 3" or 4" J-box

Total Weight (lbs.): 11.1



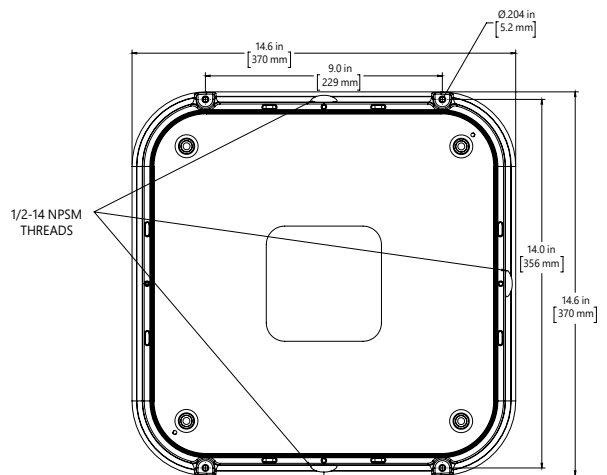
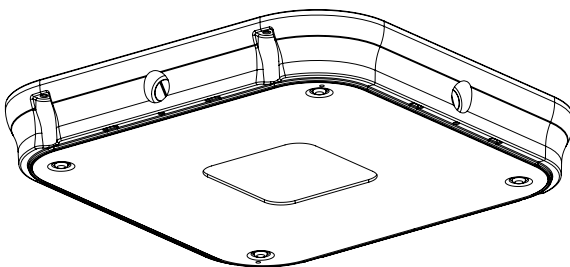
Pendant Mount (PM) *for rigid conduit only

Total Weight (lbs.): 11.5



Side Conduit Holes: SC

Total Weight (lbs.): XX



Evolve® LED Canopy

Soffit (ECLS)

Motion Sensing

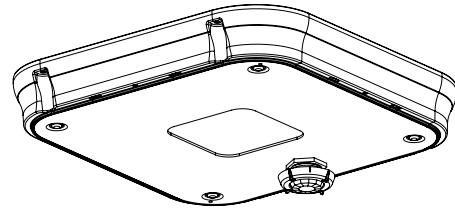
Project Name _____

Date _____ Type _____

Notes _____

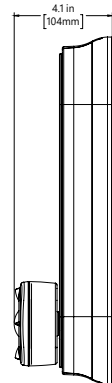
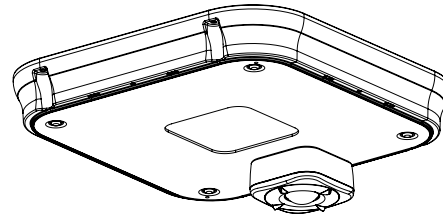
A MOTION SENSING OPTION - WATTSTOPPER: SENSOR FSP-211, LENS FSP-L2

Recommended Mounting Height:	8-25'
Coverage Radius:	15-20' (4.6-6.1 m)
Lateral Coverage:	360°
Default Settings:	
Output:	Occupied - 100% / Unoccupied - 50%
PE Sensor:	Enabled
Ramp/Fade:	5 Minutes/5 Minutes
	Adds < 1W to fixture power rating
	Field programmable using FSIR-100 hand held programmer



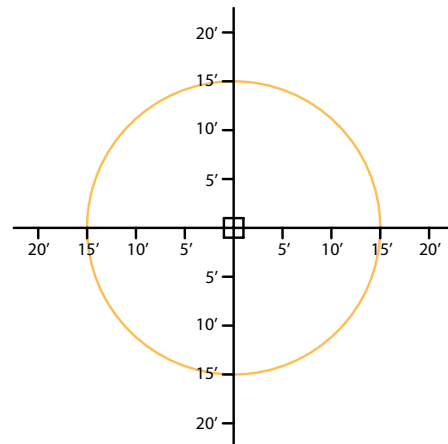
B MOTION SENSING OPTION - DAINTREE: WHS100-BM

Recommended Mounting Height:	8-25'
Coverage Radius:	15-20' (4.6-6.1 m)
Lateral Coverage:	360°
Default Settings:	
Output:	Occupied - 100%/Unoccupied - 50%
PE Sensor:	None
Ramp/Fade:	5 Minutes/5 Minutes
	Adds < 1W to fixture power rating
	Requires Daintree Enterprise and wide area control (WAC)



APPROXIMATE SENSOR PATTERN FOR A & B OPTION

- Canopy Fixture 15 ft. Mounting Height



Evolve[®] LED Canopy

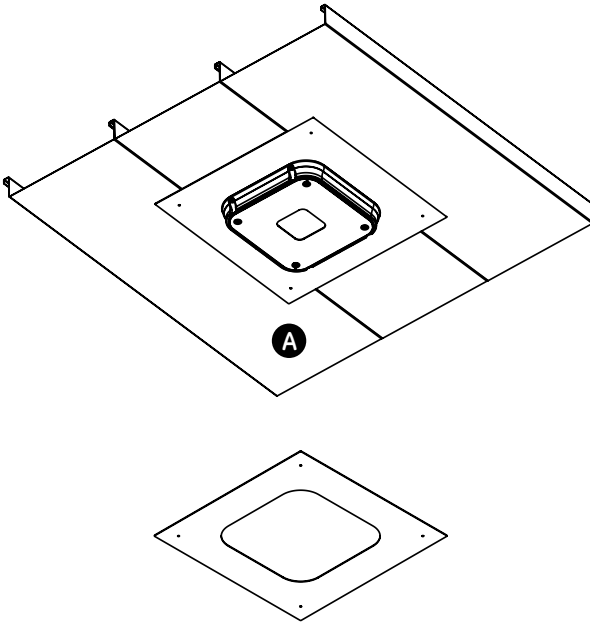
Soffit (ECLS)

Mounting & Accessories

Project Name _____

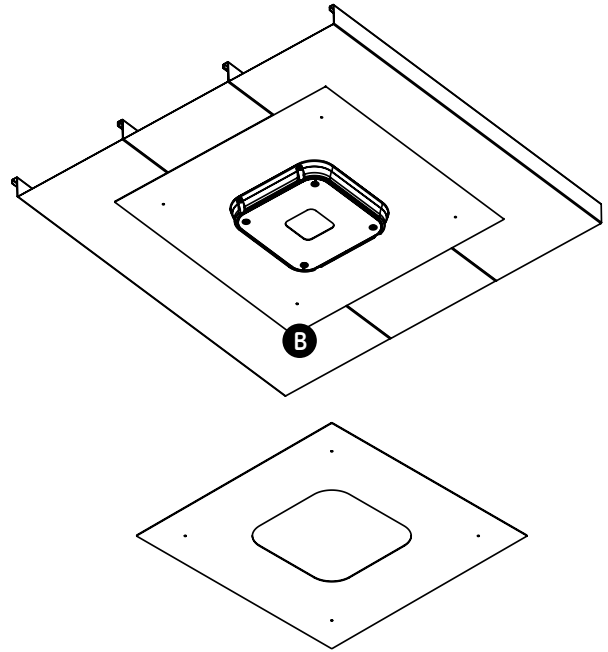
Date _____ Type _____

Notes _____



MOUNTING

- J-Box
- Pendant Mount
- Surface Mount
- Surface Mount with 17.5" x 17.5 Beauty Plate
- Recessed Mount with 17.5" x 17.5 Mounting Plate



BEAUTY PLATES

- 24" & 32" Escutcheon plates designed to cover unsightly canopy ceilings

Product	Series	Description	Color
ECL	E = Escutcheon Plate	1 = 24" x 24" ECLS	BLCK = Black
		2 = 32" x 32" ECLS	DKBZ = Dark Bronze
		3 = 24" x 24" ECLP	WHTE = White
		4 = 32" x 32" ECLP	