

NLC-Accessory Lenses

NLC Occupancy Sensor Fresnel Lenses

Product Description

The NLC Fresnel Lenses are designed to work with NLC sensors (see Product Compatibility below). Each Fresnel lens offers 360° high-density coverage at various heights. The twist-and-lock mechanism facilitates easy lens swapping, while the IP66 rating ensures complete protection against solid particles and significant water resistance. This feature makes them exceptionally suitable for environments such as manufacturing facilities, warehouses, and other large installation spaces.

Mounting and Installation

- Each sensor lens twists and locks onto any sensor module and can easily be interchanged with another compatible lens for a particular application.

Product Compatibility

- NLC SPEW1WH
- NLC SPEJ1WH

Listings

- IP40

Project

Catalog

Type

Date



Ordering Information

Example: NLCLHW1WH

Series	Product	Mounting Type	Beam Distribution	Version	Finish
NLC	L (Lens)	H (High Mount)	W (Wide)	1	WH (White)
		M (Medium Mount)	<input type="checkbox"/> N (Narrow)		

Specifications and dimensions subject to change without notice.
Narrow Lens is only offered in High Mount only.

NLC-Accessory Lenses

NLC Occupancy Sensor Fresnel Lenses

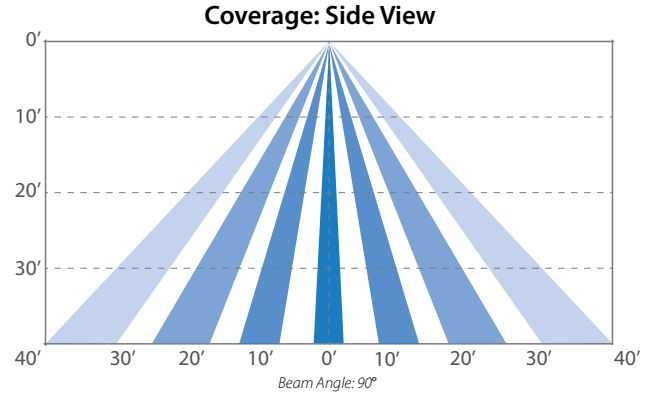
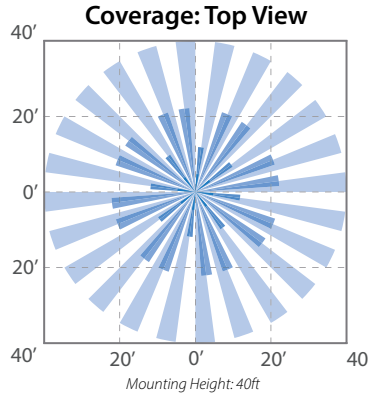
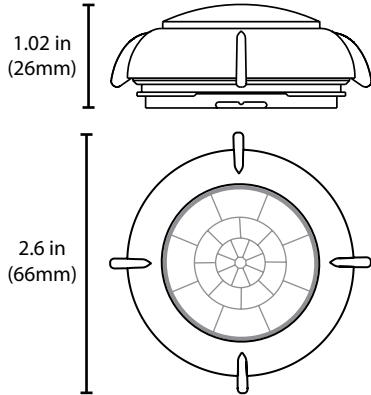
Performance Data

NLCLHW1WH - High Mount, Wide Lens

Mounting Height: 20ft to 40ft

Designed for mounting height between 20ft and 40ft, with coverage area upto 80ft in diameter when mounted at 40ft.

Application: 360° coverage, suitable for open area and aisleway coverage in high bay application.

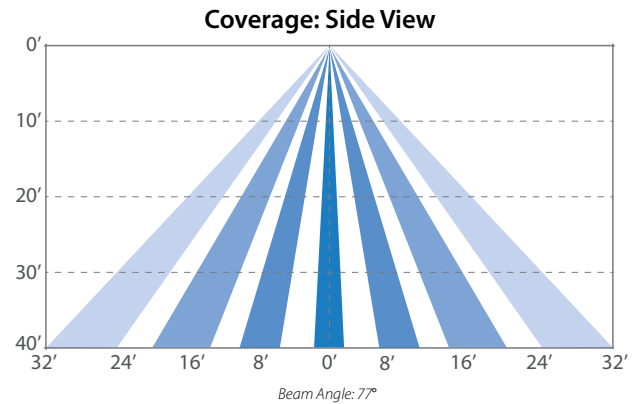
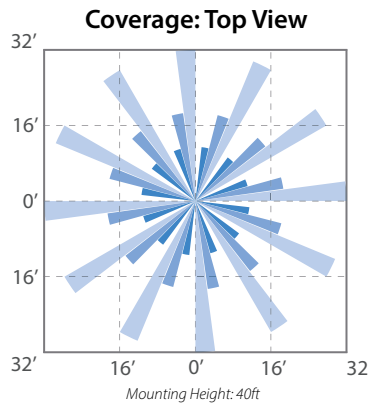
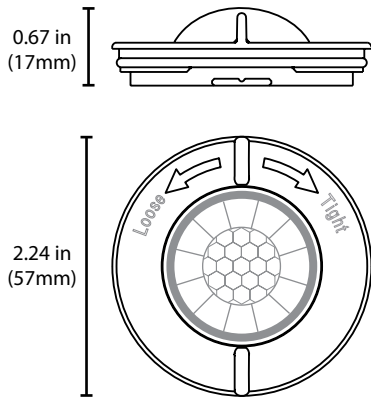


NLCLHN1WH - High Mount, Narrow Lens

Mounting Height: 20ft to 40ft

Designed for mounting height between 20ft to 40ft, with coverage area up to 64ft in diameter when mounted at 40ft.

Application: 360° coverage, suitable for open area and aisleway coverage in high bay application.



NLCLMW1WH - Medium Mount, Wide Lens

Mounting Height: 8ft to 20ft

Designed for mounting height between 8ft and 20ft, with coverage area upto 50ft in diameter when mounted at 20ft.

Application: 360° coverage for the middle bay application provides a wider detection pattern compared to the high bay lens.

