

# REL6-UNV

## Edge Lit Recessed LED Downlight - Selectable, UNV

### Product Description

The REL Selectable Edge Lit Downlight with universal voltage input, offers an attractive aesthetic with a low profile in 6" round forms. The CCT selectable, edge-lit technology makes it a practical solution with high performance. Adjustable spring-loaded retention tabs allow for a secure fit and easy installation. It's perfect for adding light in commercial or multi-family spaces such as offices, hallways, corridors, and entries.

#### Construction

- Cast aluminum housing routes heat away from electrical components
- Edge-Lit technology allows for extremely thin fixture depth
- Adjustable, spring loaded retention tabs ensure secure fixture retention
- Off-board driver minimizes installation height and maximizes fixture life through improved heat management

#### Optical System

- Precision engineered optical stack creates uniform light distribution that maximizes lumen output
- Utilizes high performing LEDs with 90+ CRI and an R9 > 50
- Offered in 5 CCT selection of 2700K, 3000K, 3500K, 4000K, or 5000K

#### Electrical

- Input voltage of 120-277VAC
- CCT selector switch located on driver
- Dimmable to 5% with compatible phase cut or 0-10VDC dimmers.
- Operating temperature rating of -4°F to 104°F (-20°C to 40°C)

#### Finish

- White powder coat finish standard
- Baffle version available

#### Mounting and Installation

- Spring loaded retention tabs allow for easy installation into ceilings up to 3/4" thick with no need for a recessed housing
- Off-board driver/junction box includes three 1/2" KOs and three-port poke-in connectors
- Paper cutting template included
- Accessory metal rough-in template and frames available
- For installations where power surge may be possible, NICOR recommends installing additional surge protection at the electrical distribution panel

#### Listings

- cETLus 1598 Classified for wet locations
- ENERGYSTAR listed
- CA Title 24 Compliant
- Certified for direct contact with insulation (IC)
- Meets Air Tight requirements per ASTM E283
- Compliant with NFPA® 70, NEC® Section 410.16 (A)(3) and 410.16 (C)(5) for closet use
- RoHS Compliant
- Meets FCC Part 15, Subpart B, Class B standards for conducted and radiated emissions
- LED lumen maintenance: L70(9k)>54,000 hrs
- LM-79, LM-80 testing performed in accordance with IESNA standards

#### Warranty

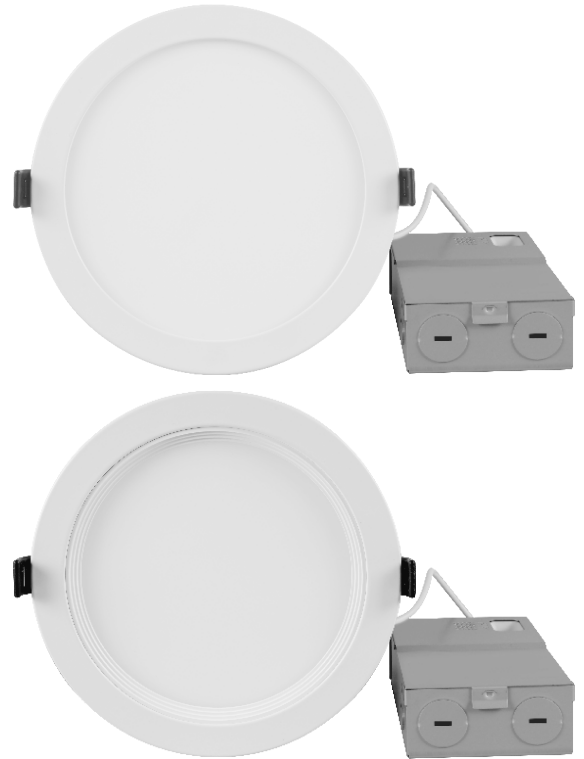
- 5-year limited system warranty standard
- Warranty does not cover product failure due to an overvoltage event (power surge)

Project

Catalog

Type

Date



**REL6-UNV**  
**6" Edgelit LED Downlight**  
1000 lumen



# REL6-UNV

Edge Lit Recessed LED Downlight - Selectable, UNV

## Ordering

Ordering Information						Example : REL61UNVSRDWH
Series	Version	Voltage	CCT's	Trim Shape	Trim Form	Trim Color
REL6	1	UNV (120-277VAC)	S (Selectable)	RD(Round)	Blank (smooth)	WH (White)
					BF (baffled)	

Specifications and dimensions subject to change without notice

## Accessories accessories sold separately

Frame for 3", 4", 6" remote driver fixtures	MULTIFRAME-346-1
3", 4", 6" Rough In Flat Template	ROUGHIN-TEMPLATE-346

## Performance Data and Dimming

Performance Data				
Model Number	CCT	Lumens	Watts	Lumens/Watt
	2700	985		77.9
	3000	1026		81.7
REL61UNVSRDWH/BF	3500	1048	12.6	84.3
	4000	1074		86.4
	5000	1137		90.0

### Recommended 0-10V Dimmers\*

- Lutron NTSTV
- Lutron DVSTV
- Cooper SF10P
- Legrand RH4FBL3PW

### Recommended Phase-Cut Dimmers\*

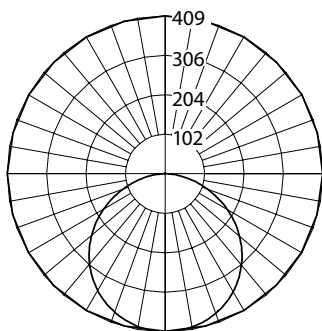
- Lutron Skylark SELV-300P
- Lutron Skylark SCL-153P
- Lutron DIVA DVCL-153P
- Lutron DIVA DVELV-300P

\*Not a complete list. Check compatibility before installation.

## Photometric Data

### REL6-UNV 5000K

Input Voltage (VAC)	120-277
System Level Power (W)	12.6
Delivered Lumens (Lm)	1137
System Efficacy (Lm/W)	90.0
Correlated Color Temp (K)	5000
Color Rendering Index (CRI)	94 R9=71
Beam Angle (°)	111
Spacing Criteria	1.26



### Intensity Summary (Candle Power)

Angle	Mean CP
0	409
5	407
15	392
25	363
35	322
45	270
55	207
65	139
75	69
85	10
90	0

### Cone of Light Tabulation

Mounted height (Feet)	Footcandles Beam Center	Diameter (Feet)
4	25.5	11.5
6	11.3	17.3
8	6.4	23.0
10	4.1	28.8

### Zonal Lumen Summary

Zone	Lumens	% of Luminaire
0-30	316	27.8%
0-40	517	45.5%
0-60	910	80%
0-90	1137	100%
90-180	0	0%
0-180	1137	100%

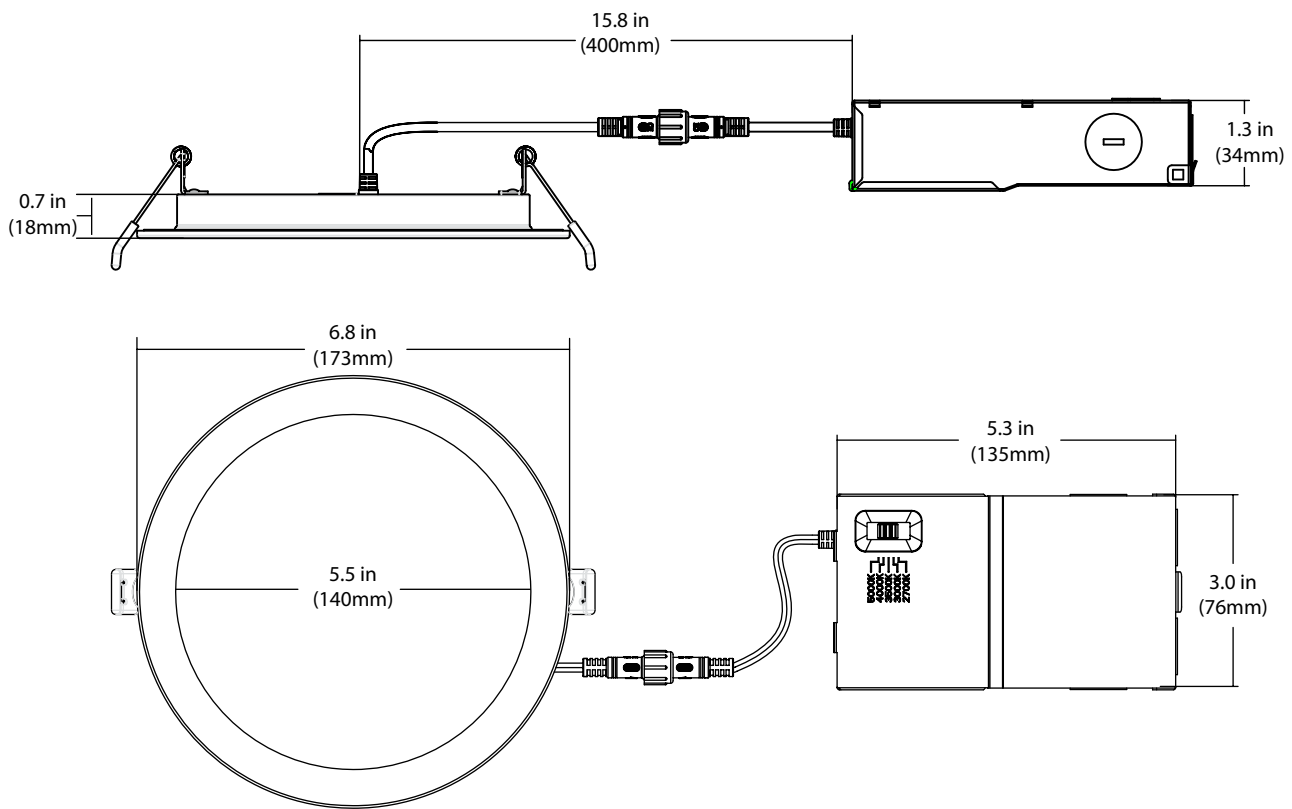
### CCT Data Multiplier

- 2700K
- 3000K
- 3500K
- 4000K

# REL6-UNV

Edge Lit Recessed LED Downlight - Selectable, UNV

## Dimensions



This device complies with part 15 of the FCC Rules. Operation is subject to the following two conditions: (1) This device may not cause harmful interference, and (2) this device must accept any interference received, including interference that may cause undesired operation.

NOTE: This equipment has been tested and found to comply with the limits for a Class B digital device, pursuant to part 15 of the FCC Rules. These limits are designed to provide reasonable protection against harmful interference in a residential installation. This equipment generates, uses and can radiate radio frequency energy and, if not installed and used in accordance with the instructions, may cause harmful interference to radio communications. However, there is no guarantee that interference will not occur in a particular installation. If this equipment does cause harmful interference to radio or television reception, which can be determined by turning the equipment off and on, the user is encouraged to try to correct the interference by one or more of the following measures:

- Reorient or relocate the receiving antenna.
- Increase the separation between the equipment and receiver.
- Connect the equipment into an outlet on a circuit different from that to which the receiver is connected.
- Consult the dealer or an experienced radio/TV technician for help.