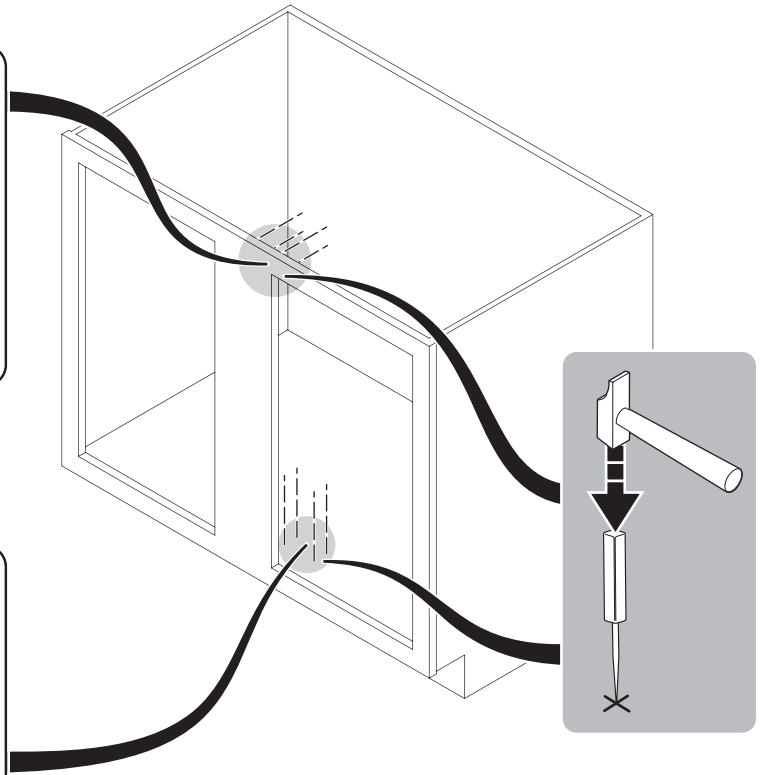
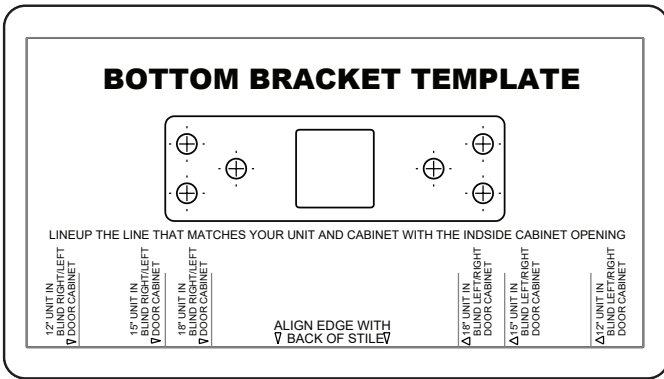
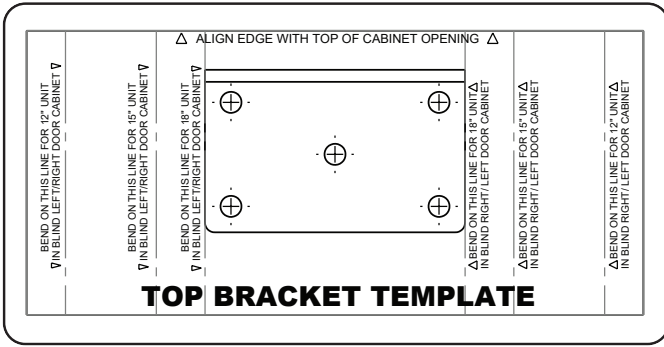
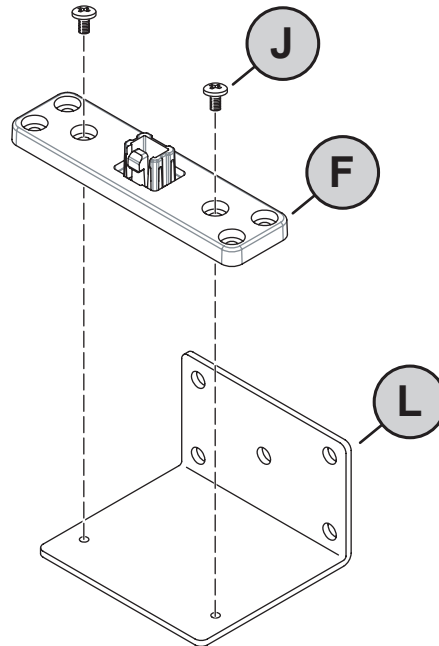


1



*Frameless applications use frameless template to ensure clearance of hinge/door.

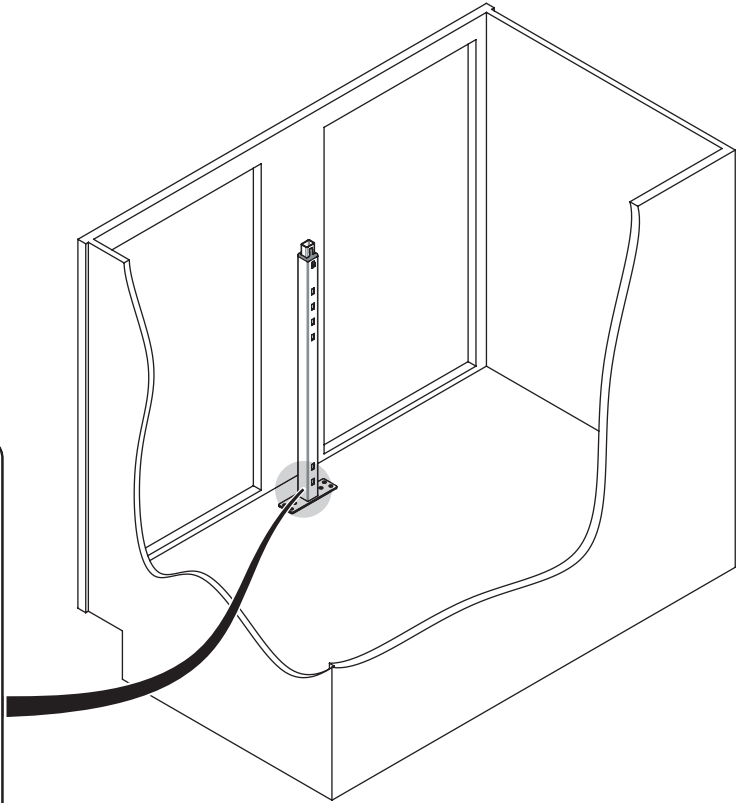
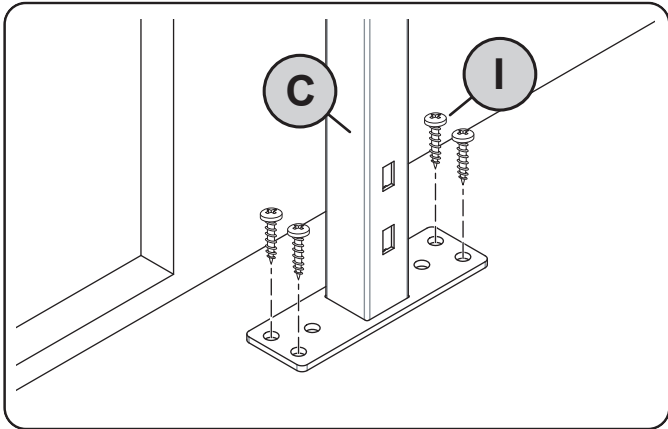
2



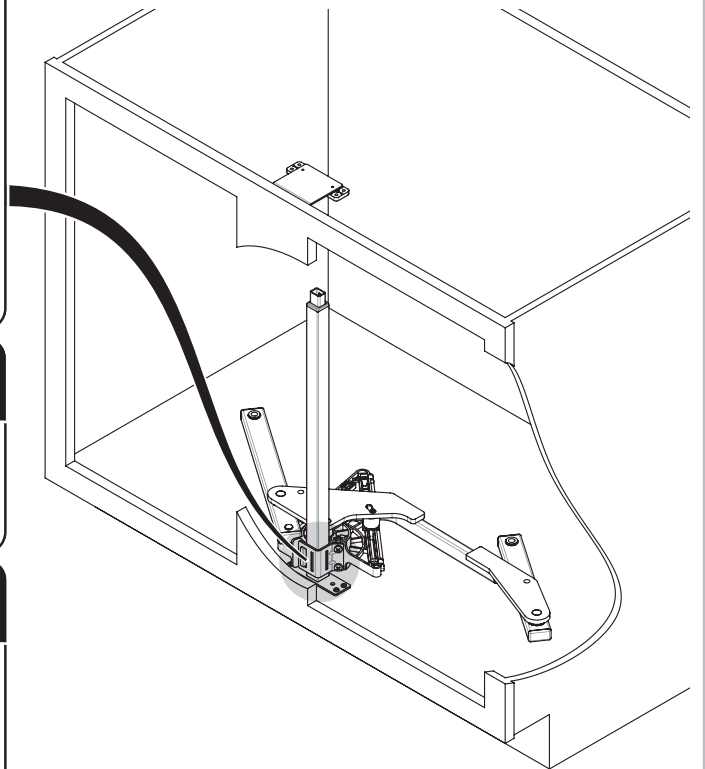
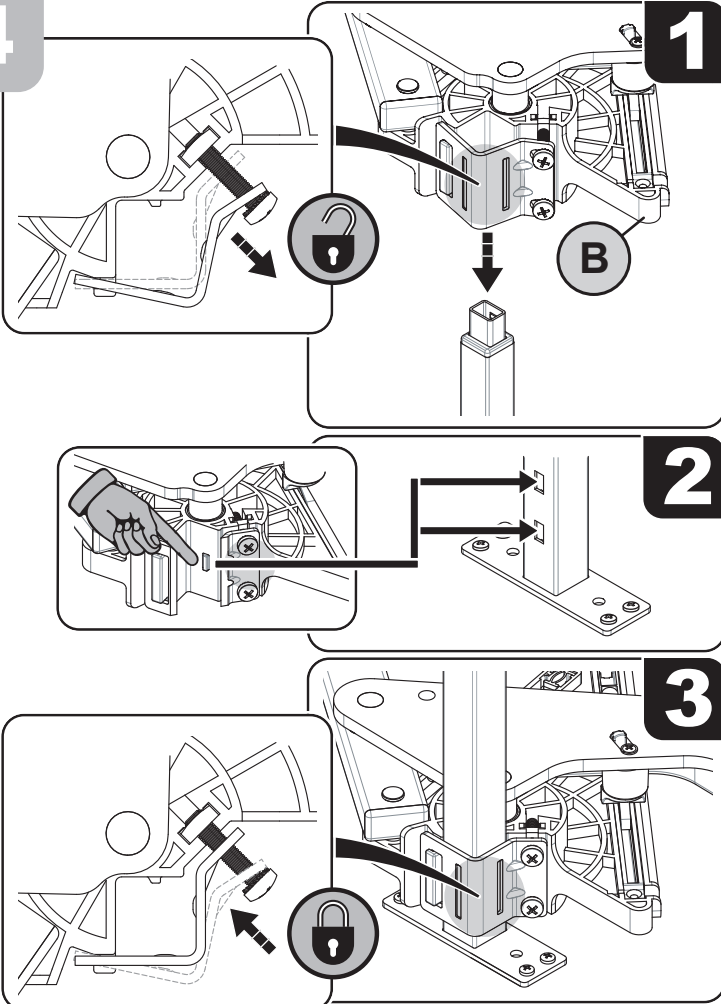
*Skip this step if using frameless template. Attach the Top Post Bracket (F) directly to top of cabinet in step 6, omitting post support bracket (Part L).

2

3

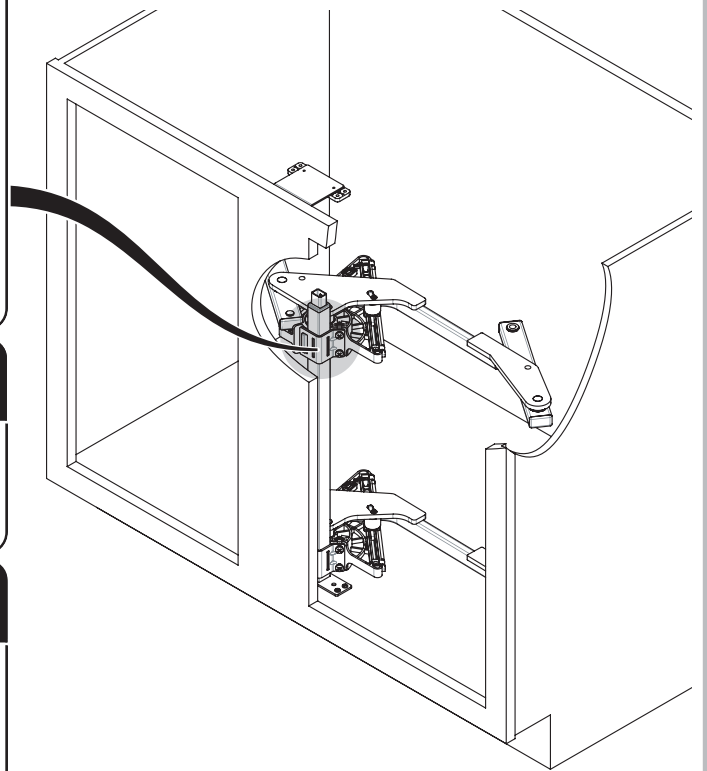
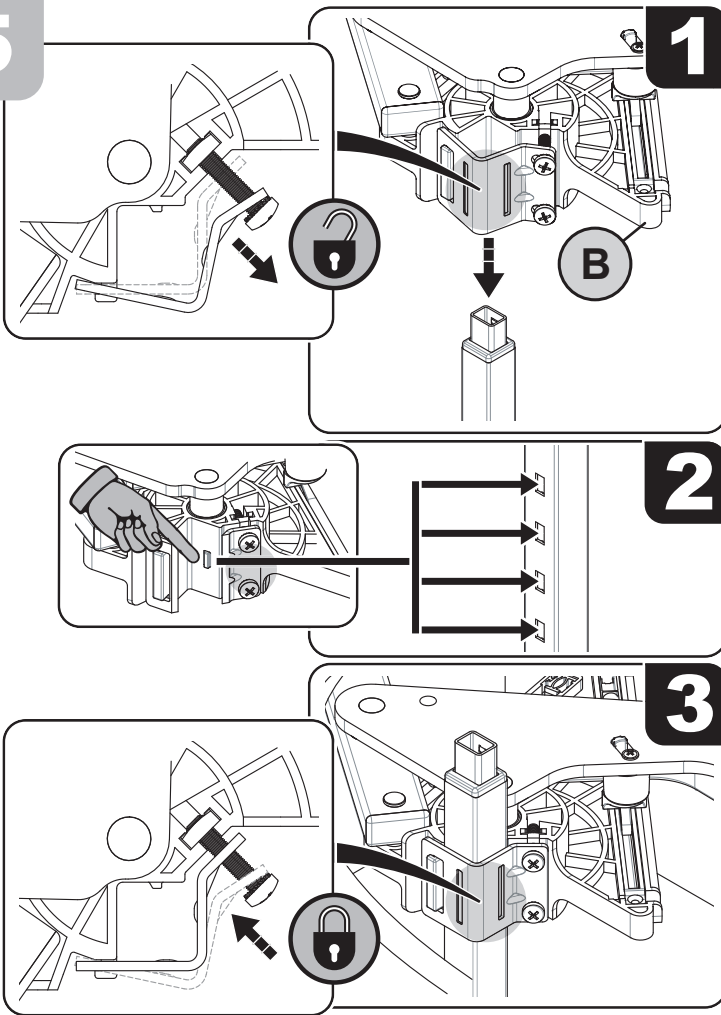


4

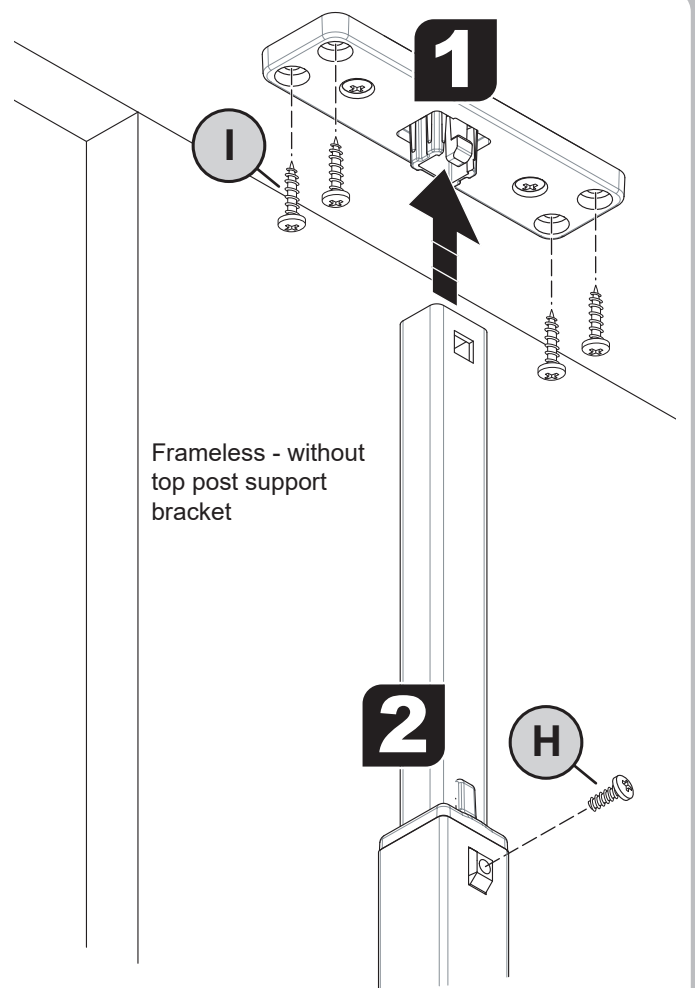
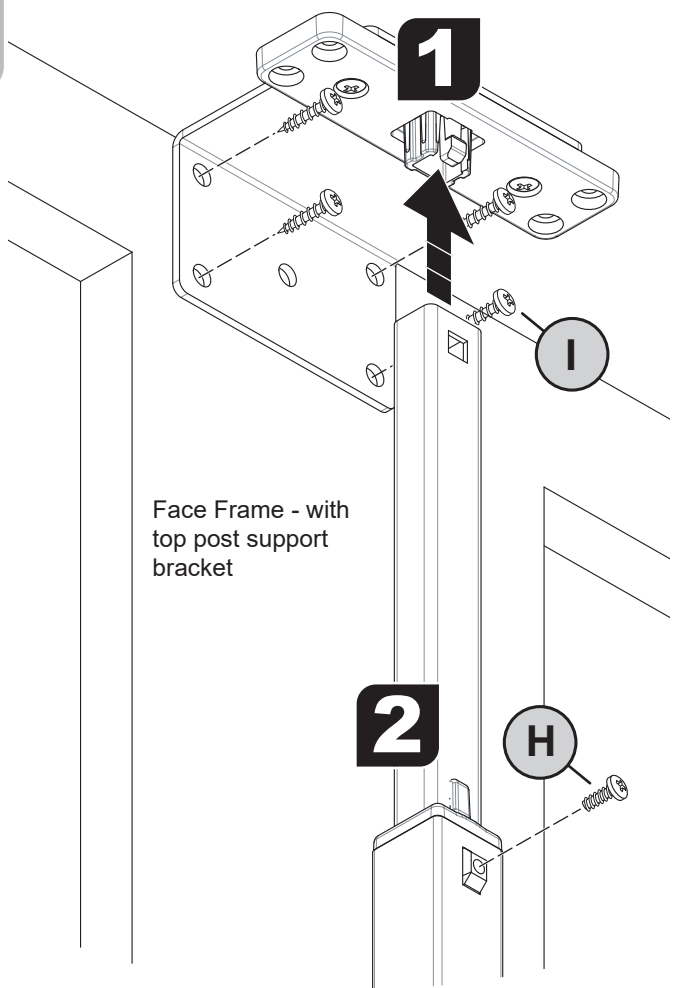


3

5

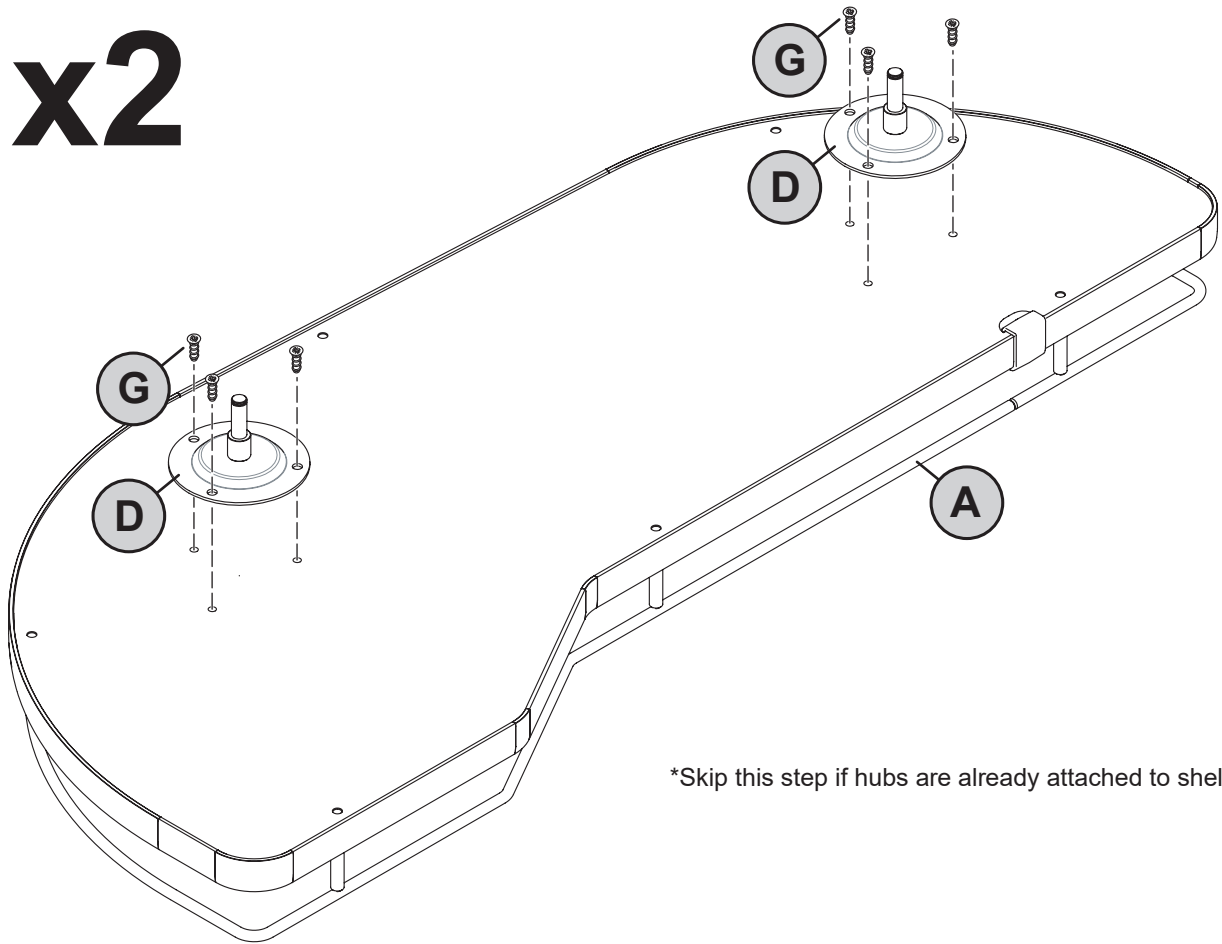


6



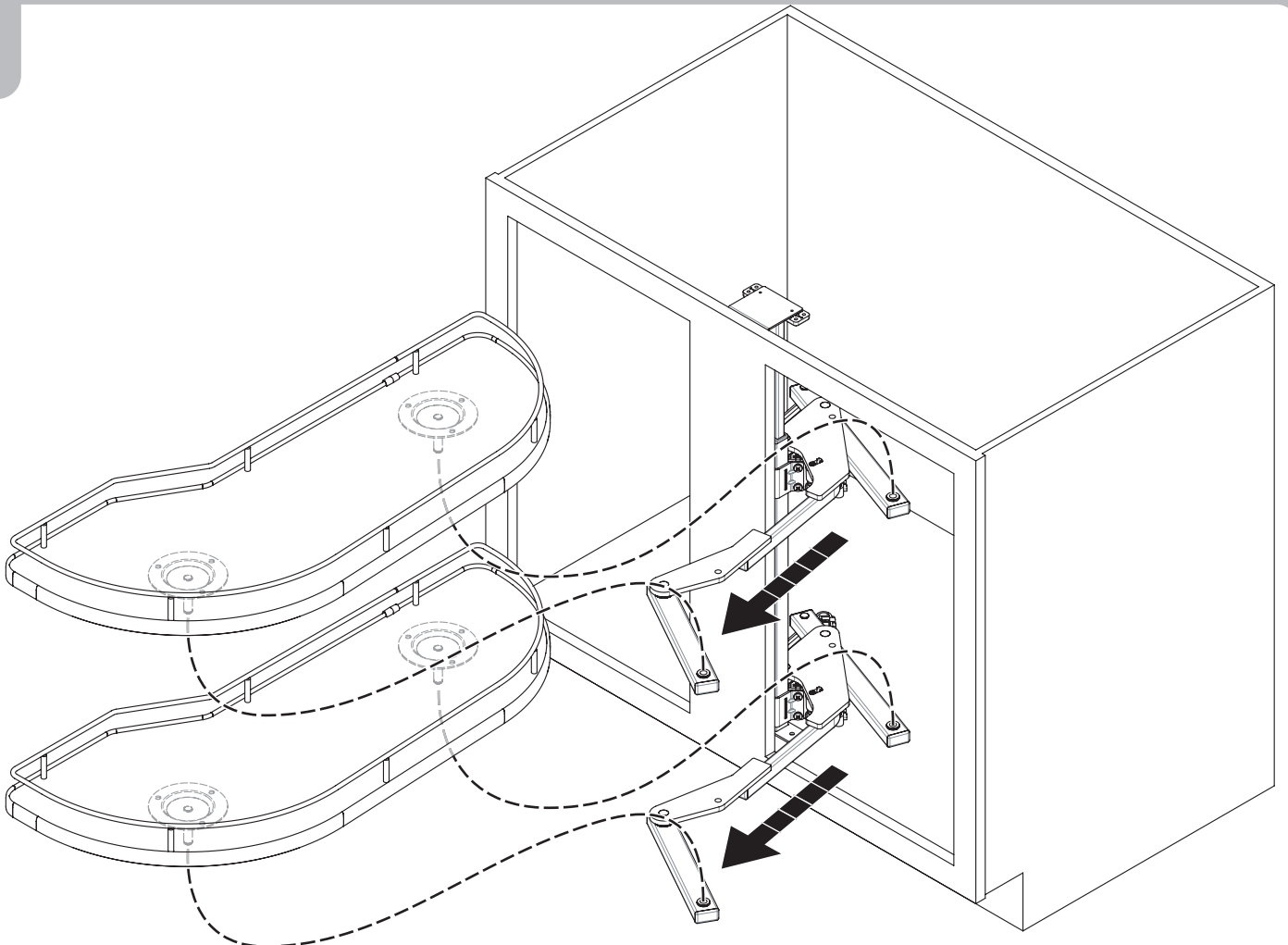
7

x2

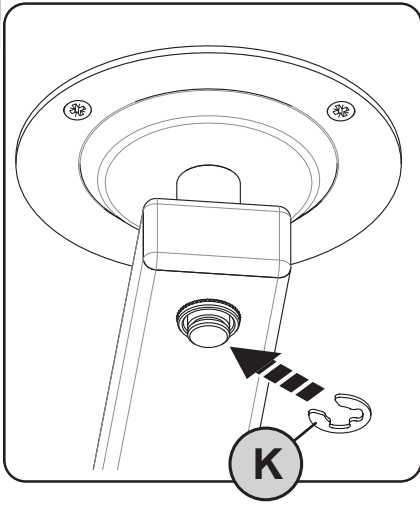


*Skip this step if hubs are already attached to shelf.

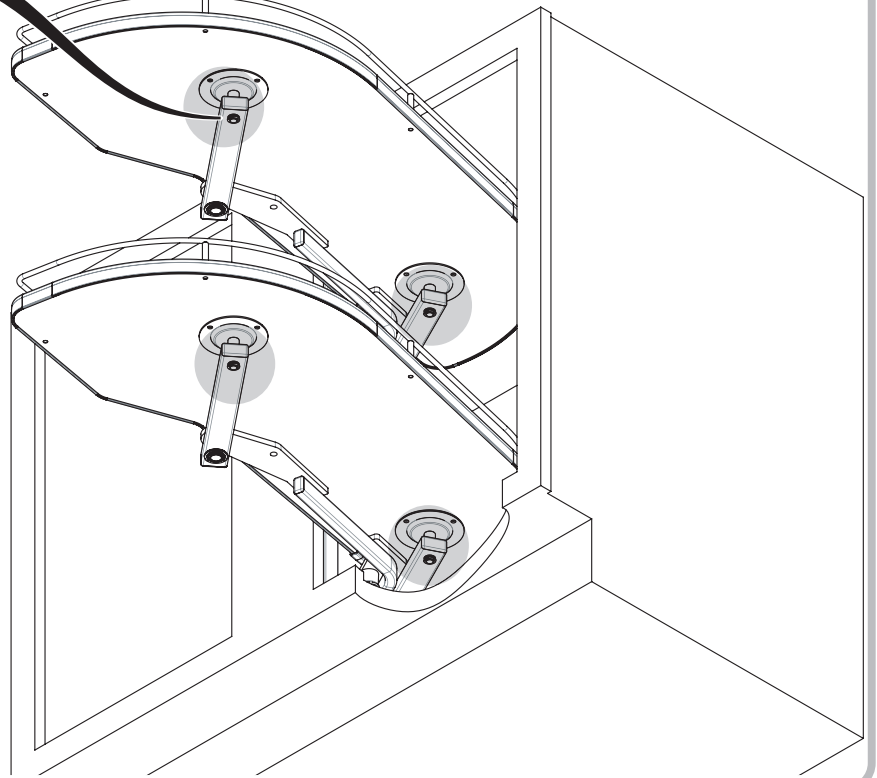
8



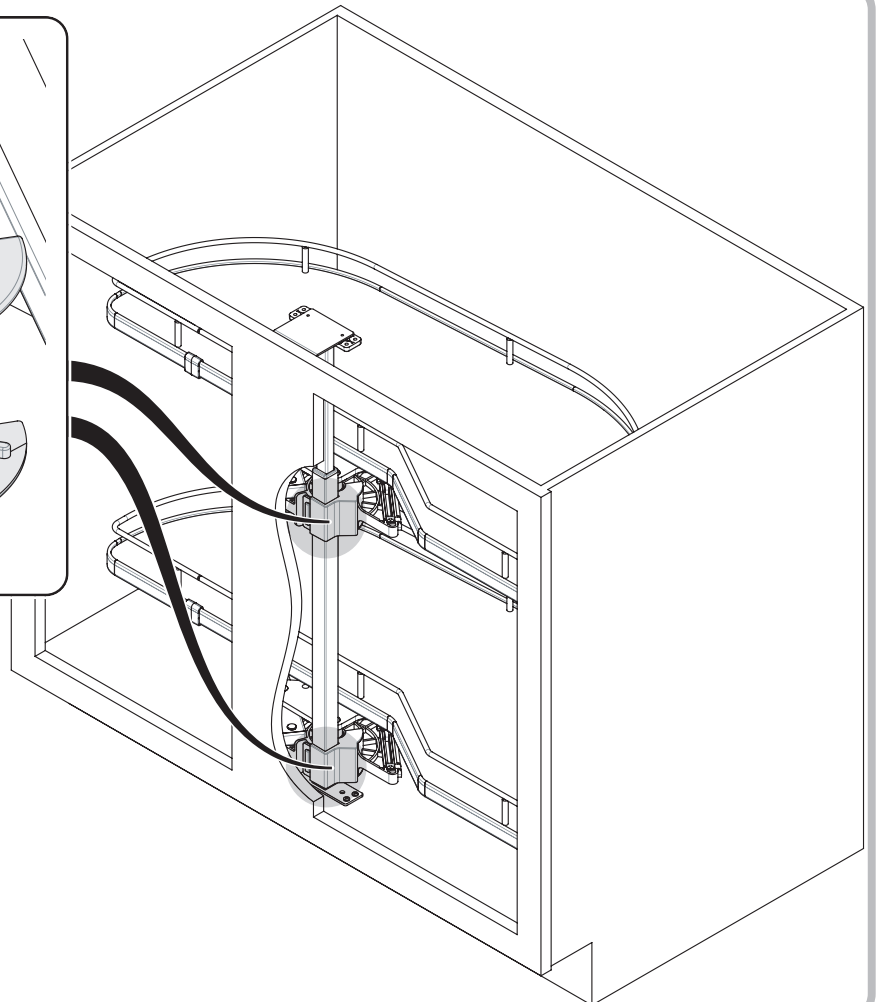
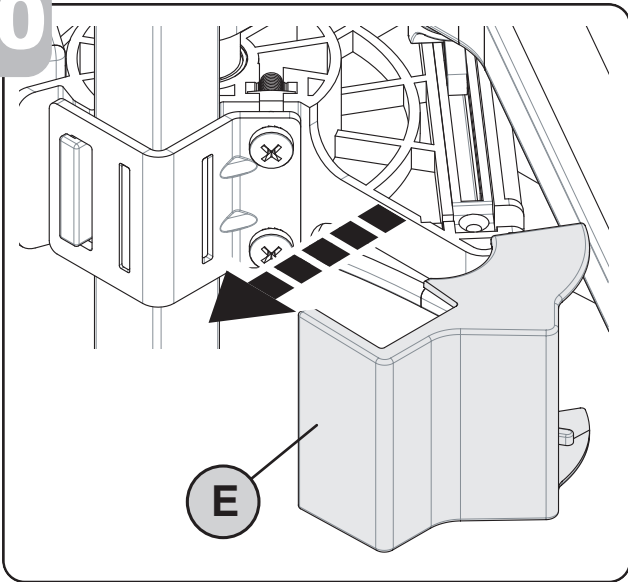
9



x4



10



A large rectangular area with rounded corners, containing 30 horizontal lines for writing.

A large rectangular area with rounded corners, containing 25 horizontal lines for writing.