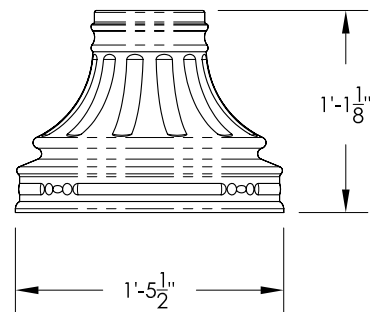
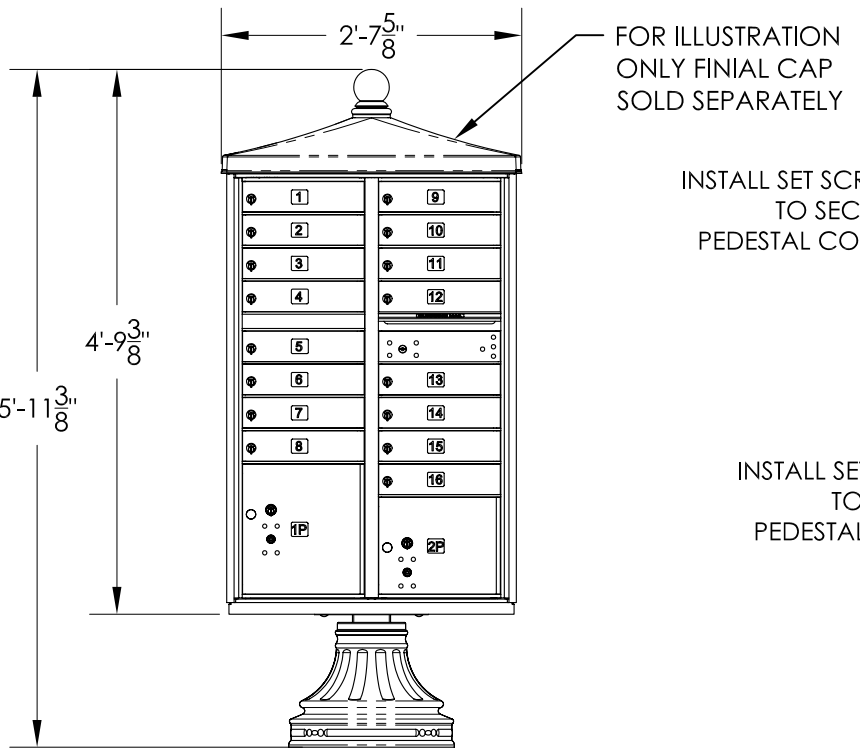
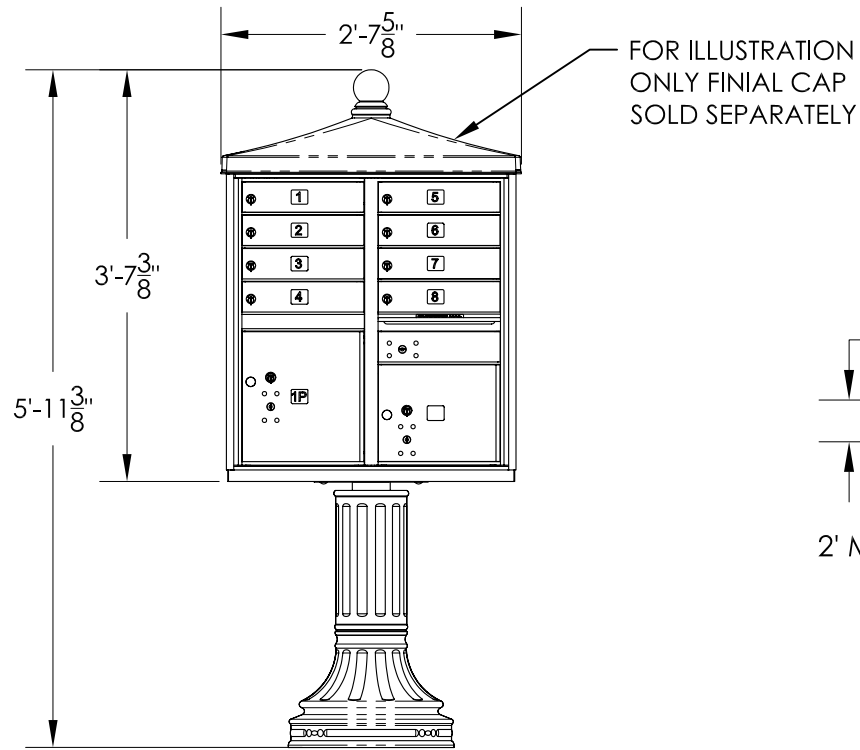


FRONT & SIDE VIEW
TALL PEDESTAL
(VOGUEPA28)

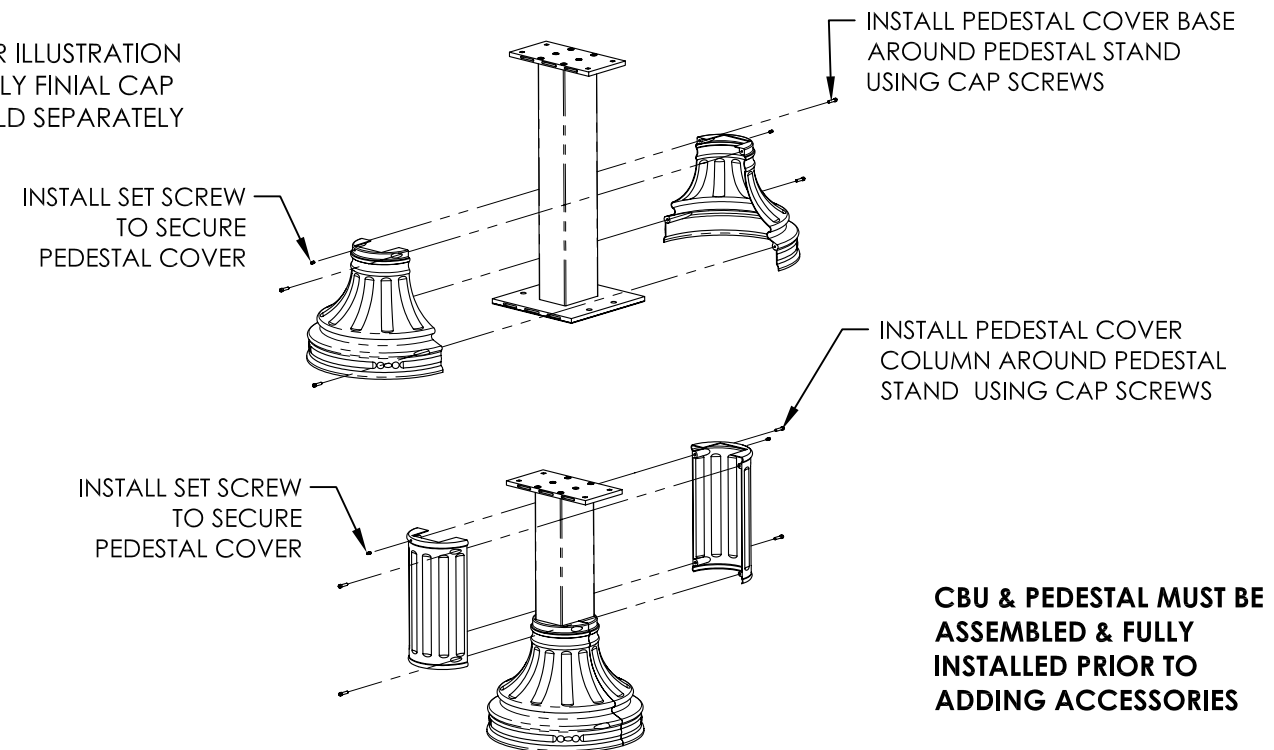
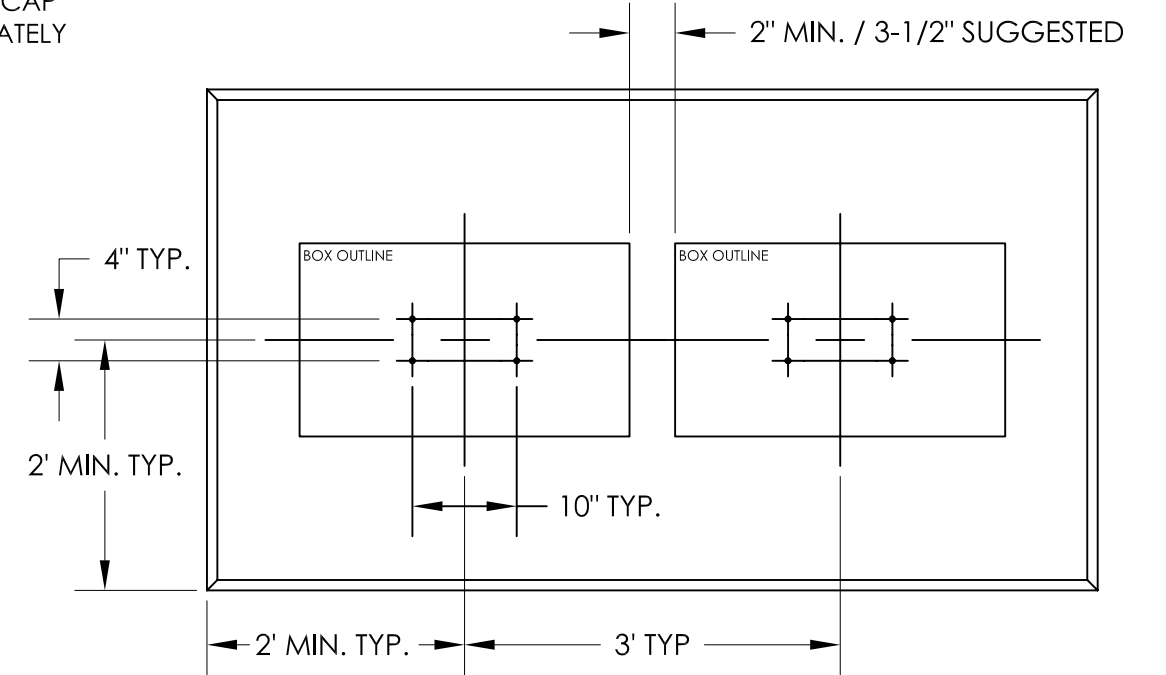


FRONT & SIDE VIEW
SHORT PEDESTAL
(VOGUEPA14)

1570 CBU VIEW WITH INSTALLED ACCESSORIES



MULTI-UNIT PAD SPECIFICATION
IF INSTALLING WITH FINIAL CAP



CBU & PEDESTAL MUST BE ASSEMBLED & FULLY INSTALLED PRIOR TO ADDING ACCESSORIES

NOTES:

1. CBU & PEDESTAL MUST BE ASSEMBLED AND FULLY INSTALLED PRIOR TO ADDING ACCESSORIES.
2. TRADITIONAL PEDESTAL COVER AND CAP SOLD SEPARATELY.
3. AVAILABLE IN ALL STANDARD CBU POWDER COAT FINISHES.
4. TRADITIONAL PEDESTAL COVER INSTALLED USING CAP SCREWS (INCLUDED).
5. TRADITIONAL PEDESTAL BASE COVER DESIGNED TO FIT OVER FLORENCE 1570 SERIES CBU PEDESTAL.

PRODUCT SERIES: VOGUE™ CBU ACCESSORIES TRADITIONAL PEDESTAL

AF FLORENCE
manufacturing company

5935 Corporate Drive • Manhattan, KS 66503
www.florencemailboxes.com • (800) 275-1747

A GIBRALTAR INDUSTRIES COMPANY

MODEL	TRADITIONAL PED. CVR.	REV	-
SCALE	NONE	LAST REV DATE	4/1/2010
DRAWING NUMBER	VOGUEPAM	DRAWN BY	AFD
		SHEET	1 OF 1