

DLG2

2" Gimbal Recessed LED Downlight

Product Description

NICOR's D-Series luminaries offer a comprehensive family of LED downlight fixtures that complement one another no matter your design space needs. The 2" family packs a punch with its small, elegant design along with its high lumen output. Not only does this family work perfect for accent and task lighting, but the lighting output allows you to bring general ambient lighting into a space with a very small, architectural exposure. From LED color rendering and trim finishes to fixture performance, this series is a perfect choice for commercial, retail, institutional, and residential applications.

Construction

- Cast aluminum trim routes heat away from electrical components
- NICOR 2" LED housing required for use of DLG2

Optical System

- TIR optic provides smooth, uniform light
- Beam spread options available: 37°(standard), 30°, or 20°
- 32° Tilt with 360° rotation

Electrical

- COB with greater than 90 CRI and an R9 greater than 50
- Dimmable to 10% with most standard triac dimmers
- Operating temperature rating of 0°F to 120°F (-18°C to 49°C)
- Lifetime rated for greater than 35,000 hours
- LM-79, LM-80 testing performed in accordance with IESNA standards
- 120V input to driver

Finish

- Exterior white powder coat finish
- Also available in Black, Oil-Rubbed Bronze and Nickel *

Installation

- NICOR's 2" recessed housings required: Available in remodel, new construction, and IC/ Airtight new construction
- Quick and easy installation with a snap-in IDEAL connector and friction clip mounting system

Warranty

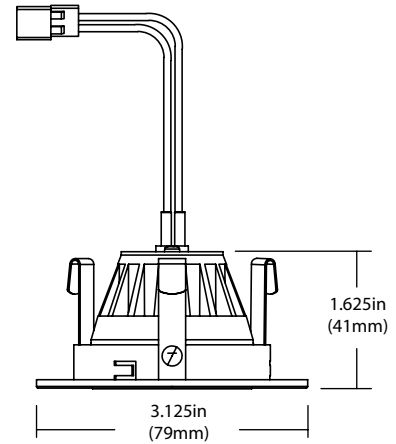
- 5-year limited system warranty standard

Project

Catalog

Type

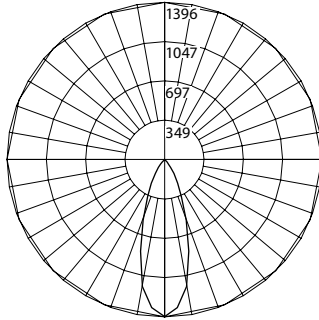
Date



Photometric Data

DLG2 2700K

Input Voltage (VAC)	120V
System Level Power (W)	8.6
Delivered Lumens (Lm)	645
System Efficacy (Lm/W)	75.0
Correlated Color Temp (K)	2625
Color Rendering Index (CRI)	92
Beam Angle	33.4°
Spacing Criteria	0.58



Intensity Summary (Candle Power)

Angle	Mean CP
0	1396
5	1291
15	775
25	330
35	129
45	44
55	19
65	10
75	4
85	1
90	0

CCT Data Multiplier

DLG2-10-120-3K	1.051
DLG2-10-120-4K	1.090

Cone of Light Tabulation

Mounted height (Feet)	Footcandles Beam Center	Diameter (Feet)
4	87.3	2.3
6	38.8	3.2
8	21.8	4.1
10	13.9	5.3
12	9.7	6.2
14	7.1	7.3
16	5.5	8.3

Zonal Lumen Summary

Zone	Lumens	% of Luminaire
0-30	489	76.1%
0-40	572	89.1%
0-60	626	97.5%
0-90	642	100.0%
90-180	0	0.0%
0-180	642	100.0%

Fixture tested per LM-79-08. Photometric data is of the performance of a representative fixture. Results may vary in the field.

Performance Data

Model Number	Lumens	Watts	Lumens/Watt
DLG2-10-120-2K	645	8.6	75.0
DLG2-10-120-3K	678	8.6	78.8
DLG2-10-120-4K	703	8.6	81.7

Recommended Dimmers*

Lutron DIVA DVCL-153P
Lutron MAESTRO MACL-153M
Lutron DIVA DVELV-300P
Lutron DIVA DVELV-303P

0-10V Dimming

*Not a complete list. Check compatibility before installation.

Housing Compatibility*

12201-LED-ICAT	2" LED NEW CONSTRUCTION HOUSING
12202R-LED-ICAT	2" LED REMODEL HOUSING
12300A-LED	2" 120-277V LED IC/AT NEW CONS. HOUSING

Ordering Information

Example: DLG2-10-120-3K-WH

Series	Version	Housing Input Voltage	CCT's	Trim Color	Optics
DLG2	10 (v 1.0)	120 (120V)	2K (2700 K)	WH (White)	___ (37° Standard Optic)
			3K (3000 K)	BK (Black)*	NF (30° Narrow Optic)
			4K (4000 K)	NK (Nickel)*	SP (20° Spot Optic)
				OB (Oil-Rubbed Bronze)*	

*Only available as special order. Contact NICOR for more info.
Specifications and dimensions subject to change without notice.