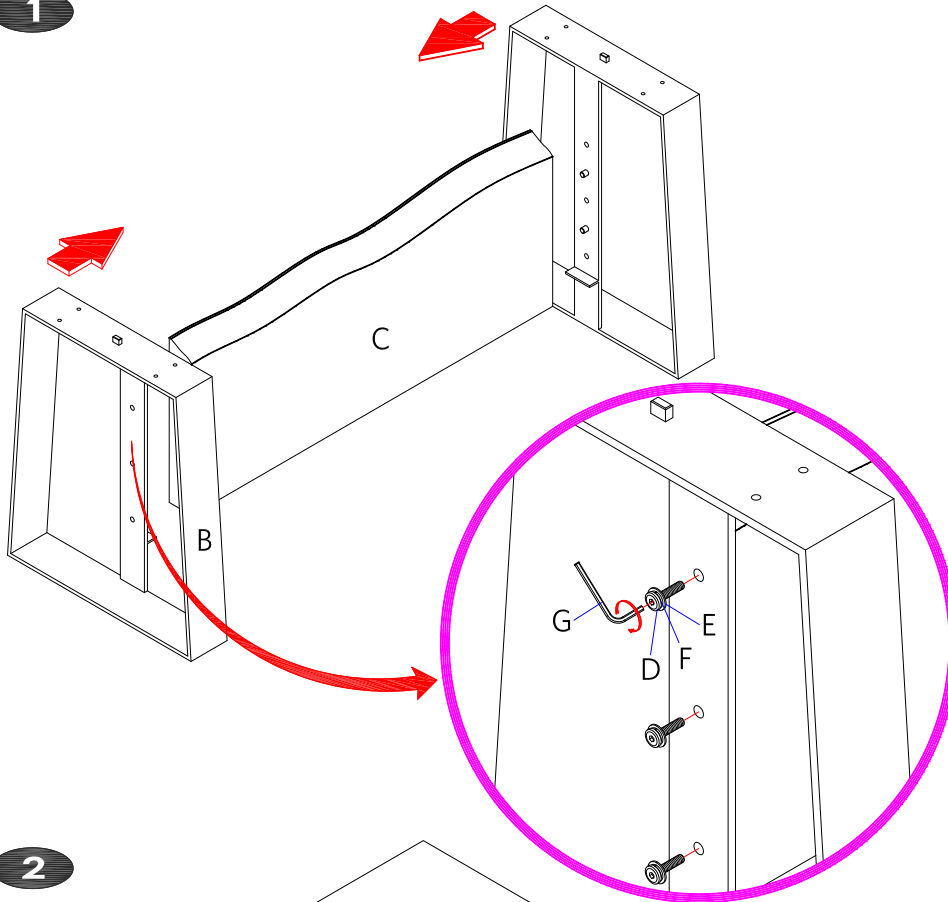


# SONDER

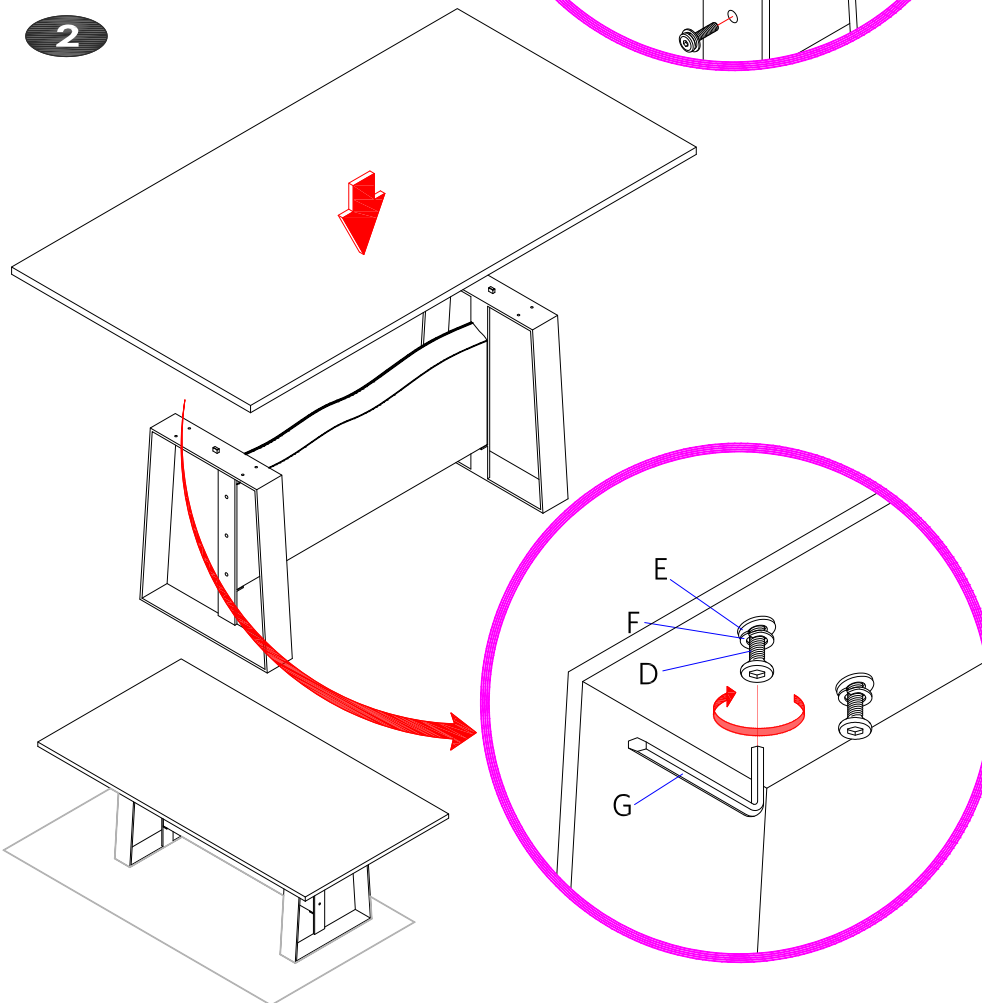
LIVING

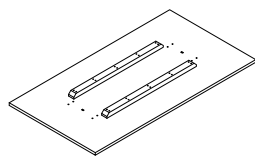
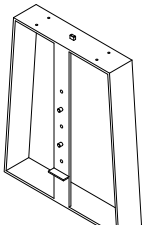
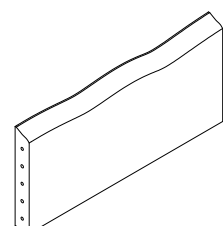
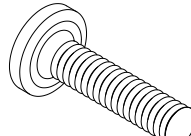
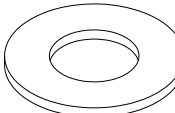
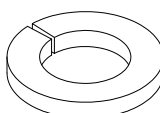

## JORDAN RECTANGLE DINING TABLE

1



2



A		1
B		2
C		1
D		14
E		14
F		14
G		1