

FURNITURE TIPPING RESTRAINT INSTRUCTIONS

Young children may be injured by tipping furniture and the use of a tipping restraint is highly recommended.

When properly installed, this restraint could provide protection against the unexpected tipping of furniture due to small tremors, bumps or climbing. We recommend mounting this restraint to a wall stud.

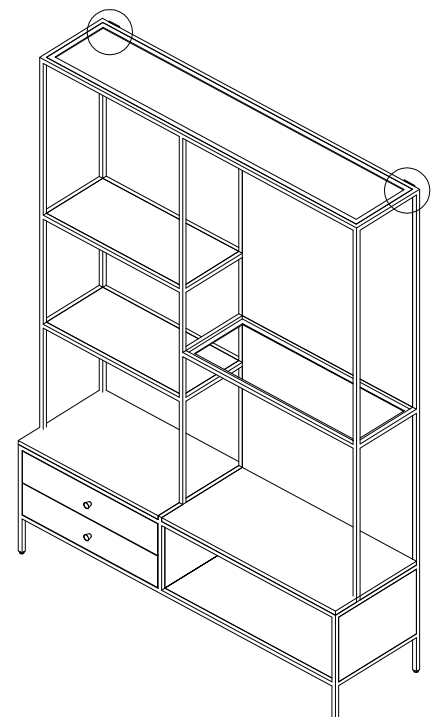
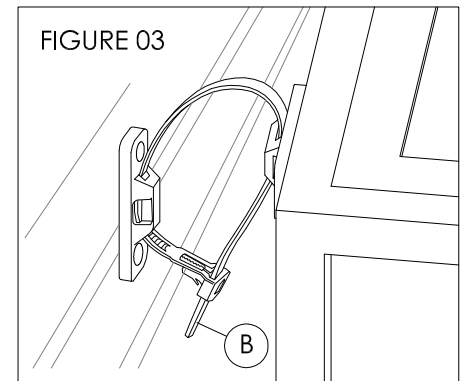
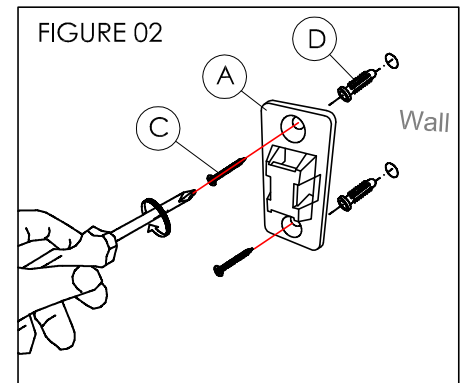
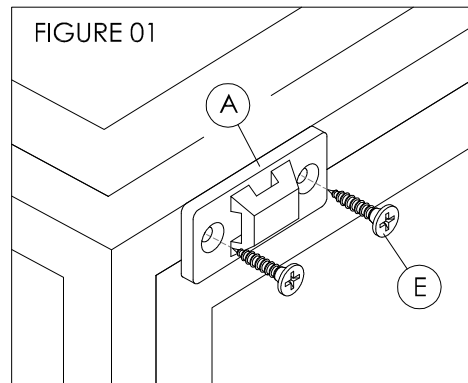
WARNING: This product is only a deterrent. It is not a substitute for proper adult supervision.

PART LIST

- A [4] PLASTIC BRACKET 
- B [2] RESTRAINT STRAP 
- C [4] PHILLIPS SCREWS 30mm 
- D [4] PLASTIC ANCHOR 
- E [4] SCREW FIX METAL 

INSTALLATION INSTRUCTION

1. Attach two plastic brackets near the top-back corners of the furniture. Please be noted that these brackets must be attached to the metal frame, DO NOT SCREW THE BRACKET TO THE BACK PANEL. See FIGURE 01.
2. Pre-set the furniture on your desired location. Mark locations of the other plastic brackets on the wall approximately 2" below the top-back edge of the furniture. Make sure the brackets mounted on back of the furniture are in line with the brackets on the wall.
3. Remove the furniture and drill a shorter hole into the wall stud. If wall stud is not available, drill a hole into the wall and insert plastic anchor. Gently tap the anchor until the flange is flush with the wall.
4. Attach the plastic brackets by inserting screw through the bracket and into the wall as illustrated on FIGURE 02. Place the furniture so that the brackets on back of it are in line with the brackets on the wall. Lace one end of the nylon restraint strap go through both brackets. Bring both ends together and slide the beaded end until it snap locks into the keyhole slot. FIGURE 03.
5. To double lock; return the beaded end back through the keyholes as shown.
6. Check to make sure the straps are securely laced and locked to the brackets.



CARE INSTRUCTIONS:

- Dust often using a clean, soft, dry lint-free cloth.
- Blot spills immediately and wipe with a clean, damp, cloth.
- We do not recommend the use of chemical cleansers, abrasives, or furniture polish on our lacquered finish