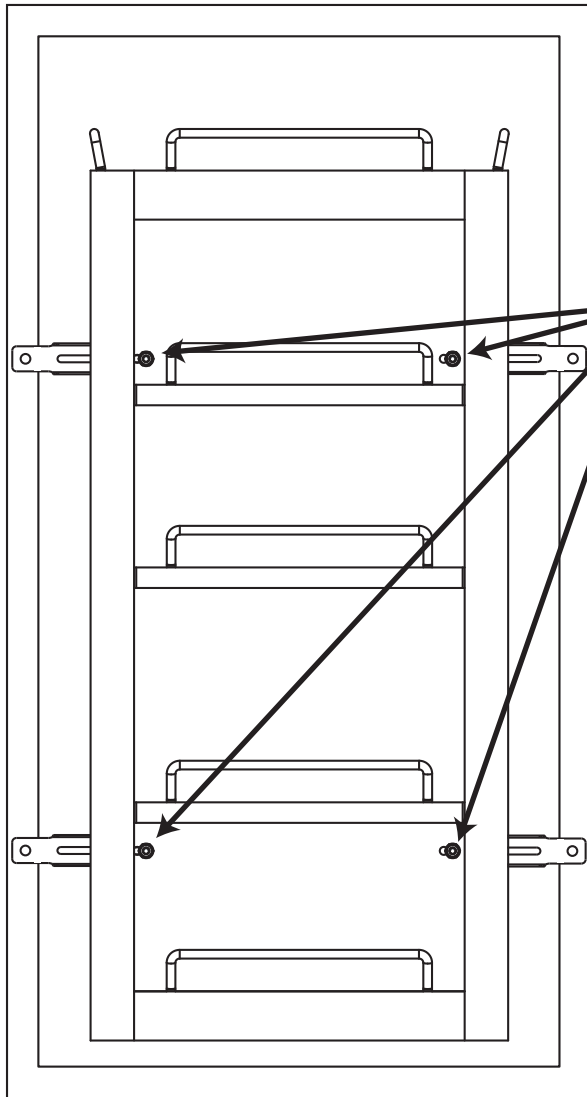


# 4W Series Installation Instructions



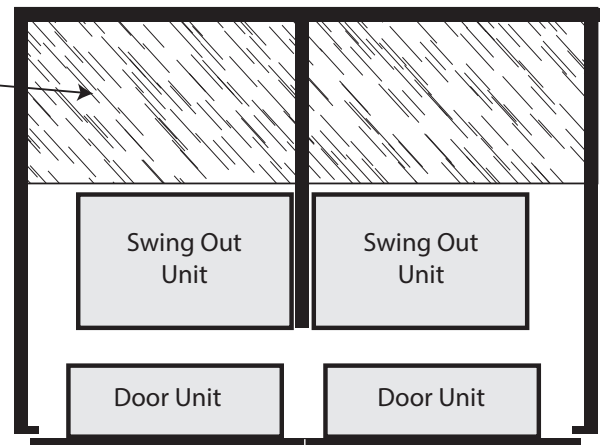
- Door Unit  
(25" tall version shown)



- Step 1. Loosen Adjustable Mounting Brackets (AMB's), adjust until unit is in center of door. (This is to ensure door swing clearance, away from non-hinge side of door)
- Step 2. Tighten AMB's after desired placement is achieved
- Step 3. Make sure bottom of unit clears cabinet opening. (If swing out unit is installed, door unit should be mounted at same height)
- Step 4. Screw unit into door frame using 4mm x 16mm screws provided for AMB's

## Top View Completed Installation

Fixed Shelves



12400 Earl Jones Way  
Louisville, KY 40299  
rev-a-shelf.com  
Customer Service: 800-626-1126

