

LSC2 Select

Selectable CCT & Output LED Linear Strip

Product Description

The new LSC2 Select LED Linear Strip adds on to our tried-and-true linear strip with selectable CCT and light output options. This versatile fixture is easy to surface mount on both ceilings and walls and can accommodate continuous runs. The LSC2 features a semi-circular, milky-white lens that offers a more polished aesthetic while eliminating hotspots, and is an economical, energy-efficient lighting alternative to single lamp fluorescent strips and some wraparound fixtures. For even greater energy savings, an optional microwave occupancy sensor is also available. The LSC2 delivers optimal performance and long life in a slim design that's ideal for general ambient lighting in retail, warehouse, residential utility, and light commercial or industrial applications.

Construction

- Durable 20 gauge steel construction
- Smooth formed sides for safe handling
- Similar form factor to single lamp fluorescent strip
- Lens/Array module for easier installation and ingress protection

Optical System

- Semi-circular, diffuser eliminates hotspots and pixelation
- Push button lens retention method securely holds diffuser in ceiling or wall mount
- CCT selectable at 3000K, 4000K, 5000K, 5700, or 6500K
- 80 CRI for good color definition in public places

Electrical

- Input voltage of 120-277VAC
- Dim-to-off dimming via 0-10VDC controls
- Sensor-Ready feature with 12V accessory output behind lens.
- Through wiring capable for continuous runs
- CCT and Wattage selector switches accessible on junction box
- Emergency backup available
- Power factor > 0.9
- THD < 10%
- Luminaire surge protection level: designed to withstand up to 2.5kV ring wave per ANSI C82.77-5-2017 requirements for Indoor Hard-wired and Indoor Portable Luminaires
- Operating temperature rating of -4°F to 122°F (-20°C to 50°C)

Controls

- Microwave Motion Sensor option available
- NICOR NLC compatible Microwave Motion Sensor option available
- 12V output from driver to power NICOR sensor
- Sensors install behind lens for seamless appearance

Mounting and installation

- Easy surface mount installation on ceilings or walls
- Quick release buttons for light chamber removal
- Safety-strap retained light chamber allows single person installation
- Multiple knockouts provided for wiring from back, sides or ends
- Features provided for surface, cable, or hook and chain mounting
- Cover plates provided for 4/O box surface installation
- For installations where power surge may be possible, NICOR recommends installing additional surge protection at the fixture or electrical distribution panel

Listings

- cULus 1598 Listed for damp locations
- DLC 5.1 Standard listed for direct ambient linear on all models
- DLC 5.1 Premium listed for stairway applications on all models
- DLC 5.1 Premium listed for Low Bay applications on 4' model
- DLC 5.1 Premium listed for High Bay applications on 8' model
- RoHS Compliant
- Meets FCC Part 15, Subpart B, Class A standards for conducted and radiated emissions
- TM-21 Reported L70(9k) life >50,000 hours
- LM-79, LM-80 testing performed in accordance with IESNA standards

Warranty

- 5-year limited system warranty standard
- Warranty does not cover product failure due to an overvoltage event (power surge)

Project

Catalog

Type

Date



LSCsv2
LED Linear Strip
2', 4', 8'
Selectable Wattage & CCT



LSC2 Select

Selectable CCT & Output LED Linear Strip

Ordering

Ordering Information								Example: LSC2440SUS8	
Series	Version	Size	Wattage	Voltage	CCT	CRI	Motion Sensor	Emergency	
LSC	2	2 (2 Foot)	25S	U (120-277V)	S (30/40/50/57/65K)	8 (80+)	(Blank)	(Blank)	
		4 (4 Foot)	40S				M (Microwave)	E1 (4W) ¹	
		8 (8 Foot)	80S				N (NLC Microwave)	E2 (8W) ²	
								E3 (18W) ²	

1. Only available on 2 foot model

2. Only available on 4 foot and 8 foot models

Specifications and dimensions subject to change without notice.

Accessories

Accessories sold separately

Continuous Run Bracket	LSC2CRBRACKET1WH
Snap-in Microwave Motion Sensor Kit	SENSORKITMW1WH
Remote Control for Snap In Sensor	SNAPINMWREMOTE
NLC Microwave Motion Sensor Kit	SENSORMWBT1KIT
Aircraft Cable Mounting Kit	HB-LG-120-18Y-PAD

Recommended Dimmers*

Lutron NTSTV-DV-WH
 Lutron DVSTV
 Cooper SF10P
 Legrand RH4FBL3PW

*Not a complete list. Check compatibility before installation.

LSC2 Select

Selectable CCT & Output LED Linear Strip

Performance Data

		Performance Data				Emergency Pack Performance Data		
Model	Output Setting	Nominal CCT	Lumens	Max Watts	Efficiency	E1 Lumens	E2 Lumens	E3 Lumens
LSC2225S	Standard	3000	1917	15.2	126.5	569	-	-
		4000	2100	14.5	144.4	650	-	-
		5000	2088	14.6	142.7	642	-	-
		5700	2066	14.8	139.5	628	-	-
		6500	1852	14.7	125.6	565	-	-
	Medium	3000	2551	20.2	126.3	568	-	-
		4000	2795	19.4	144.1	648	-	-
		5000	2779	19.5	142.4	641	-	-
		5700	2750	19.8	139.2	626	-	-
		6500	2700	19.7	137.4	618	-	-
	High	3000	3199	25.3	126.7	570	-	-
		4000	3505	24.5	143.1	644	-	-
		5000	3485	24.6	141.4	636	-	-
		5700	3448	24.9	138.3	622	-	-
		6500	3386	24.8	136.5	614	-	-
LSC2440S	Standard	3000	2562	20.3	126.3	-	1011	2274
		4000	2761	19.4	142.1	-	1137	2558
		5000	2788	19.3	144.7	-	1158	2605
		5700	2754	19.4	141.9	-	1135	2554
		6500	2558	20.1	127.6	-	1021	2296
	Medium	3000	3836	30.4	126.1	-	1009	2271
		4000	4135	29.1	141.9	-	1135	2554
		5000	4175	28.9	144.5	-	1156	2601
		5700	4124	29.1	141.7	-	1133	2550
		6500	4129	30.1	137.3	-	1098	2471
	High	3000	5131	40.6	126.5	-	1012	2278
		4000	5530	39.4	140.4	-	1123	2527
		5000	5584	39.1	143.0	-	1144	2574
		5700	5516	39.4	140.2	-	1121	2523
		6500	5523	40.7	135.8	-	1087	2445
LSC2880S	Standard	3000	7753	60.6	128.0	-	1024	2303
		4000	8314	58.2	142.8	-	1142	2571
		5000	8411	57.7	145.7	-	1166	2623
		5700	8345	58.3	143.2	-	1145	2577
		6500	7713	59.7	129.1	-	1033	2324
	Medium	3000	9031	70.7	127.8	-	1022	2300
		4000	9684	67.9	142.6	-	1141	2566
		5000	9797	67.3	145.5	-	1164	2619
		5700	9721	68.0	142.9	-	1144	2573
		6500	9634	69.7	138.2	-	1106	2488
	High	3000	10353	80.8	128.2	-	1025	2307
		4000	11102	78.4	141.6	-	1133	2550
		5000	11231	77.7	144.5	-	1156	2602
		5700	11144	78.5	142.0	-	1136	2556
		6500	11044	80.4	137.3	-	1099	2472

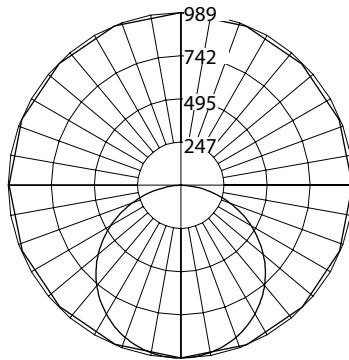
LSC2 Select

Selectable CCT & Output LED Linear Strip

Photometric Data

LSC2225S 40K 25W

Input Voltage (VAC)	120-277
System Level Power (W)	24.5
Delivered Lumens (Lm)	3505
System Efficacy (Lm/W)	143.1
Correlated Color Temp (K)	4235
Color Rendering Index (CRI)	86
Beam Angle (0)	132.3
Beam Angle (90)	100.2
Spacing Criteria (0)	1.18
Spacing Criteria (90)	1.36



Cone of Light Tabulation

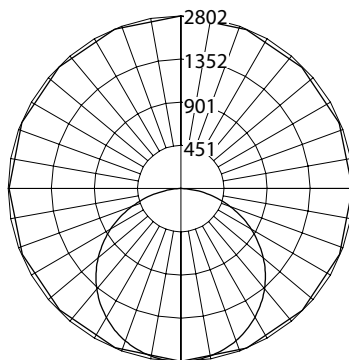
Mounted height (Feet)	Footcandles Beam Center	Diameter (Feet)
8	14.5	36.2
10	8.9	45.2
12	5.8	54.3
14	4.0	63.3

Data Multiplier

LSC2225S					
	35K	40K	50K	57K	65K
Low	0.547	0.599	0.596	0.589	0.579
Med	0.728	0.798	0.793	0.785	0.770
High	0.913	1.000	0.994	0.984	0.966

LSC2440S 40K 40W

Input Voltage (VAC)	120-277
System Level Power (W)	39.4
Delivered Lumens (Lm)	5530
System Efficacy (Lm/W)	140.4
Correlated Color Temp (K)	3844
Color Rendering Index (CRI)	86
Beam Angle (0)	118.0
Beam Angle (90)	101.3
Spacing Criteria (0)	1.18
Spacing Criteria (90)	1.22



Cone of Light Tabulation

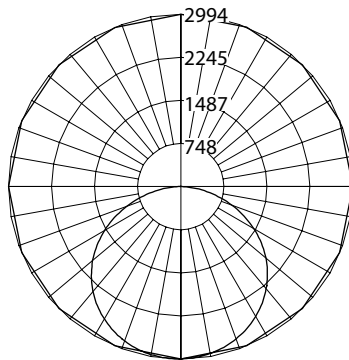
Mounted height (Feet)	Footcandles Beam Center	Diameter (Feet)
8	27.6	26.6
10	17.0	33.3
12	11.3	39.9
14	7.9	46.6

Data Multiplier

LSC2440S					
	35K	40K	50K	57K	65K
Low	0.463	0.499	0.504	0.498	0.499
Med	0.694	0.748	0.755	0.746	0.747
High	0.928	1.000	1.010	0.997	0.999

LSC2880S 40K 80W

Input Voltage (VAC)	120-277
System Level Power (W)	78.38
Delivered Lumens (Lm)	11102
System Efficacy (Lm/W)	141.6
Correlated Color Temp (K)	4227
Color Rendering Index (CRI)	86
Beam Angle (0)	138.8
Beam Angle (90)	104.9
Spacing Criteria (0)	1.22
Spacing Criteria (90)	1.34



Cone of Light Tabulation

Mounted height (Feet)	Footcandles Beam Center	Diameter (Feet)
8	45.8	42.6
10	28.5	53.2
12	19.0	63.9
14	13.3	74.5

Data Multiplier

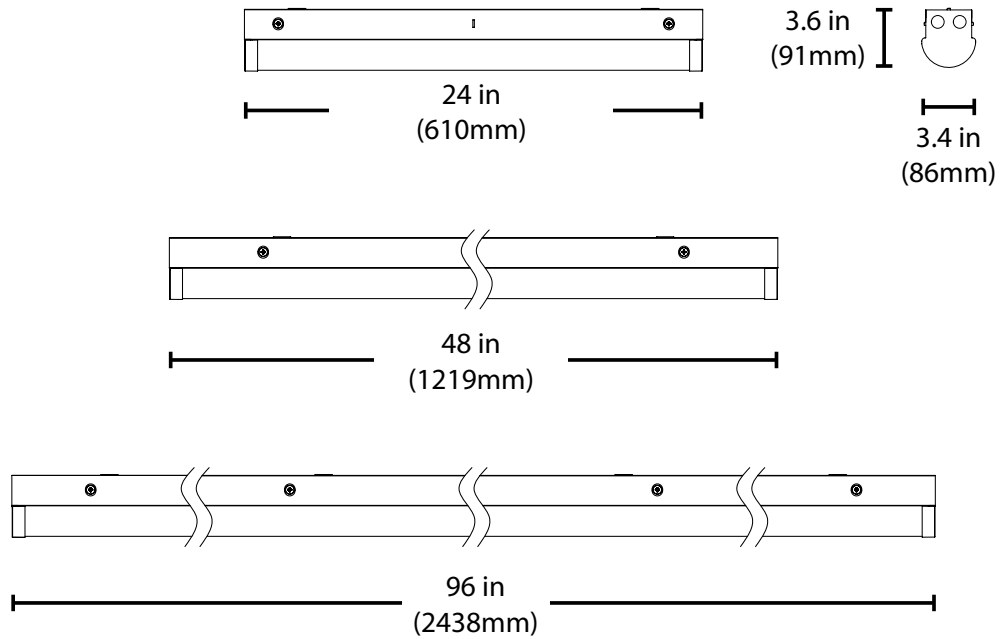
LSC2880S					
	35K	40K	50K	57K	65K
Low	0.698	0.749	0.758	0.752	0.745
Med	0.813	0.872	0.882	0.876	0.868
High	0.933	1.000	1.012	1.004	0.995

Fixture tested per LM-79-08. Photometric data is of the performance of a representative fixture. Results may vary in the field.

LSC2 Select

Selectable CCT & Output LED Linear Strip

Dimensions



This device complies with part 15 of the FCC Rules. Operation is subject to the following two conditions: (1) This device may not cause harmful interference, and (2) this device must accept any interference received, including interference that may cause undesired operation.

NOTE: This equipment has been tested and found to comply with the limits for a Class A digital device, pursuant to part 15 of the FCC Rules. These limits are designed to provide reasonable protection against harmful interference when the equipment is operated in a commercial environment. This equipment generates, uses, and can radiate radio frequency energy and, if not installed and used in accordance with the instruction manual, may cause harmful interference to radio communications. Operation of this equipment in a residential area is likely to cause harmful interference in which case the user will be required to correct the interference at his own expense.