



Tetra[®] PowerMAX HO

CHANNEL LETTER LIGHTING SYSTEMS

With powerful OptiLens™ X
and groundbreaking energy
efficiency

Tetra[®]PowerMAX HO— the remarkable 24V LED system designed for channel letters as shallow as 4 inches in depth, as well as single-sided cabinet signs, delivers incredibly uniform light, installs easily and operates efficiently. **Tetra[®]PowerMAX** is now IP66 and UL wet rated which makes it more robust and reliable than ever, even under wet weather.

Powerful OptiLens™ X

Tetra® PowerMAX features **OptiLens™ X**, our patented technology that allows for an incredible 170° viewing angle. This exclusive technology redirects otherwise wasted light to the sign face, making sure your signs shine.

Power Supply Loading

The new 24V **Tetra® PowerMAX HO** can load up to 64 feet (19.5 m) in the tied configuration or 64 modules of product per 100W power supply.

Improved stroke spacing

The improved 24V **Tetra® PowerMAX HO** stroke spacing requires less product, thanks to the new **OptiLens™ X** wide beam angle and increased light output. **PowerMAX HO** comes with additional wire length between modules that can be released by cutting a tie wire, eliminating the need to make connections between rows when used in cabinet sign applications or multiple stroke channel letters.



Tetra® PowerMAX HO Features

- Wide 170° beam angle
- Efficacy: 150 lm/W
- 24 Volt DC, Class 2 (UL), Class III (IEC)
- UL Wet Rated & IP66
- 10-year limited warranty

Tetra® PowerMAX HO Spacing

	Can Depth	Coverage
Large	6" (152mm)	17" (431.8mm)
	7" (178 mm)	19" (483 mm)
	≥ 8" (203 mm)	21" (533 mm)

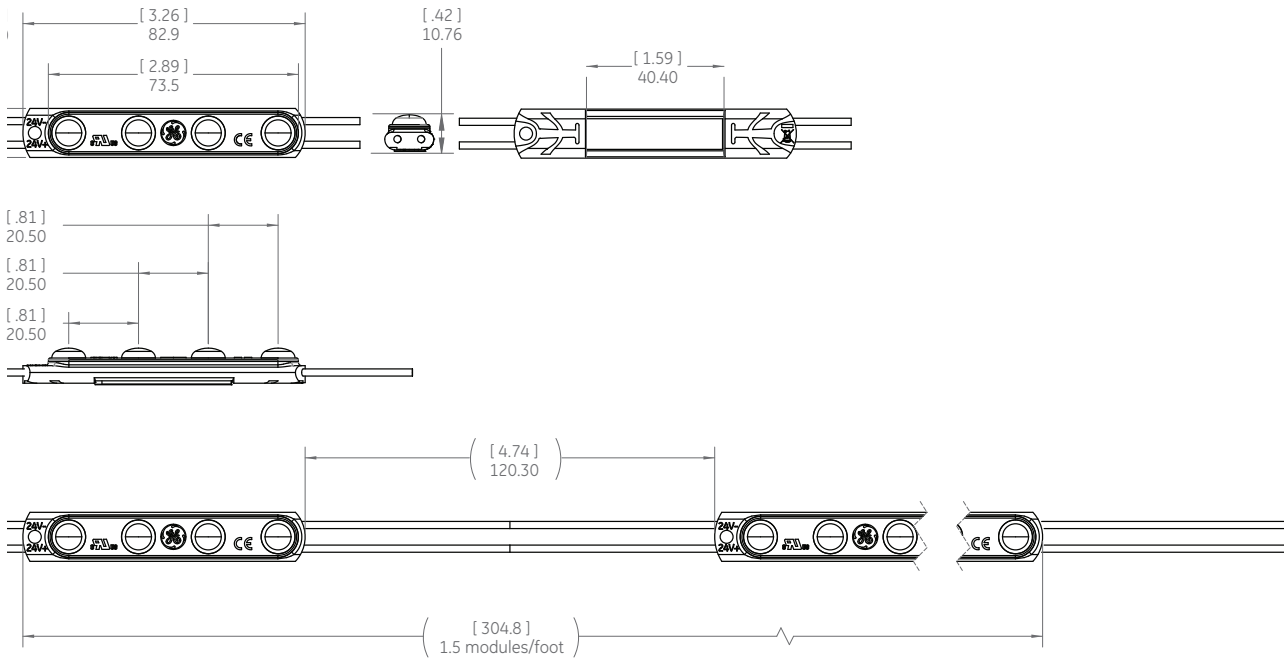
Total Reliability

To ensure every **Tetra® PowerMAX HO** installation will operate brilliantly for years, we perform the most extensive, stringent testing in the industry. We test the LED, water and dust ingress protection, sub-system and complete system at our in-house and independent laboratories around the world. Validation of our designs, components, products and processes include high temperature, high humidity and accelerated life testing.

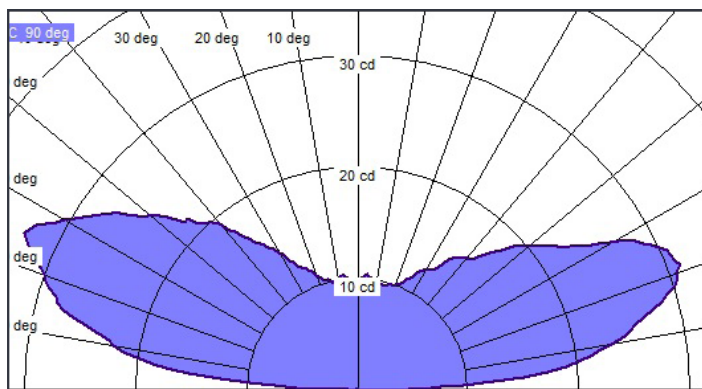


Mechanical Outline & Viewing Angle

Dimensions in (inches). Metric equivalent mm



Viewing angles



Accessories

SKU	Description	Package quantity
GETMEC1	18 AWG Wire End Caps (0.82 mm ²)	100/bag
9409	18 AWG Supply Wire (0.82 mm ²)	500 ft (152.40m)/spool
191600041	22-14 AWG Twist-on Wire Connector (0.33-2.08 mm ²)	500/bag
192160004	18-14 AWG In-line Splice Connector (0.82-2.08 mm ²)	500/bag

Components

SKU	Model	Details	Color	Pkg. Quantity	Modules per strip
93132009	GEPMH2471-W1B	Tetra® PowerMAX HO 24V 7100K	White	600 Modules/Box	1.5 Modules/ft (5 Modules/m)
93067977	GEPMH2471-W1CS1	Tetra® PowerMAX HO 24V 7100K	White	5 Strips/Box	35 modules per strip (70 ft/strip)
93118731	GEPMH2465-W1CS1	Tetra® PowerMAX HO 24V 6500K	Warm White	5 Strips/Box	35 modules per strip (70 ft/strip)
93067978	GEPMH2450-W1CS1	Tetra® PowerMAX HO 24V 5000K	Warm White	5 Strips/Box	35 modules per strip (70 ft/strip)
93067979	GEPMH2441-W1CS1	Tetra® PowerMAX HO 24V 4100K	Warm White	5 Strips/Box	35 modules per strip (70 ft/strip)
93067980	GEPMH2432-W1CS1	Tetra® PowerMAX HO 24V 3200K	Warm White	5 Strips/Box	35 modules per strip (70 ft/strip)

Technical Specifications

Model	Wavelength/ CCT	Typical Brightness Lumens/module	Typical Brightness Lumens/Ft (Lumens/m)	Energy Consumption Module Wattage	Energy Consumption System Wattage	100W GLX Power Supply Loading	Viewing Angle
GEPMH2471-W1B	7100K	180	270 (900)	1.2 W/module	1.41 W/module	43 ft (13 m)	170°
GEPMH2471-W1CS1	7100K	180	180 (590)	1.2 W/module	1.41 W/module	64 ft (19.5 m)	170°
GEPMH2465-W1CS1	6500K	180	180 (590)	1.2 W/module	1.41 W/module	64 ft (19.5 m)	170°
GEPMH2450-W1CS1	5000K	180	180 (590)	1.2 W/module	1.41 W/module	64 ft (19.5 m)	170°
GEPMH2441-W1CS1	4100K	180	180 (590)	1.2 W/module	1.41 W/module	64 ft (19.5 m)	170°
GEPMH2432-W1CS1	3200K	160	160 (525)	1.2 W/module	1.41 W/module	64 ft (19.5 m)	170°

Additional Specifications

	Specification (Tied Wire)	Specification (Stretched Wire)	Specification (W1B)		
LEDs/Module	4	4	4		
LEDs/ft (LEDs/m)	4 (13.1)	2 (6.6)	6 (20)		
Modules/ ft. (Modules/m)	1.0 (3.3)	0.5 (1.6)	1.5 (5)		
Cutting Resolution	Cut on wire between every module				
Power Supply	GEPS24-25U Input: 100-305VAC; Output: 24VDC GEPS24D-60U Input: 90-305VAC; Output: 24VDC GEPS24-100U Input: 108-305VAC; Output: 24VDC GEPS24-150U Input: 176-305VAC; Output: 24VDC GEPS24-200U Input: 90-305VAC; Output: 24VDC GEPS24-300U Input: 108-305VAC; Output: 24VDC				
Maximum Supply Wire Limits		18 AWG/0.82 mm ² Supply Wire	16 AWG/1.31 mm ² Supply Wire	14 AWG/2.08 mm ² Supply Wire	12 AWG/3.31 mm ² Supply Wire
	25W Power Supply	120 ft./36.6 m	/	/	/
	60W Power Supply	20 ft./6.1 m	25 ft./7.6 m	35 ft./10.6 m	40 ft./12.1 m
	100W Power Supply	20 ft./6.1 m	25 ft./7.6 m	35 ft./10.6 m	40 ft./12.1 m
	150W Power Supply	20 ft./6.1 m	25 ft./7.6 m	35 ft./10.6 m	40 ft./12.1 m
	200W Power Supply	20 ft./6.1 m	25 ft./7.6 m	35 ft./10.6 m	40 ft./12.1 m
300W Power Supply	20 ft./6.1 m	25 ft./7.6 m	35 ft./10.6 m	40 ft./12.1 m	
Operating Environment	-40 °C to +60 °C (-40 °F to +140 °F)				
Module Dimensions (h x l x w)	.42" x 3.26" x 0.57" (10.76 mm x 82.9 mm x 14.4 mm)				
Warranty	Limited system warranty of up to ten (10) years				
System Certifications	UL Recognized #E219167, UL Classified #E229508, CE, UKCA, IP66, Acceptable to use in dry, damp, and wet locations.				

