

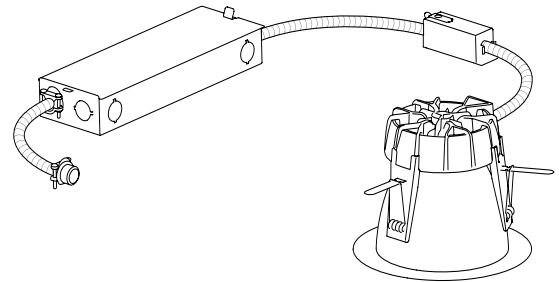
Lumination® LED Luminaire

LRC Series



BEFORE YOU BEGIN

Read these instructions completely and carefully.



⚠ WARNING / AVERTISSEMENT

RISK OF FIRE OR ELECTRIC SHOCK

- Turn power off before inspection, installation or removal.
- Properly ground electrical enclosure.
- Follow all NEC and local codes.
- Use only UL approved wire for input/output connections. Minimum size 18 AWG or 14 AWG for continuous runs.
- Installation of this retrofit assembly requires a person familiar with the construction and operation of the luminaire's electrical system and the hazard involved. If not qualified, do not attempt installation. Contact a qualified electrician.
- To prevent wiring damage or abrasion, do not expose wiring to edges of sheet metal or other sharp objects.
- Do not make or alter any open holes in an enclosure of wiring or electrical components during kit installation.
- Fixture may fall down if not installed properly, follow installation instructions.
- Wear safety glasses and proper aid during installation and maintenance.
- Luminaire wiring and electrical parts may be damaged when drilling for installation of LED retrofit kit. Check for enclosed wiring and components.
- Install this kit only in the luminaires that has the construction features and dimensions shown in the photographs and/or drawings.

RISQUES D'INCENDIE OU DE DÉCHARGES ÉLECTRIQUES

- Coupez l'alimentation avant d'inspecter, installer ou déplacer le luminaire.
- Assurez-vous de correctement mettre à la terre le boîtier d'alimentation électrique.
- Respectez tous les codes NEC et codes locaux.
- N'utilisez que des fils approuvés par UL pour les entrées/sorties de connexion. Taille minimum 18 AWG ou 14 AWG pour les rangées continues.
- L'installation de cet ensemble de réaménagement nécessite une personne familiarisée avec la construction et le fonctionnement du système électrique du luminaire et avec les risques encourus. Si non qualifié, ne tentez pas l'installation. Contactez un électricien qualifié.
- Pour prévenir les dommages ou l'abrasion de fils électriques, ne pas exposer les fils aux arêtes de pièce de tôlerie ou n'importe quels autres objets tranchant.
- Ne pas percer ou altérer les trous d'un boîtier contenant fil ou composant électrique durant l'installation.
- Le luminaire peut tomber s'il n'est pas installé correctement, suivre les instructions d'installation.
- Porter des lunettes de sécurité et les aides appropriées lors de l'installation et de l'entretien.
- Câblage du luminaire et pièces électriques peuvent être endommagés lors du fraisage pour l'installation du kit de conversion à DEL. Vérifier le câblage et les composants clos.
- Installez ce kit uniquement dans les appareils d'éclairage qui a les caractéristiques de la construction et les dimensions indiquées dans les photographies et/ou dessins.

Save These Instructions

Use only in the manner intended by the manufacturer. If you have any questions, contact the manufacturer.

The retrofit kit is accepted as a component of a luminaire where the suitability of the combination shall be determined by UL or authorities having jurisdiction.

Prepare Electrical Wiring



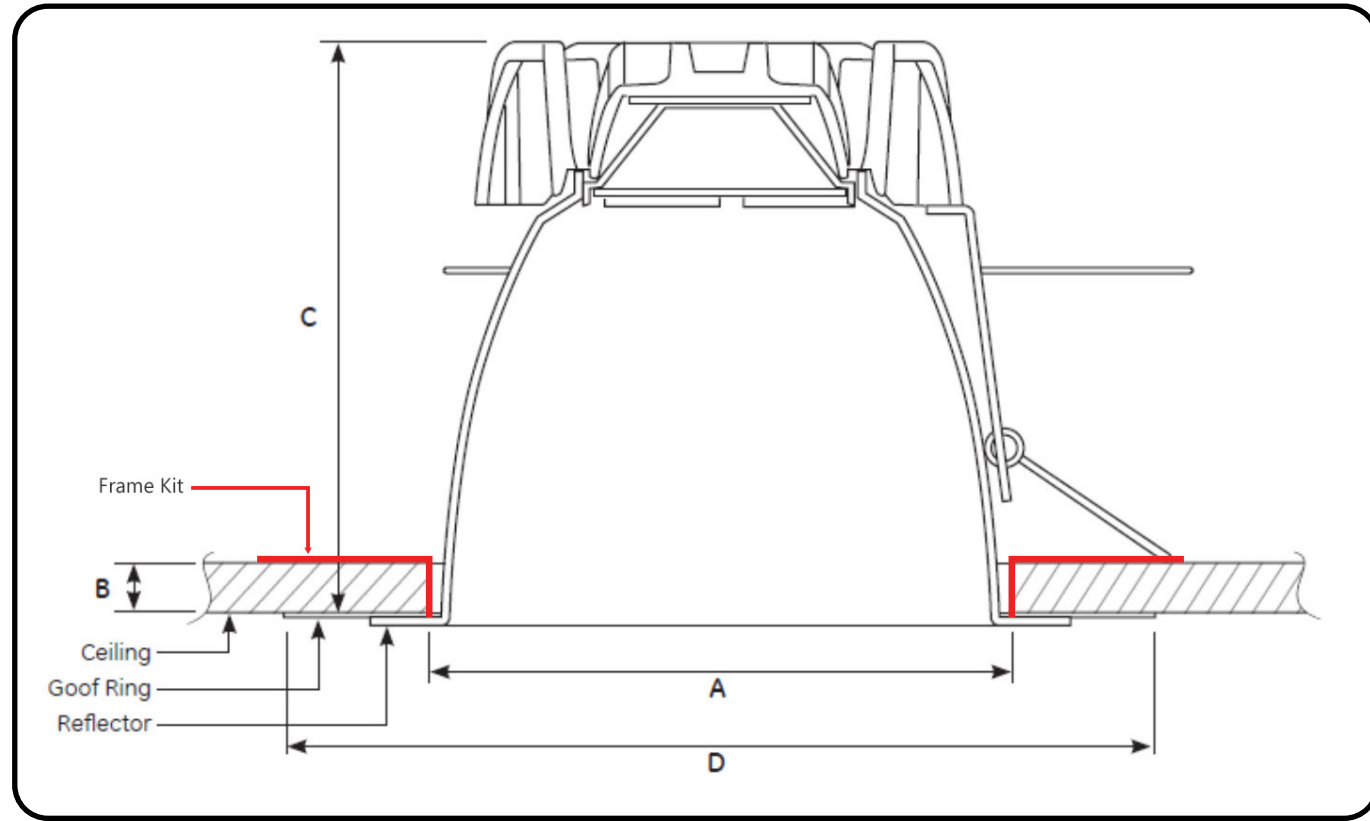
Electrical Requirements

The fixture must be supplied with 120V for LRCXXX1XXXXXXXXXXXXXXXXXXXX, 277V for LRCXXX4XXXXXXXXXXXXXXXXXXXX, 347V for LRCXXXDXXXXXXXXXXXXXXXXXXXX, 50/60 Hz and connected to an individual properly grounded branch circuit, protected by a 20 ampere circuit breaker. Use min. 75°C supply conductors.



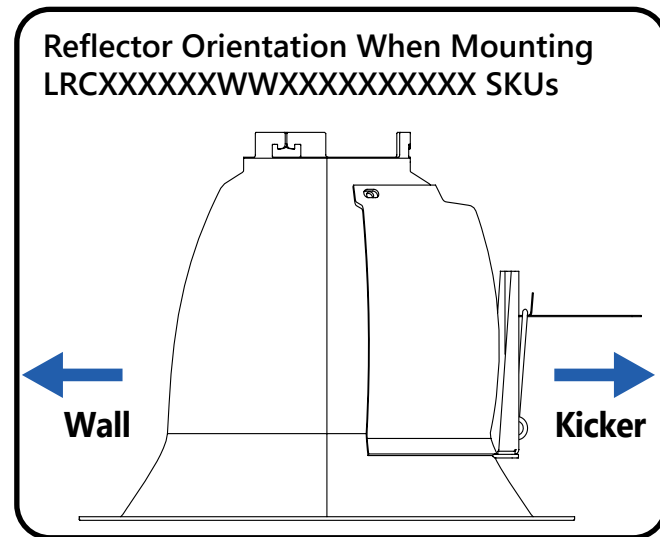
Grounding Instructions

The grounding and bonding of the overall system shall be done in accordance with National Electric Code (NEC) Article 600 and local codes.

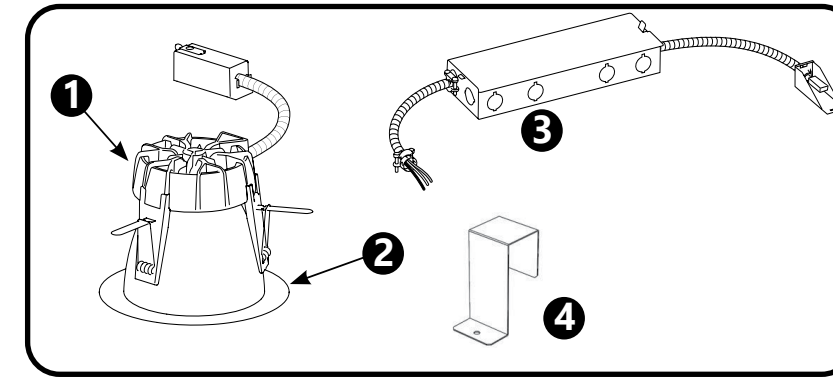


Dimension	Item	RC6	RC8	RC10	RC12
A	Applicable Hole Diameter (inches)	6.4 – 6.8	7.5 – 8.5	9.5 – 10	11.75 – 12.25
B	Applicable Ceiling Thickness (inches)	0.5 – 1.3	0.5 – 1.3	0.5 – 1.3	0.5 – 1.3
C	Height from Bottom of Ceiling (inches) (1000lm, 1500lm, 2000lm, 3000lm)	5.9	7.3	8.7	9.7
C	Height from Bottom of Ceiling (inches) (4000lm)	6.65	8.1	9.35	10.45
D	Max Applicable Hole Diameter (inches) w/ Goof Ring	8.5	10.2	12.1	N/A

Minimum Spacing Requirements for all Fixture Configurations	
Center to center of adjacent luminaires	24"
Top of Luminaire to overhead building member	3"
Luminaire center to side building member	12"



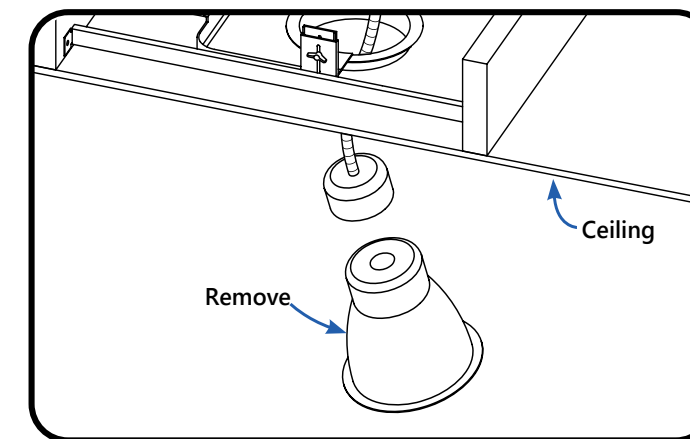
Items Required for Installation (Standard)



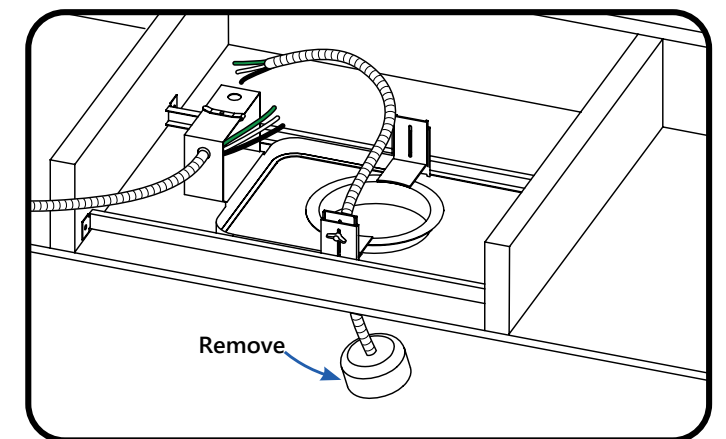
- ① Fixture Assembly (1 qty.)
- ② Reflector (1 qty.)
- ③ Driver Enclosure Assembly (1 qty.)
- ④ Support Bracket (1 qty.)

Installation (Standard)

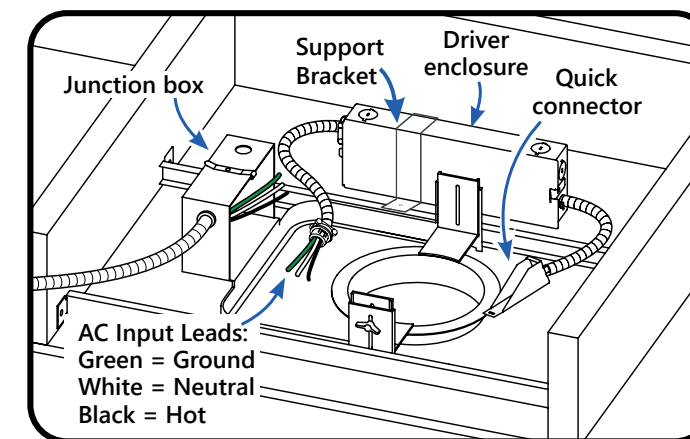
① SHUT OFF POWER to the lighting system.



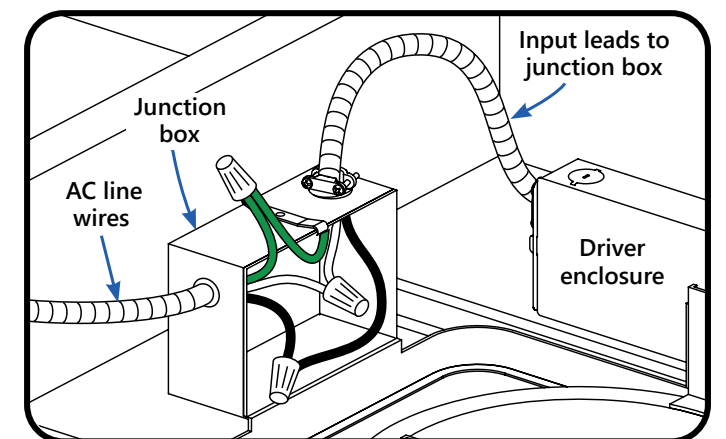
② Remove existing lamp and reflector.



③ Disconnect wiring. Remove old components, such as lamp sockets, ballasts, etc. while retaining existing rough-in kit components.

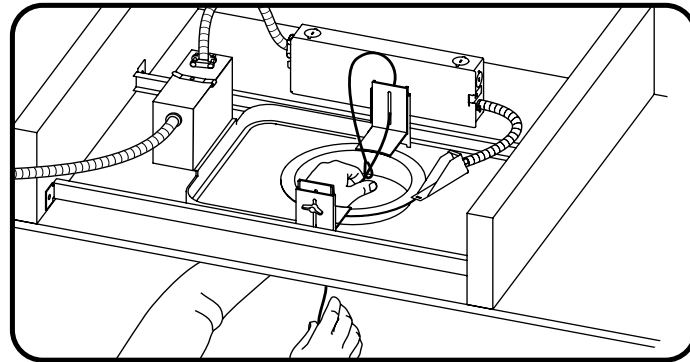


④ Place the driver enclosure portion of the fixture assembly in the ceiling next to the rough-in kit so that the input leads are in close proximity to the existing junction box to facilitate easy wiring. The driver enclosure shall be secured to the existing frame.

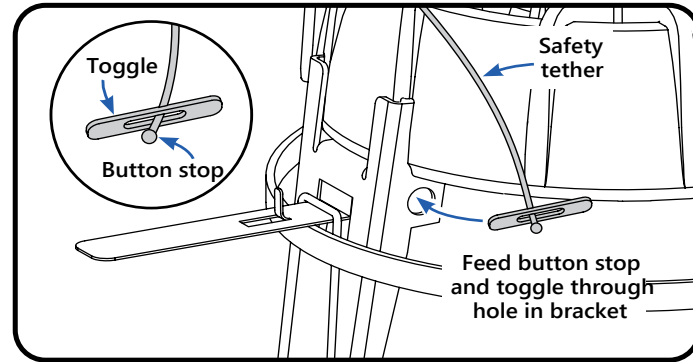


⑤ Connect conduit end with input leads to existing junction box. Connect the black, white and green wires of the input leads to the black, white and green AC line wires using twist-on wire connectors and close up the existing junction box.

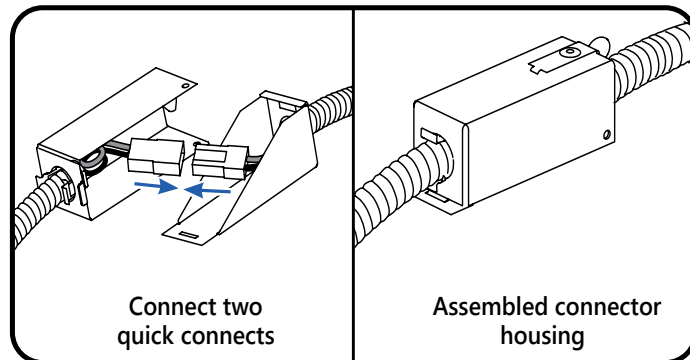
NOTE: See wiring diagram on last page if connecting an optional dimming line



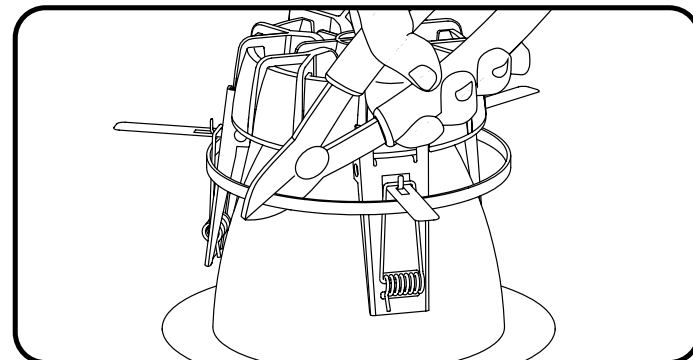
⑥ Take the provided safety tether and loop one end of the tether to existing rough-in kit.



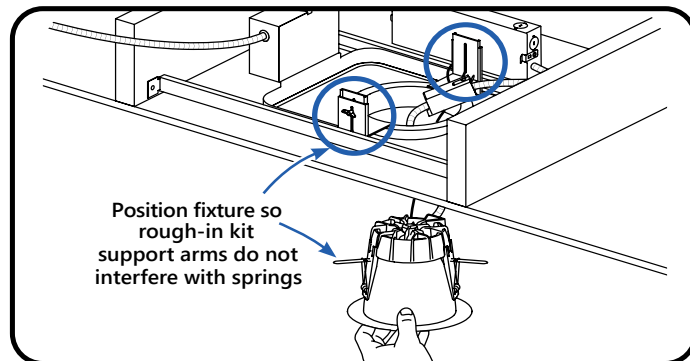
⑦ Attach the other end of the safety tether to the fixture using one of the three holes located on the fixture brackets. Feed the button stop and toggle through the hole and slide into the hole in the bracket. Allow the fixture to hang freely.



⑧ Connect the fixture assembly to the driver enclosure assembly with the supplied quick connects and assemble the connector housing when finished.

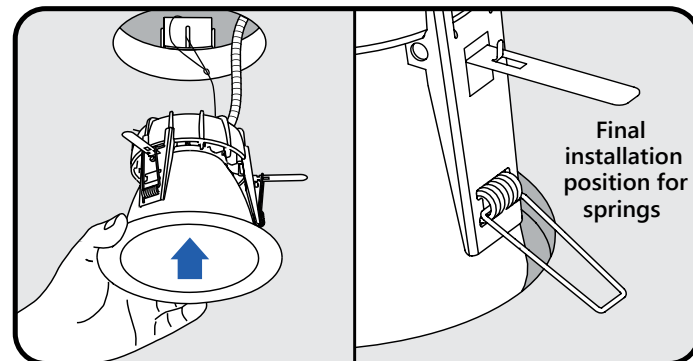


⑨ Cut cable tie on fixture so that the fixture is ready to be installed.



⑩ Position the fixture below the ceiling so that two of the three springs are on each side of the rough-in kit support arms. This is necessary in order to make sure that when the springs release, the rough-in kit support arms don't interfere and prevent the springs from making contact with the top of the ceiling for proper support.

NOTE: Ensure the fixture is positioned properly before installing in the ceiling so the springs don't interfere with the support arms.

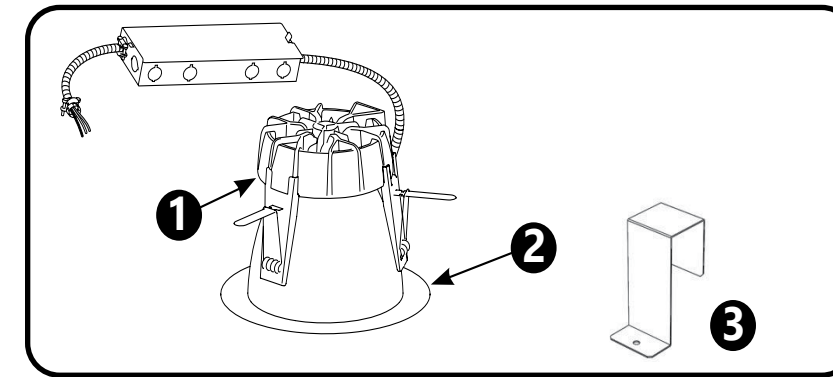


⑪ Push fixture through the hole in the ceiling. This will engage the protruding arms, thus, releasing the springs. The springs will draw the fixture up into the ceiling and hold it there tightly.

CAUTION

RISK OF PERSONAL INJURY - Operators shall ensure no appendages are in the path of the torsion springs as they are a pinch hazard when released. The springs will release when the arm is flexed downward. Be cautious that no body part is in the path of the spring when released.

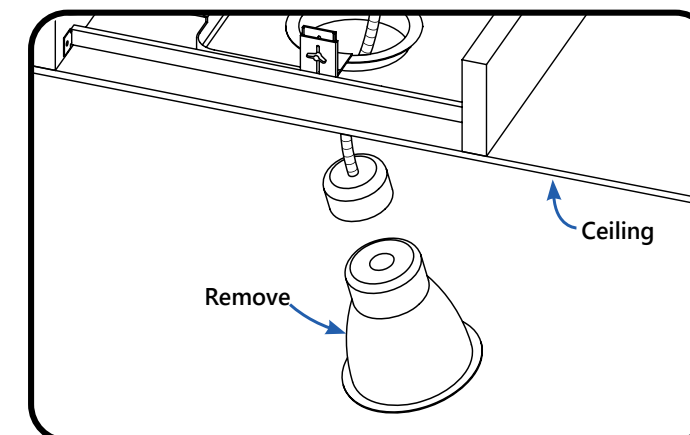
Items Required for Installation (CCEA)



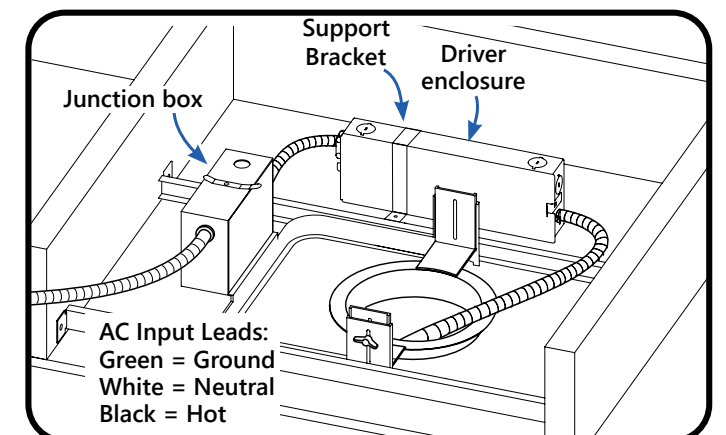
- ① Fixture Assembly (1 qty.)
- ② Reflector (1 qty.)
- ③ Support Bracket (1 qty.)

Installation (CCEA)

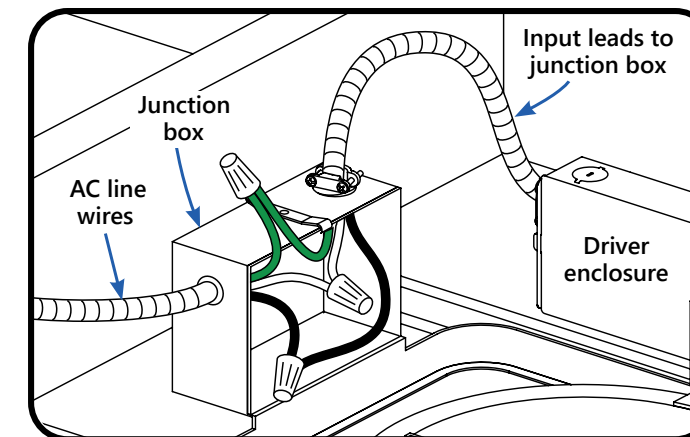
① SHUT OFF POWER to the lighting system.



② Remove existing lamp and reflector.

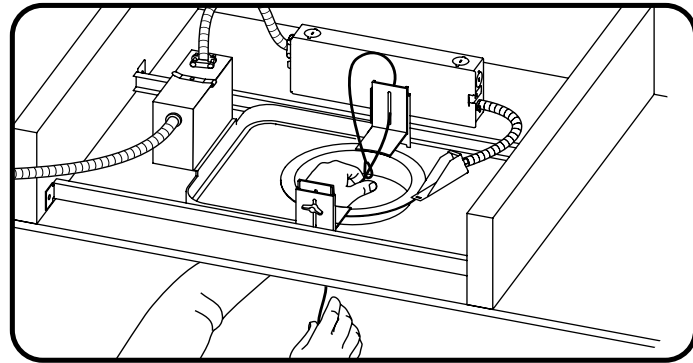


③ Place the driver enclosure portion of the fixture assembly in the ceiling next to the rough-in kit so that the input leads are in close proximity to the driver enclosure. The driver enclosure shall be mounted to the existing frame.

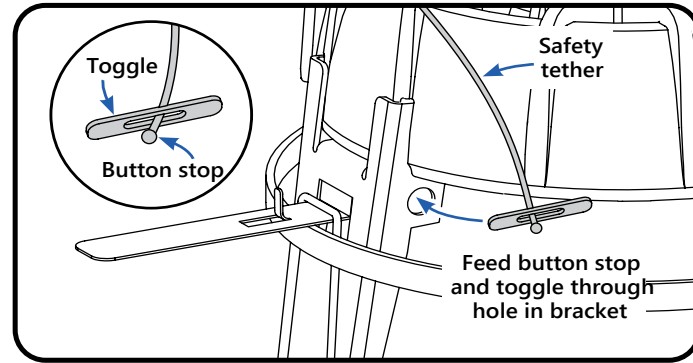


NOTE: Verify conduit to ensure no defect or openings on both the AC and DC conduits. Ensure DC conduit placement does not result in additional stress upon full installation of luminaire

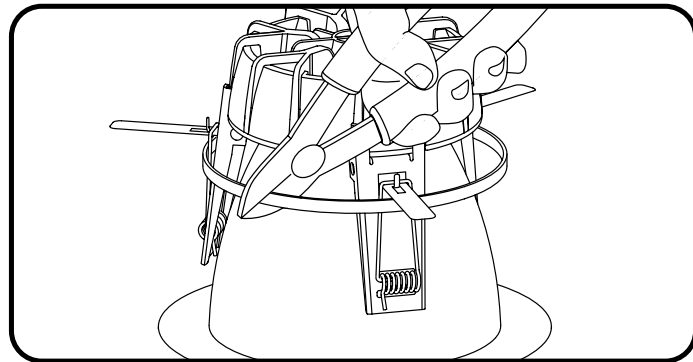
NOTE: See wiring diagram on last page if connecting an optional dimming line.



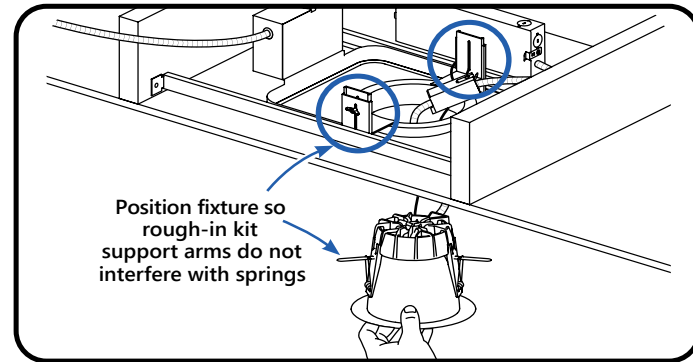
5 Take the provided safety tether and loop one end of the tether to existing rough-in kit.



6 Attach the other end of the safety tether to the fixture using one of the three holes located on the fixture brackets. Feed the button stop and toggle through the hole and slide into the hole in the bracket. Allow the fixture to hang freely.

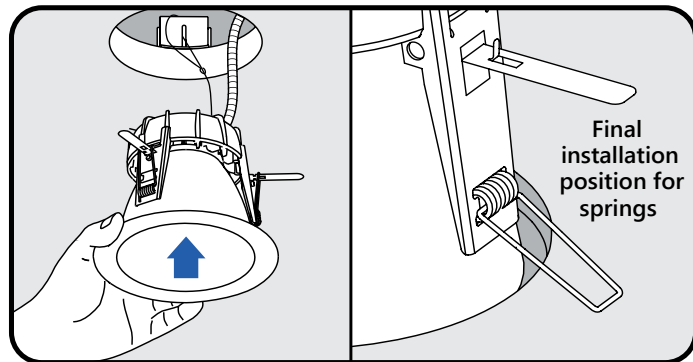


7 Cut cable tie on fixture so that the fixture is ready to be installed.



8 Position the fixture below the ceiling so that two of the three springs are on each side of the rough-in kit support arms. This is necessary in order to make sure that when the springs release, the rough-in kit support arms don't interfere and prevent the springs from making contact with the top of the ceiling for proper support.

NOTE: Ensure the fixture is positioned properly before installing in the ceiling so the springs don't interfere with the support arms and no additional stress is placed on DC conduit.

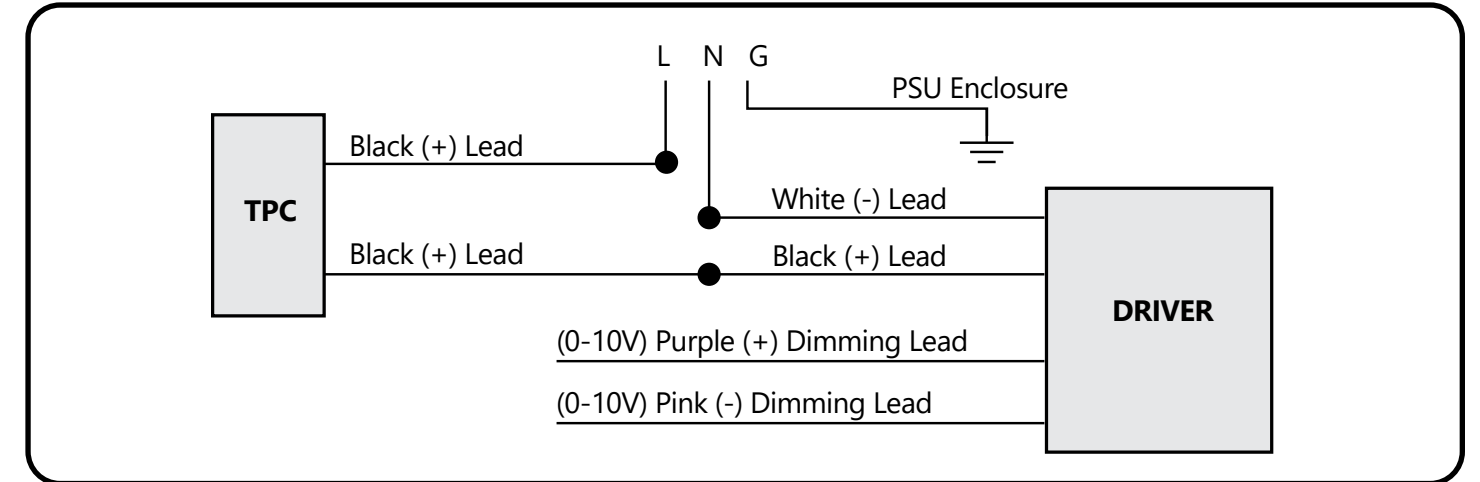


9 Push fixture through the hole in the ceiling. This will engage the protruding arms, thus, releasing the springs. The springs will draw the fixture up into the ceiling and hold it there tightly.

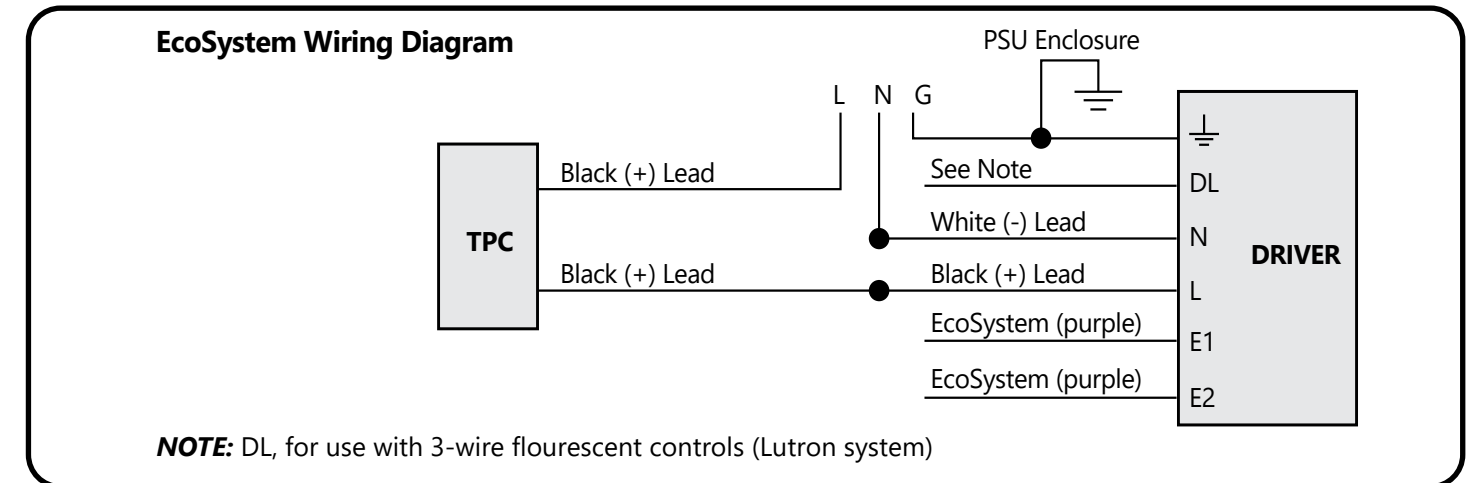
CAUTION

RISK OF PERSONAL INJURY - Operators shall ensure no appendages are in the path of the torsion springs as they are a pinch hazard when released. The springs will release when the arm is flexed downward. Be cautious that no body part is in the path of the spring when released.

Wiring Diagram



Lutron Controller (optional)



Limited 5 Year Warranty.

This device complies with Part 15 of the FCC Rules. Operation is subject to the following two conditions: (1) This device may not cause harmful interference, and (2) this device must accept any interference received, including interference that may cause undesired operation. This Class [A] RFLD complies with the Canadian standard ICES-005. Ce DEFR de la classe [A] est conforme à la NMB-005 du Canada.

Note: This equipment has been tested and found to comply with the limits for a Class A digital device, pursuant to part 15 of the FCC Rules. These limits are designed to provide reasonable protection against harmful interference when the equipment is operated in a commercial environment. This equipment generates, uses, and can radiate radio frequency energy and, if not installed and used in accordance with the instruction manual, may cause harmful interference to radio communications. Operation of this equipment in a residential area is likely to cause harmful interference in which case the user will be required to correct the interference at his own expense.