

Arize Element® L2000

Horticulture LED Lighting System



- EN** For the latest European install guides and safety information: <https://www.LED.com/hort>
- BG** Българската версия на инструкциите за инсталация и информация за безопасност могат да бъдат намерени на следния адрес: <https://www.LED.com/hort>
- CS** Návod k montáži a bezpečnostní informace v češtině najdete zde: <https://www.LED.com/hort>
- DA** Den danske version af installationsvejledningen og sikkerhedsoplysninger kan findes på følgende placering: <https://www.LED.com/hort>
- DE** Die deutsche Version der Installationsanleitung und Sicherheitsinformationen finden Sie in folgendem Verzeichnis: <https://www.LED.com/hort>
- EL** Μπορείτε να βρείτε την ελληνική εκδοχή των οδηγιών εγκατάστασης και των πληροφοριών ασφάλειας στην εξής τοποθεσία: <https://www.LED.com/hort>
- ES** La versión española de las instrucciones de instalación y la información sobre seguridad puede encontrarse en la siguiente ubicación: <https://www.LED.com/hort>
- ET** Eestikeelse paigaldusjuhendi ja ohutusnõuded leiate aadressilt: <https://www.LED.com/hort>
- FI** Asennusohjeiden ja turvallisuustietojen suomenkielinen versio löytyy seuraavasta paikasta: <https://www.LED.com/hort>
- FR** La version française des instructions d'installations et information de sécurité est disponible à l'adresse suivante: <https://www.LED.com/hort>
- HR** Hrvatska verzija priručnika za ugradnju i sigurnosnih informacija nalazi se na sljedećoj lokaciji: <https://www.LED.com/hort>
- HU** A telepítési útmutató és a biztonságos információk magyar nyelvű változata az alábbi címen található: <https://www.LED.com/hort>
- IT** La versione italiana del manuale di installazione e sicurezza può essere reperita nella seguente sezione: <https://www.LED.com/hort>
- LT** Lietuvišką diegimo instrukcijos ir saugos informacijos versiją galima rasti šioje vietoje: <https://www.LED.com/hort>
- LV** Uzstādīšanas instrukciju un drošības informāciju latviešu valodā var atrast šeit: <https://www.LED.com/hort>
- NL** De Nederlandse versie van de installatie-instructies en veiligheidsinformatie kan op de volgende locatie worden gevonden: <https://www.LED.com/hort>
- PL** Polską wersję instrukcji instalacji oraz informacje dotyczące bezpieczeństwa można znaleźć w następującej lokalizacji: <https://www.LED.com/hort>
- PT** A versão em Português das instruções de instalação e das informações de segurança pode ser encontrada na seguinte localização: <https://www.LED.com/hort>
- RO** Versiunea în limba română a instrucțiunilor de instalare și a informațiilor de siguranță pot fi găsite la: <https://www.LED.com/hort>
- SV** Ni hittar den svenska versionen av installationsanvisningarna och säkerhetsinformationen på följande plats: <https://www.LED.com/hort>
- SL** Previdnostna opozorila in varnostne informacije so na zadnji strani vodnika za namestitve. Pred začetkom namestitve izdelka jih skrbno preberite: <https://www.LED.com/hort>
- SK** Slovenskú verziu montážnej príručky a bezpečnostných instrukcií nájdete na nasledujúcej lokalite: <https://www.LED.com/hort>



For the UL installation guide and safety information, please continue to page 2
Pour la version UL des instructions d'installations et information de sécurité, continuez à la page 2

**BEFORE YOU BEGIN / AVANT DE COMMENCER**

Read these instructions completely and carefully. Lisez attentivement ces instructions dans leur intégralité.

For Commercial or Industrial use only.

DO NOT MAKE OR BREAK ELECTRICAL CONNECTION WHILE POWER IS APPLIED.

⚠ WARNING / AVERTISSEMENT**RISK OF ELECTRIC SHOCK**

- Turn power off before installation, inspection, cleaning or removal. And follow appropriate lock out/tag out safety procedure.
- Properly ground electrical enclosure.
- Follow all National Electric Codes (NEC) and local codes.
- This product must be installed in accordance with the applicable installation code by a person familiar with the construction and operation of the product and the hazards involved.
- The installation and associated structures are subject to approval by the authority having jurisdiction.
- Use only with components identified in this document.
- Suitable for dry, damp, and wet locations; Do not immerse any component.
- Wear suitable Personal Protective Equipment (PPE) during installation/maintenance. Highly recommend safety glasses, helmet and leather glove for luminaire mounting.
- Luminaire design for Greenhouse only.

RISK OF FIRE

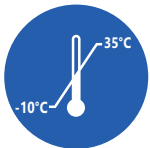
- Minimum 24 inch distance from light module & driver to any combustible material.
- The light module shall be installed lens down with a minimum 24 inch distance to anything below.
- All cables including connectors shall not be concealed or extended through a wall, floor, ceiling, or other parts of the building structure; located above a suspended ceiling or dropped ceiling; permanently affixed to the building structure.
- Cables shall be routed so that they are not subject to strain and are protected from physical damage; visible over their entire length; and used within their rated ampacity as determined for the maximum temperature of the installed environment specified in the instructions.
- For safe operation, and to maximize the longevity of the luminaire; ensure that the light module and driver are clean and free of dirt, dust, oil, or any other debris. Do not apply any kind of film on the lens or otherwise cover the driver or light engine in any way.

RISQUE DE CHOC ELECTRIQUE

- Coupez l'alimentation avant l'inspection, l'installation ou la désinstallation.
- Reliez correctement le boîtier électrique à la mise à la terre.
- Suivre tous les codes électriques locaux applicables.
- Ce produit doit être installé selon le code d'installation pertinent, par une personne qui connaît bien le produit et son fonctionnement ainsi que les risques inhérents.
- L'installation et les structures associées sont soumises à l'approbation des autorités compétentes.
- Utilisez uniquement avec les composants identifiés dans ce document.
- Convient aux endroits secs, humides et mouillés. Ne doit pas être immergé.
- Portez les équipements de protection individuelle appropriés pendant l'installation et la maintenance. L'utilisation de lunettes de sécurité, d'un casque et des gants de cuir pour le montage du luminaire est fortement recommandée.
- Luminaire conçu pour serres seulement.

RISQUE D'INCENDIE

- Distance minimale de 24 pouces entre l'équipement d'éclairage et toute matière combustible.
- Le luminaire doit être installé avec l'objectif pointé vers le bas avec une distance minimale de 24 pouces entre le luminaire et tout objet.
- Les câbles et connecteurs ne doivent pas être dissimulés à l'intérieur, ou passer à travers, d'un mur, d'un plancher, d'un plafond ou de toute autre partie de la structure du bâtiment; ne doivent pas être placés au-dessus d'un plafond suspendu; ne doivent pas faire partie intégrante de la structure du bâtiment.
- Les câbles doivent être installés de façon à être protégés contre l'éirement et tout autre bris physique; visibles sur toute leur longueur; utilisés dans la limite de leur courant admissible, déterminée pour les limites de température de l'environnement spécifiées dans le guide d'instruction.
- Pour une opération sécurisée et pour maximiser la longévité du luminaire; S'assurer que le module d'éclairage et le module d'alimentation sont propres et sans saleté, poussière, huile ou autres débris. Ne pas appliquer tout type de film sur les lentilles et ne pas couvrir le module d'alimentation ou le module d'éclairage de quelque manière.

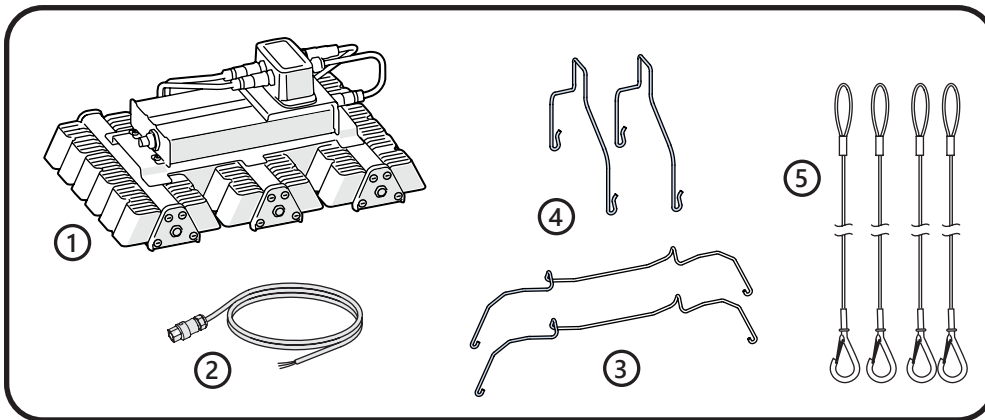
**Suitable for operation in an ambient temperature between 14°F (-10°C) and 95°F (35°C).**

A mechanical ventilation or cooling system is required to maintain the temperature within the growing space below 95°F (35°C) when the light module is in operation.

Opération compatible avec un environnement à température ambiante contrôlée entre 14°F (-10°C) et 95°F (35°C).

L'utilisation d'un système de contrôle de la température sera nécessaire pour garder la serre sous les 95°F (35°C) lorsque le luminaire est en fonction.

Components



- ① Arize Element® L2000
- ② AC input leader cable
- ③ Light module brackets
- ④ 1-5/8" (41mm) Wire Hangers (included); or
- ⑤ Suspension cables (optional)

Luminaire Specifications

Order Code	Weight	System Input Current [A] @ 277/347/480VAC
GEHE-M3PKT-5WN2-xx	14.5 kg (32 lbs)	3.6/2.9/2.2
GEHE-M3PKR-5WN2-xx	14.5 kg (32 lbs)	3.8/3.0/2.2
GEHE-T3PKF-5WN2-xx	14.5 kg (32 lbs)	3.4/2.7/2.0

Interconnection Cable Specifications

Description	Detailed Description
GECA60C16-OL04B	AC Leader Cable, 4ft, UL
GECA60FNA-NL00B	AC Field Installable Connector, UL and CE (Wieland P.N. 96.031.4155.7)
GECA30H20-OO03B	Dimming cable, 3ft (914mm), UL and CE

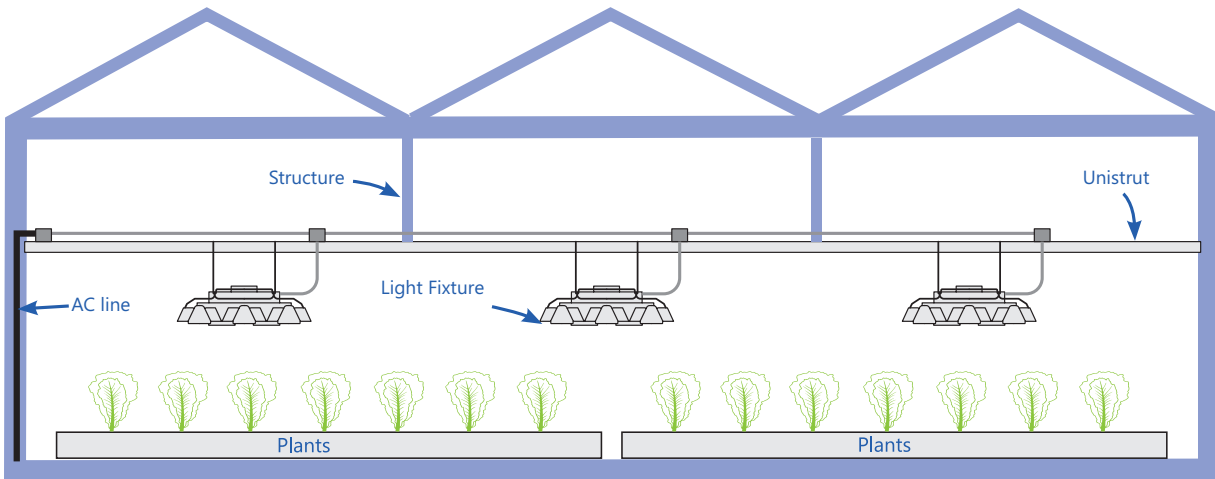
Mounting Accessories Specifications

Description	Detailed Description	Weight
GEMB-CBH1	18" (457mm) cable universal mounting kit	0.1 kg (0.2 lbs)
GEMB-CBH2	60" (1524mm) cable universal mounting kit	0.1 kg (0.2 lbs)

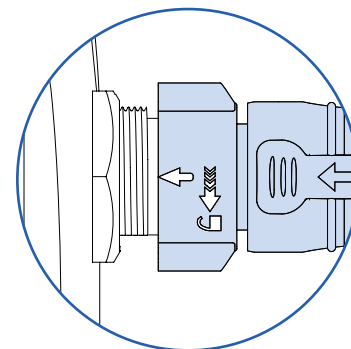
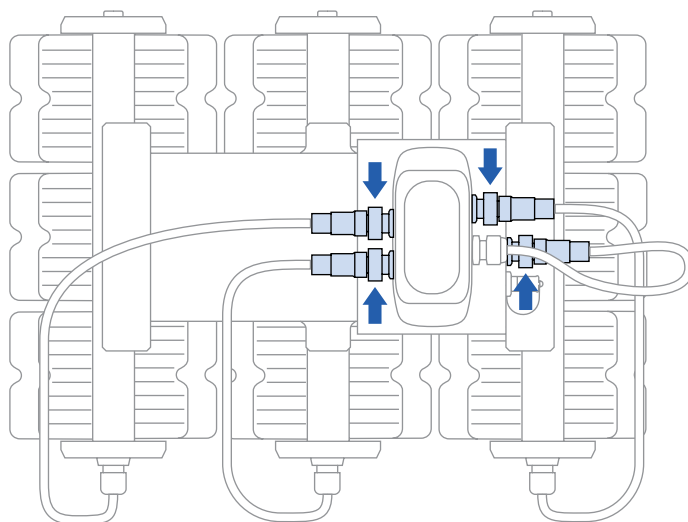
⚠ CAUTION / ATTENTION

- Installation instructions and specifications for accessories can be found in the accessory package.
- Les instructions d'installation et spécifications pour les accessoires se retrouvent dans le kit d'accessoires.

Sample Installation Diagram



BEFORE INSTALLATION:



Verify that all DC connectors are installed and fully engaged. (Arrow on connector locking ring should be facing up.)

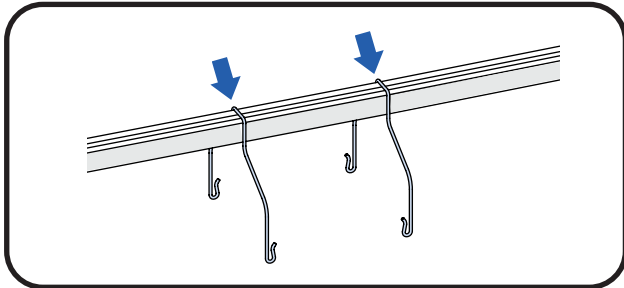
DO NOT MAKE ANY CONNECTIONS WHILE THE LUMINAIRE IS ENERGIZED.

1 Installation of Luminaire

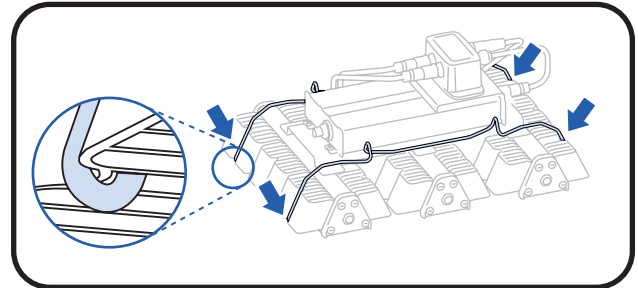
1.1 Wire Hangers



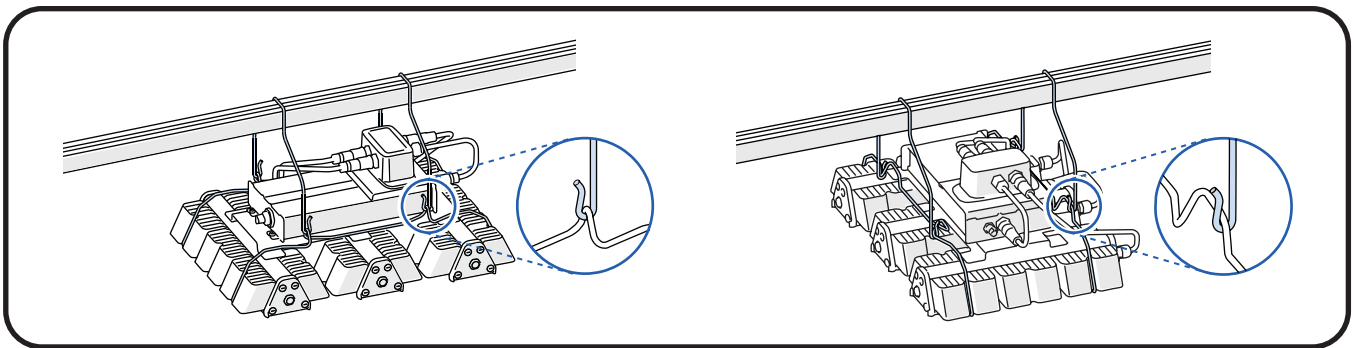
Unistrut 1-5/8" (41mm)
Use standard hanger 1-5/8" (41mm)



① Place wire hangers over Unistrut.



② Attach light module brackets to luminaire.

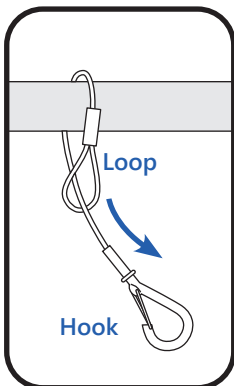


③ Hang luminaire.

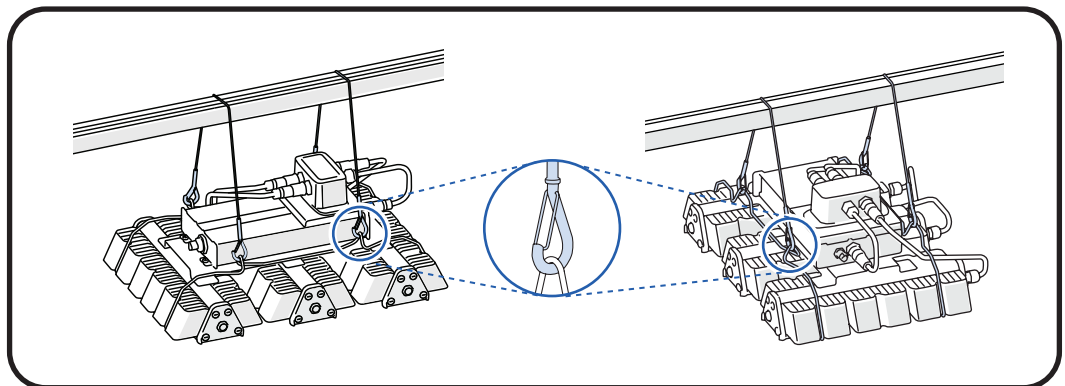
1.2 Universal Cables



Other Structural Members
Use 18" (0.5m) or 60" (1.5m) universal cable



① Wrap loop end of cable over structural member. Insert hook through loop end.



② Attach hooks to light module brackets. Ensure hook gate is closed.

2 Electrical Connections

⚠ WARNING / AVERTISSEMENT

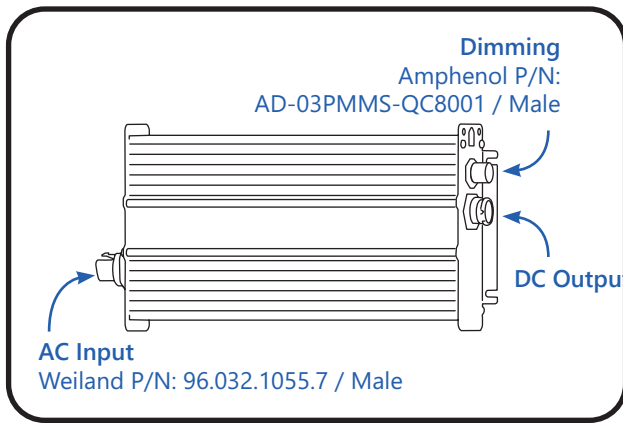
RISK OF ELECTRIC SHOCK

Turn power OFF before inspection, installation or removal.

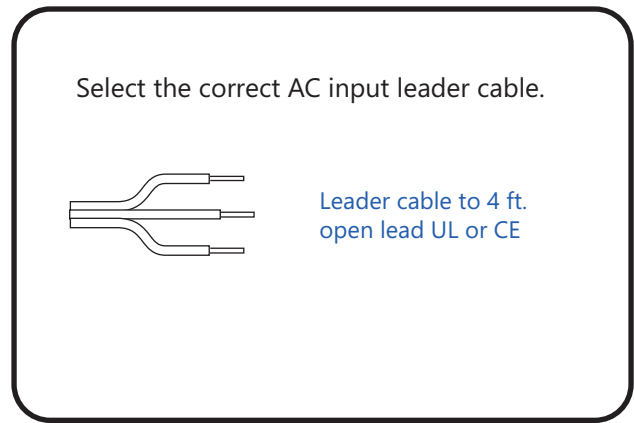
RISQUE DE CHOC ELECTRIQUE

Coupez l'alimentation avant l'inspection, l'installation ou la désinstallation.

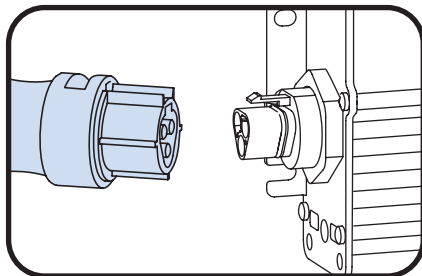
Driver Connections



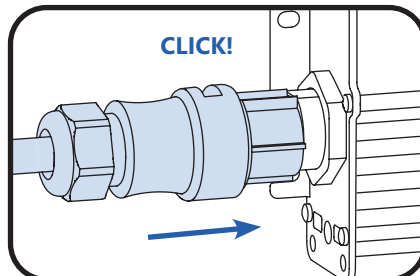
2.1 Connect the AC Input



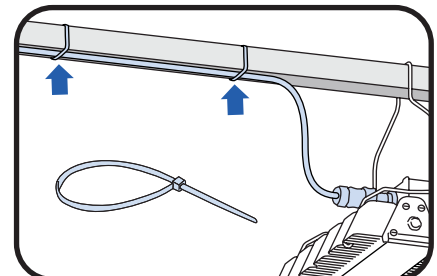
2.2 Connect the Driver Input



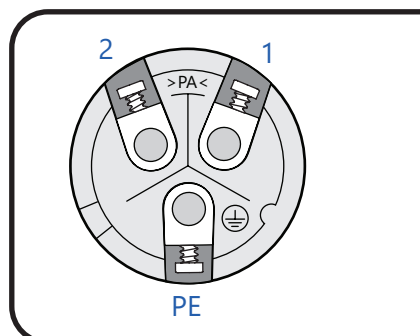
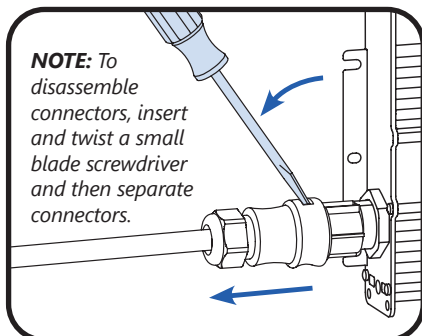
1 Align keying features on driver with connector on the selected leader cable.



2 Push connectors together until a click is heard.



3 Recommended: secure AC input leader cable.

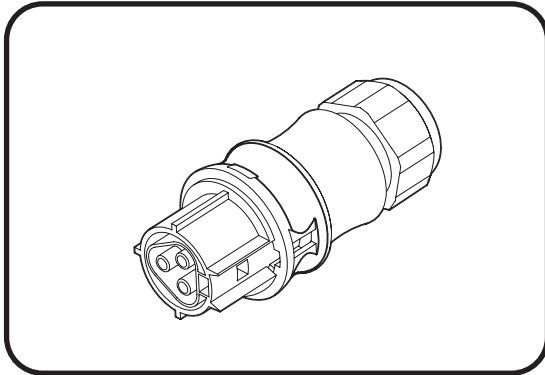


Connector pin-out

Pin	Line-to-Line Voltage			Line-to-Neutral Voltage		
	L2	L1	L1	L1	L2	L3
1	L2	L1	L1	L1	L2	L3
2	L3	L2	L3	N	N	N
PE	PE	PE	PE	PE	PE	PE

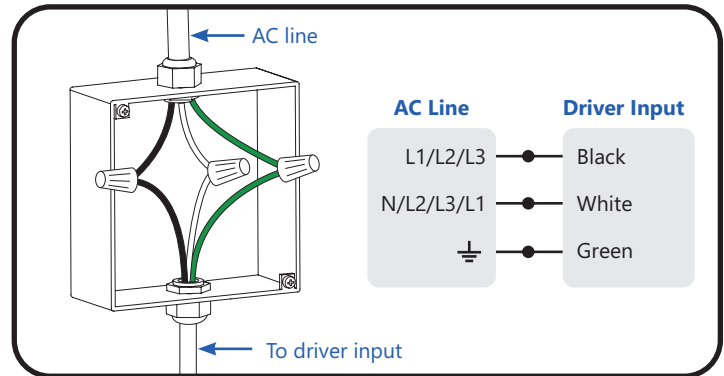
L=Line / N=Neutral / PE=Protective Earth

2.3 Using Custom AC Inputs



If you choose to use your own custom AC input connection, use a Wieland RST20i3 green connector (96.031.4055.7 OR 96.031.4155.7 OR 96.031.0055.7 OR 96.031.1055.7) and plug into the male AC connector of the driver.

2.4 Connecting Driver to AC Line



Connect the black wire to Line 1 and white wires to Neutral or Line 2 of the incoming AC line. Care should be taken to properly balance 3 phase loads. Connect the green wire to the incoming ground conductor.

3 Connecting Wired Dimming (Optional)

⚠ WARNING / AVERTISSEMENT

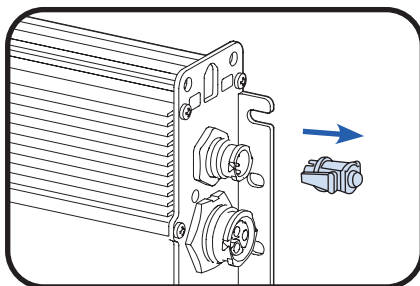
RISK OF ELECTRIC SHOCK

- Turn power off before installation, inspection, cleaning or removal. And follow appropriate lock out/tag out safety procedure.
- This product must be installed in accordance with the applicable installation code by a person familiar with the construction and operation of the product and the hazards involved.

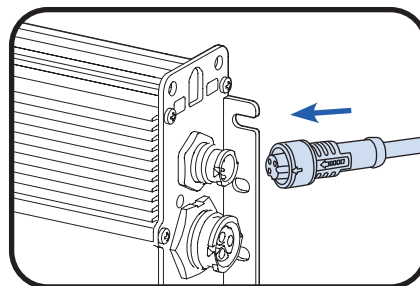
RISQUE DE CHOC ELECTRIQUE

- Coupez l'alimentation avant l'inspection, l'installation ou la désinstallation.
- Ce produit doit être installé selon le code d'installation pertinent, par une personne qui connaît bien le produit et son fonctionnement ainsi que les risques inhérents.

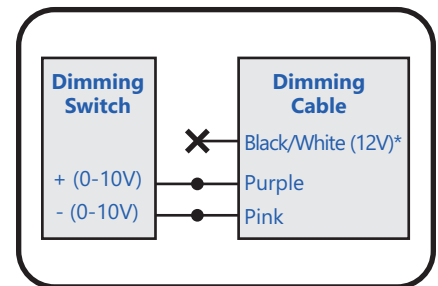
NOTE: Arize L1000 dimming allows user to adjust the light output from 0%/10-100%. When set to 0%, the system will enter standby mode, consuming 0.5-1.5W and LEDs may remain very faintly lit. If 0 light is preferred, switch off the unit via the mains (AC line).



① Remove cap from dimming connector.



② Plug dimming cable: align keying features and push connectors together until lock ring has snapped into place and a click is heard. To remove dimming cable, turn locking ring 1/8 of a turn counter-clockwise and separate connectors.



③ Connect the appropriate wiring to Dim + (0-10V) and Dim - (0-10V) from driver. Insulate the black wire. Follow dimming switch instructions for rest of connection.

*The black/white wire is a 12V auxiliary output that can support up to 250mA of current.

⚠ RISK GROUP 1 - NOTICE / AVERTISSEMENT - RAYONNEMENT LUMINEUX GROUPE 1

UV emitted from this product. Minimize exposure to eyes or skin. Use appropriate shielding.

Ce produit émet de la lumière UV. Minimiser l'exposition aux yeux ou à la peau. Utiliser les protections appropriées.

- These photobiological safety markings are based on testing of the light output characteristic of a single horticultural luminaire. Increased exposure risk to facility personnel may be present depending upon the number of horticultural luminaires and their placement and/or positioning within the plant growth facility.
- It is the responsibility of the plant growth facility to address these risks at the facility level and to ensure that people entering the plant growth areas while the lights are on, are aware of these risks and that appropriate safeguards are in place.
- Ces avertissements de sécurité photobiologiques sont basés sur des tests du rendement lumineux d'un seul luminaire horticole. Les employés risquent de souffrir d'une exposition accrue selon le nombre de luminaires horticoles et leur placement et / ou positionnement au sein de la serre / chambre de culture.
- Il relève de la responsabilité de l'opérateur de l'installation de gérer les risques au niveau de l'installation et de s'assurer que les personnes qui pénètrent dans les zones de croissance des plantes pendant que les lumières sont allumées soient conscientes des risques et que des mesures de protection appropriées soient en place.

Save These Instructions

Use only in the manner intended by the manufacturer. If you have any questions, contact the manufacturer.

This device complies with part 15 of the FCC Rules. Operation is subject to the following two conditions: (1) This device may not cause harmful interference, and (2) this device must accept any interference received, including interference that may cause undesired operation.

NOTE: This equipment has been tested and found to comply with the limits for a Class A digital device, pursuant to part 15 of the FCC Rules. These limits are designed to provide reasonable protection against harmful interference when the equipment is operated in a commercial environment. This equipment generates, uses, and can radiate radio frequency energy and, if not installed and used in accordance with the instruction manual, may cause harmful interference to radio communications. Operation of this equipment in a residential area is likely to cause harmful interference in which case the user will be required to correct the interference at his own expense.

This Class [A] RFLD complies with the Canadian standard ICES-005. /CeDEFR de la classe [A] est conforme à la NMB-005 du Canada.



Electrical products must not be thrown out with domestic waste. They must be taken to a communal collecting point for environmentally friendly disposal in accordance with local regulations. Contact your local authorities or stockist for advice on recycling. The packaging material is recyclable. Dispose of the packaging in an environmentally friendly manner and make it available for the recyclable material collection-service.



For the latest install guides for your product go to:
LED.com/hort



Visit [LED.com](https://www.led.com)
Call us today! **1-833-733-9243**
Email us: arize@currentlighting.com