

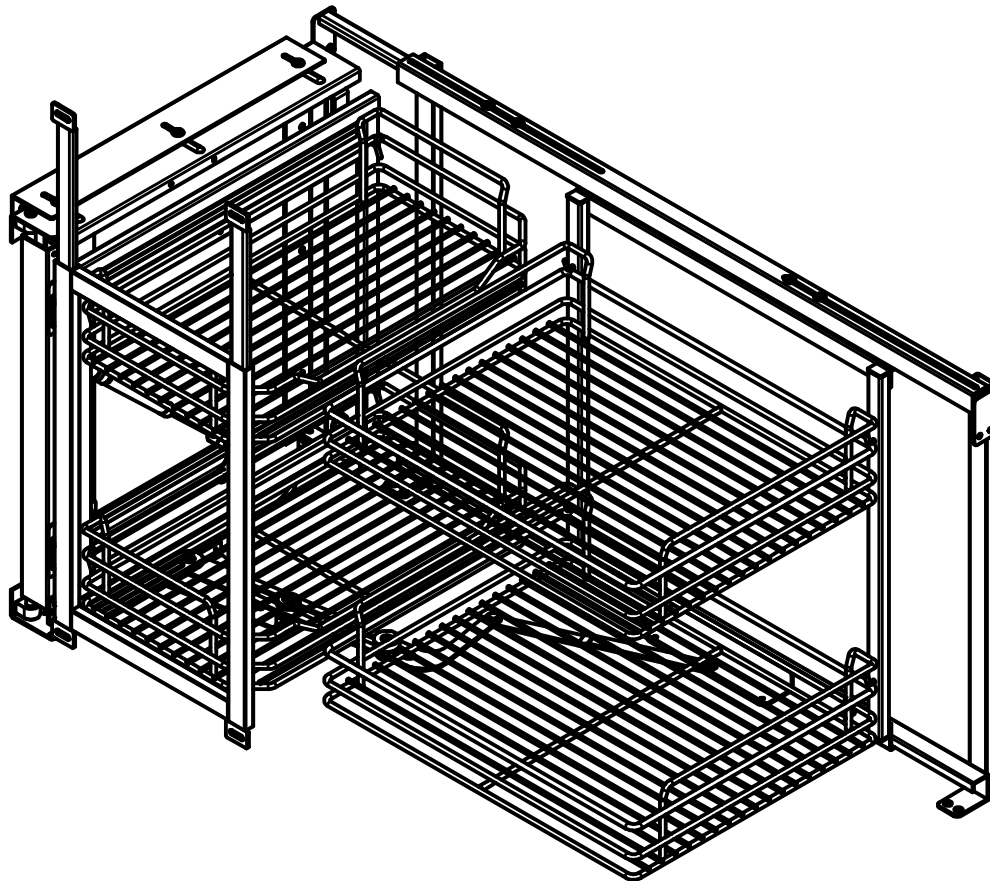
CUSTOMER DRAWING

This drawing is the property of Rev-A-Shelf (RAS) and is disclosed in confidence to the extent its subject matter is original to RAS. Any vendor receiving this drawing from RAS shall hold and use this drawing for the sole benefit of RAS and shall not disclose it to, or use or reproduce it for any third party, or perform any act adverse to the interest of RAS with respect to this drawing without the express written permission of RAS. Vendors shall not revise any physical, dimensional or performance characteristic unless authorized by Rev-A-Shelf Engineering.

REV.	DATE	BY	DESCRIPTION OF CHANGE

AMERICAN PROJECTION 	BY	DATE			
	DRAWN	JOE			13.12.25
TOLERANCES (WOOD) .XX ± .03 [.8mm] (OTHER) .XX ± .02 [.5mm] (ALL) .XXX ± .005 [.13 mm] FRACTIONS ± 1/32 [.8 mm]		ANGLES	MATERIAL	DRAWING NO.	SCALE
MAT. DEC. (WOOD) .XX ± .03 [.8mm] (OTHER) .XX ± .02 [.5mm] (ALL) .XXX ± .005 [.13 mm] FRACTIONS ± 1/32 [.8 mm]		± 1/2	FINISH	PART NO. 5707-15	SHEET OF 1 3

SIZE 15" WIRE BOTTOM TWO-TIER  
B BLIND CORNER OPTIMIZER



PART DIMENSIONS		
	MIN	MAX
WIDTH	39[990.6]	48[1219.2]
DEPTH	20.12[511]	20.12[511]
HEIGHT	21.39[543.4]	28.5[723.9]
WEIGHT		
DIAMETER		
RADIUS		
CONTAINER CAPACITY		
CONTAINER UOM		

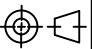
MIN CABINET OPENING	
WIDTH	15[381]
DEPTH	20.25[514]
HEIGHT	20.50[521]

PRODUCT MAX WEIGHT RATING

CUSTOMER DRAWING

This drawing is the property of Rev-A-Shelf (RAS) and is disclosed in confidence to the extent its subject matter is original to RAS. Any vendor receiving this drawing from RAS shall hold and use this drawing for the sole benefit of RAS and shall not disclose it to, or use or reproduce it for any third party, or perform any act adverse to the interest of RAS with respect to this drawing without the express written permission of RAS. Vendors shall not revise any physical, dimensional or performance characteristic unless authorized by Rev-A-Shelf Engineering.

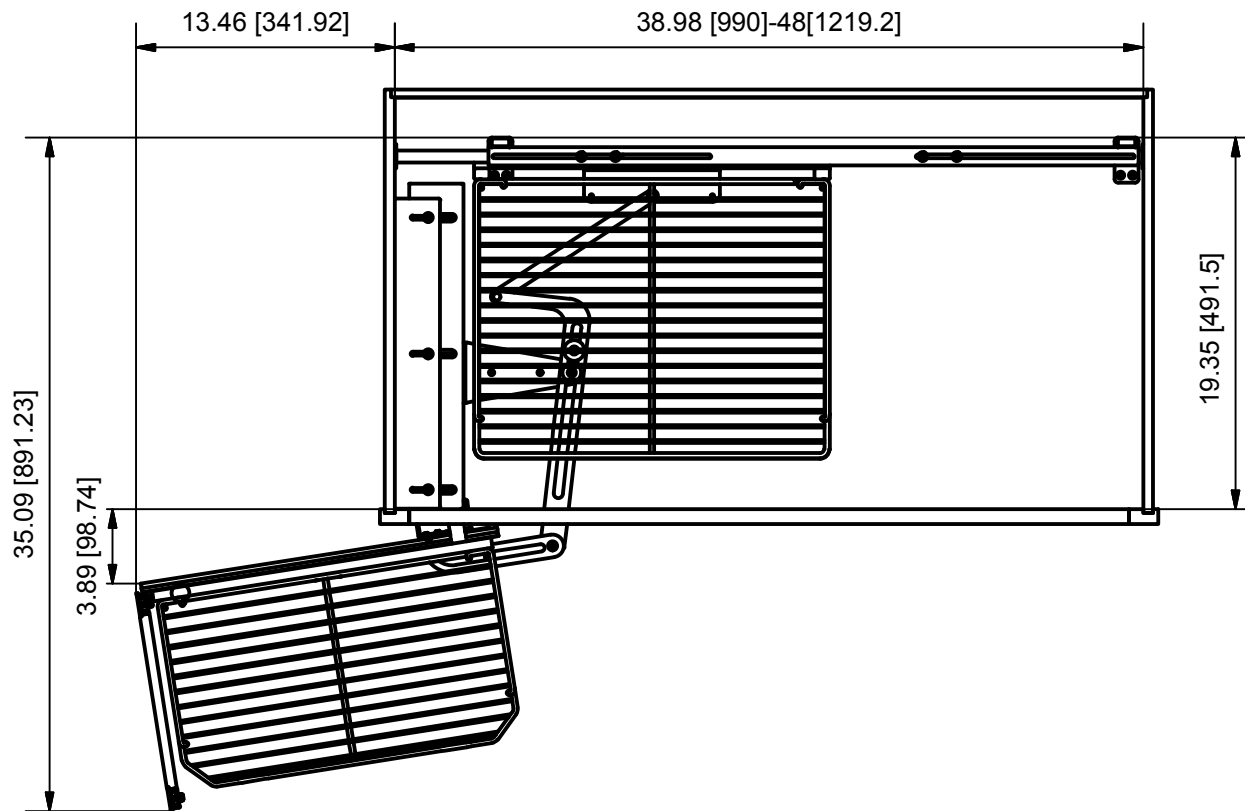
REV.	DATE	BY	DESCRIPTION OF CHANGE

INCH [MM]	AMERICAN PROJECTION 	BY	DATE	<b>REV-A-SHELF, INC.</b>
		DRAWN	JOE 13.12.25	
				SIZE
				B
				DRAWING NO.
				SCALE
				PART NO.
				SHEET OF
				5707-15 2 3

MAT.	TOLERANCES	ANGLES
(WOOD) .XX ± .03 [.8mm]	DEC. ± 1/2	
(OTHER) .XX ± .02 [.5mm]		
(ALL) .XXX ± .005 [.13 mm]		
FRACTIONS ± 1/32 [.8 mm]		

MATERIAL	FINISH

DRAWING NO.	SCALE



This drawing is the property of Rev-A-Shelf (RAS) and is disclosed in confidence to the extent its subject matter is original to RAS. Any vendor receiving this drawing from RAS shall hold and use this drawing for the sole benefit of RAS and shall not disclose it to, or use or reproduce it for any third party, or perform any act adverse to the interest of RAS with respect to this drawing without the express written permission of RAS. Vendors shall not revise any physical, dimensional or performance characteristic unless authorized by Rev-A-Shelf Engineering.

REV.	DATE	BY	DESCRIPTION OF CHANGE

INCH [MM]	AMERICAN PROJECTION	BY	DATE	
		DRAWN	JOE	
TOLERANCES (WOOD) .XX ± .03 [.8mm] (OTHER) .XX ± .02 [.5mm] (ALL) .XXX ± .005 [.13 mm] FRACTIONS ± 1/32 [.8 mm]		MATERIAL	DRAWING NO.	SCALE
ANGLES ± 1/2		FINISH	PART NO.	SHEET OF
			5707-15	3 3

CUSTOMER DRAWING

REV-A-SHELF, INC.

SIZE 15" WIRE BOTTOM TWO-TIER  
B BLIND CORNER OPTIMIZER