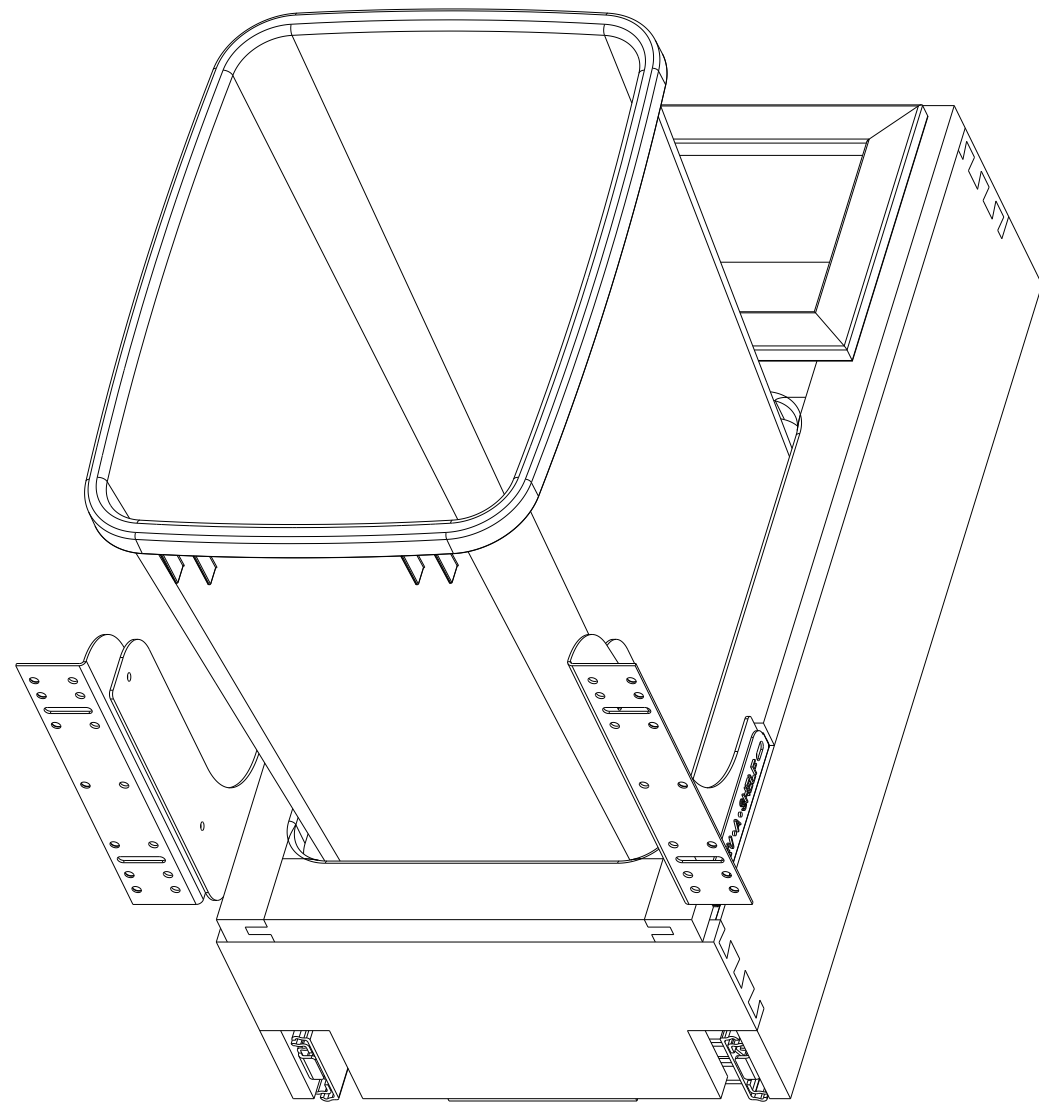


CUSTOMER DRAWING

This drawing is the property of Rev-A-Shelf (RAS) and is disclosed in confidence to the extent its subject matter is original to RAS. Any vendor receiving this drawing from RAS shall hold and use this drawing for the sole benefit of RAS and shall not disclose it to, or use or reproduce it for any third party, or perform any act adverse to the interest of RAS with respect to this drawing without the express written permission of RAS. Vendors shall not revise any physical, dimensional or performance characteristic unless authorized by Rev-A-Shelf Engineering.

REV.	DATE	BY	DESCRIPTION OF CHANGE

INCH [MM]	AMERICAN PROJECTION 	DRAWN	BY	DATE	REV-A-SHELF, INC. WASTE CONTAINER BOTTOM MOUNT SINGLE 35 QT
			KRR	6-26-20	
TOLERANCES		MATERIAL	DRAWING NO.		SCALE
MAT.	DEC.		4WC-15DMI		
(WOOD)	.XX ±.03 [8mm]	FINISH	PART NO.		SHEET OF
(OTHER)	.XX ±.02 [5mm]		4WC-15DMI		
(ALL)	.XXX ±.005 [13 mm]				
FRACTIONS	±1/32 [8 mm]				



PART DIMENSIONS		
	MIN	MAX
WIDTH		11.25
DEPTH		21.65
HEIGHT		19.25
WEIGHT		
DIAMETER		
RADIUS		
CONTAINER CAPACITY	35	
CONTAINER UOM	QUART	

MIN CABINET OPENING				
	FACE FRAME	FRAMELESS	INSET FACE FRAME	INSET FRAMELESS
WIDTH	11.50	11.50	11.50	11.50
DEPTH	21.75	21.75	22.50	22.50
HEIGHT	19.50	19.50	19.50	19.50

SLIDE SPECIFICATIONS				
SLIDE TYPE	BALL BEARING	SLIDE EXTENSION	1 1/2" O.T.	MAX WEIGHT RATING
SLIDE CLOSING	REV-A-MOTION	SLIDE LENGTH	550 MM	
SLIDE MOUNTING		SLIDE FINISH	ZINC	150 LB

CUSTOMER DRAWING

This drawing is the property of Rev-A-Shelf (RAS) and is disclosed in confidence to the extent its subject matter is original to RAS. Any vendor receiving this drawing from RAS shall hold and use this drawing for the sole benefit of RAS and shall not disclose it to, or use or reproduce it for any third party, or perform any act adverse to the interest of RAS with respect to this drawing without the express written permission of RAS. Vendors shall not revise any physical, dimensional or performance characteristic unless authorized by Rev-A-Shelf Engineering.

REV.	DATE	BY	DESCRIPTION OF CHANGE

INCH [MM]	AMERICAN PROJECTION 	DRAWN	BY	DATE	REV-A-SHELF, INC. WASTE CONTAINER BOTTOM MOUNT SINGLE 35 QT
			KRR	6-26-20	
TOLERANCES		ANGLES ±1/2°	MATERIAL	DRAWING NO.	SCALE
MAT.	DEC.		FINISH	4WC-15DMI	1:4
(WOOD)	.XX ±.03 [.8mm]			PART NO.	SHEET
(OTHER)	.XX ±.02 [.5mm]			4WC-15DMI	2 OF 2
(ALL)	.XXX ±.005 [.13 mm]				
FRACTIONS	±1/32 [.8 mm]				