

# IMS3PIR##M

## IMS Enable DALI-2 PIR Occupancy Sensor

### Product Description

The IMS3PIR##M is an adjustable high performance, DALI-2 sensor that mounts to a junction box using the included mounted ring. This sensor provides presence detection and lighting control. The sensor is equipped with movement detection (PIR) and light intensity (daylight) measurement capability giving it the ability to work in daylight harvesting applications.

### Construction

- 3.85" x 1.50" (98mm x 38mm)
- Housing of ABS material
- Adjustable sensor head

### Electrical

- Powered via DALI bus (DALI-voltage according to IEC62386 (2014))
- Current Consumption (Typ) - 5.5 mA
- Power Consumption - < 100 mW
- Connection 2-wire, un-Polarized

### Sensing

- Motion detection through PIR technology
- Detection range: 15M - 49.2ft, 30M - 98.4ft
- Detection angle: 15M  $\pm$ 34.5°, 30M  $\pm$ 43°
- Photozell range 0-2046lux, 1lux resolution

### Environmental

- Operating Temp 15M : -4°F to 131°F (-20°C to 55°C)
- Operating Temp 30M: -4°F to 140°F (-20°C to 60°C)
- Relative Humidity 15-90% non-condensing
- IP40 Rated
- For indoor use only

### Mounting and installation

- Requires 4" x 4" junction box and cover plate (not supplied)
- Provided with spring terminal connector for connection to DALI bus
- Terminals handle 20-16 AWG wire
- Wire strip length 0.33-0.37 in. (8.5-9.5mm)
- Do not install with power applied to device

### Listings

- RoHS Compliant
- DALI Alliance certified
- Complies with EN61547 and EN55015 for EMC
- Complies with EN61347-2-11 and EN61347-1 for Safety

### Warranty

- 3-year limited system warranty
- Warranty does not cover product failure due to an overvoltage event (power surge)

Project

Catalog

Type

Date



## IMS3PIR##M DALI-2 PIR Motion Sensor 15m & 30m Heights



# IMS3PIR##M

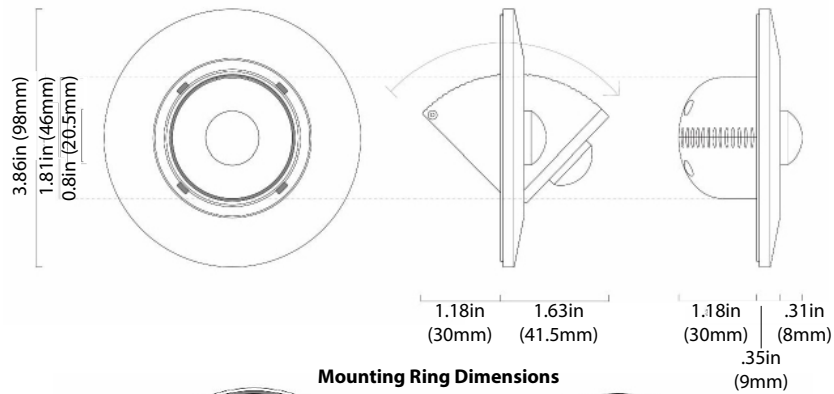
IMS Enable DALI-2 PIR Occupancy Sensor

## Ordering Information

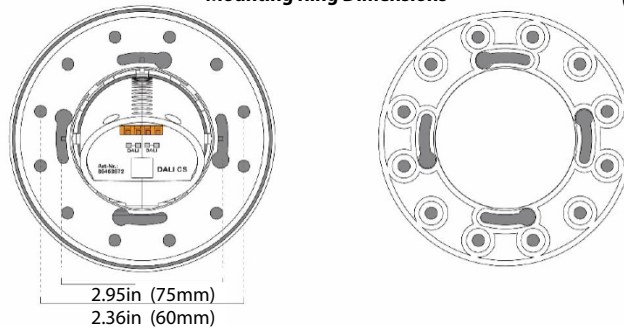
Series	Mounting Height
IMS3PIR	<input type="checkbox"/> 15M
	<input type="checkbox"/> 30M

## Dimensions

### Dimensions and Space Requirements



### Mounting Ring Dimensions

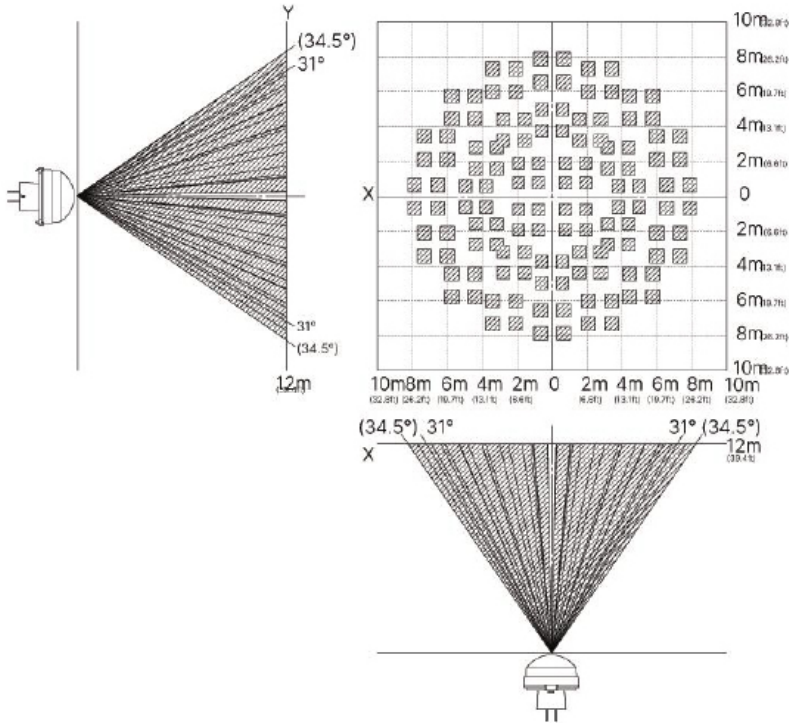


# IMS3PIR##M

IMS Enable DALI-2 PIR Occupancy Sensor

## Detection Patten

### Detection Pattern - 15M

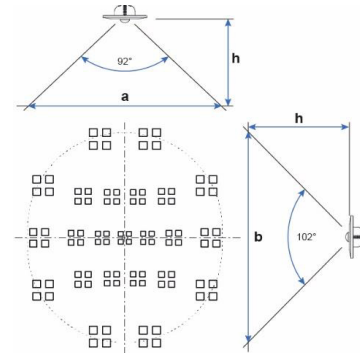


### Presence Detection 15M

The sensor type „-15“ is suitable for high rooms (e.g. halls) with mounting height up to 12m. The detection range is about 15m.

Table 2 CS-hall (15): relation of mounting height and detection area

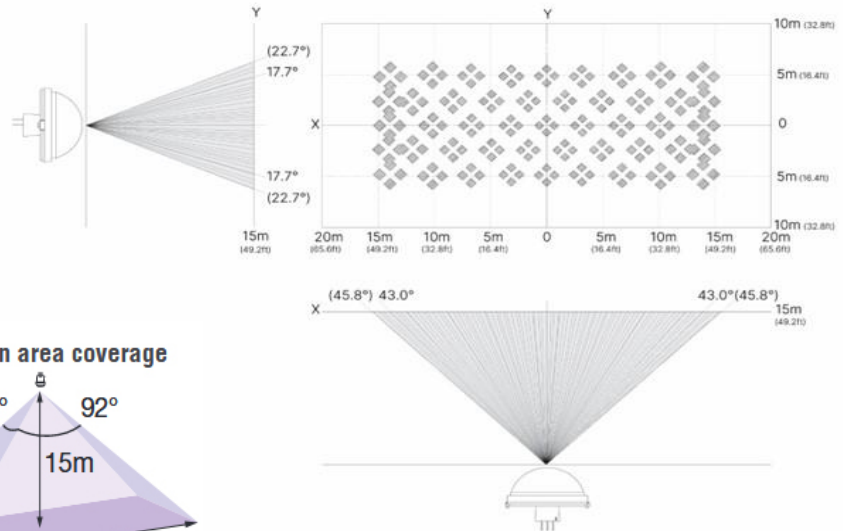
h [m]	a [m]	b [m]	A [m <sup>2</sup> ]
5,0	6,9	6,9	37,1
7,5	10,3	10,3	83,5
10,0	13,7	13,7	148,4
12,0	16,5	16,5	213,7



### Detection Pattern - 30M

#### Presence Detection 30M

The type - 30 has an ultra wide and long distance detection type and is suitable for application in high bay aisles. The maximum mounting height is about 15m. For this installation height of 15m it gains a field of view of approx. 30m x 12m, with 188 detection zones which minimize blind spots.



#### Detection area coverage

