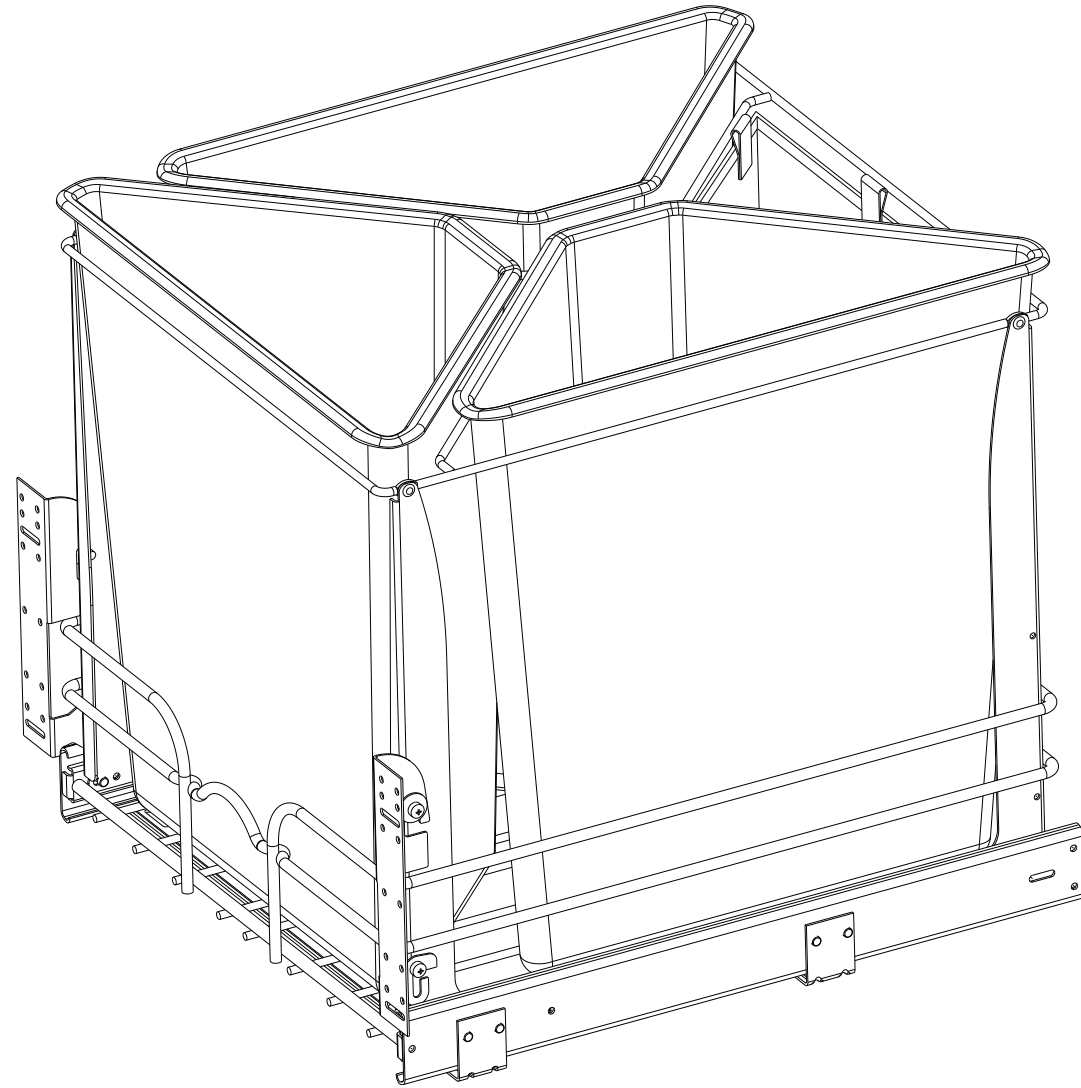


CUSTOMER DRAWING

This drawing is the property of Rev-A-Shelf (RAS) and is disclosed in confidence to the extent its subject matter is original to RAS. Any vendor receiving this drawing from RAS shall hold and use this drawing for the sole benefit of RAS and shall not disclose it to, or use or reproduce it for any third party, or perform any act adverse to the interest of RAS with respect to this drawing without the express written permission of RAS. Vendors shall not revise any physical, dimensional or performance characteristic unless authorized by Rev-A-Shelf Engineering.

REV.	DATE	BY	DESCRIPTION OF CHANGE

INCH [MM]	AMERICAN PROJECTION 	BY	DATE	REV-A-SHELF, INC.	
		DRAWN	LCS 6/09/22	SIZE B	TRIPLE 250T RECYCLE CENTER
TOLERANCES		MATERIAL	DRAWING NO.	SCALE	
MAT.	DEC.		5BBSC-WMDM24-X	0.150	
(WOOD)	.XX ±.03 [.8mm]	FINISH	PART NO.	SHEET OF	
(OTHER)	.XX ±.02 [.5mm]		5BBSC-WMDM24-X	1 2	
(ALL)	.XXX ±.005 [.13 mm]				
FRACTIONS	±1/32 [.8 mm]				



PART DIMENSIONS	
WIDTH	19.90 [505,4]
DEPTH	22.11 [561,6]
HEIGHT	20.12 [511,1]
CONTAINER CAPACITY	25 QT X 3
CANVAS BAG CAPACITY	18 QT

MIN CABINET OPENING				
	FACE FRAME	FRAMELESS	INSET FACE FRAME	INSET FRAMELESS
WIDTH	19.90 [505,4]	19.90 [505,4]	19.90 [505,4]	19.90 [505,4]
DEPTH	22.11 [561,6]	22.11 [561,6]	22.86 [580,7]	22.86 [580,7]
HEIGHT	20.37 [517,4]	20.37 [517,4]	20.37 [517,4]	20.37 [517,4]

SLIDE SPECIFICATIONS				
SLIDE PART NUMBER	FX81550	RELEASE PART NUMBER	N/A	MAX WEIGHT RATING 150LB
SLIDE TYPE	BALL BEARING	SLIDE EXTENSION	FULL EXTENSION	
SLIDE CLOSING	SOFT	SLIDE LENGTH	550 MM	
SLIDE MOUNTING	BOTTOM	SLIDE FINISH	ZINC	

CUSTOMER DRAWING

This drawing is the property of Rev-A-Shelf (RAS) and is disclosed in confidence to the extent its subject matter is original to RAS. Any vendor receiving this drawing from RAS shall hold and use this drawing for the sole benefit of RAS and shall not disclose it to, or use or reproduce it for any third party, or perform any act adverse to the interest of RAS with respect to this drawing without the express written permission of RAS. Vendors shall not revise any physical, dimensional or performance characteristic unless authorized by Rev-A-Shelf Engineering.

REV.	DATE	BY	DESCRIPTION OF CHANGE

INCH [MM]	AMERICAN PROJECTION	DRAWN	BY	DATE	REV-A-SHELF, INC.
			LCS	6/09/22	
TOLERANCES		MATERIAL	DRAWING NO.		SCALE
MAT.	DEC.		FINISH	5BBSC-WMDM24-X	
(WOOD)	.XX ±.03 [.8mm]	FRACTIONS ±1/32 [.8 mm]		PART NO.	
(OTHER)	.XX ±.02 [.5mm]		5BBSC-WMDM24-X		2
(ALL)	.XXX ±.005 [.13 mm]	ANGLES ±1/2°			