

# EVOLVE

## Olympia EPOL Series

LED Post Top Lighting



Project Name \_\_\_\_\_

Date \_\_\_\_\_ Type \_\_\_\_\_

Notes \_\_\_\_\_

### GLI Brands Utility Roadway Representatives Exclusively

- Reliable, uniform, illumination
- Types I, II, III, IV, V distributions
- 3000K, 4000K, 5000K CCT
- 0-10V dimming ready
- Integral surge protection: 10k in parallel, 20k in series

### CONSTRUCTION

<b>Housing:</b>	Aluminum 360 alloy
<b>Lens:</b>	LED engine, TIR optics, gasket and bezel plate
<b>Paint:</b>	Die Cast Aluminum, Black, Dark Bronze, RAL & Customer colors available
<b>Weight:</b>	18-27lbs (8.2-12.2kg)

### OPTICAL SYSTEM

<b>Lumens:</b>	1,800 – 9,300
<b>Distribution:</b>	Type I, Type II, Type III, Type IV Wide, Type V Square & Type V Wide
<b>Efficacy:</b>	55-139 LPW
<b>CCT:</b>	Amber, 3000K, 4000K & 5000K
<b>CRI (Min):</b>	70

### ELECTRICAL

<b>Input Voltage:</b>	120-277V
<b>Input Frequency:</b>	50/60Hz
<b>Power Factor:</b>	>0.95
<b>Total Harmonic Distortion:</b>	<10%

### SURGE PROTECTION\*

Standard	Optional
10kV/5kA	20kV/10kA

\*Per ANSI C136.2-2015

### WARRANTY

5 Year (Standard)

10 Year (Optional)

### LUMEN MAINTENANCE

Projected Lxx per IES TM-21 at 25°C

SKU	LXX(10K) @ Hours		
	25,000 HR	50,000 HR	60,000 HR
EPOL	L98	L95	L93

Note: Projected LXX based on LM80 (> 10,000 hour testing). Accepted Industry tolerances apply to initial luminous flux and lumen maintenance measurements.

### AMBIENT TEMPERATURE FACTOR

Ambient Temp (°C)	Initial Flux Factor	Ambient Temp (°C)	Initial Flux Factor
10	1.02	30	0.99
20	1.01	40	0.98
25	1.00		

### RATINGS

<b>Operating Temperature:</b>	-40°C to 40°C
<b>Vibration:</b>	3G per ANSI C136.31-2010
<b>LM-79:</b>	Available upon request
<b>EPA:</b>	.53 to .90

### CONTROLS

<b>Dimming:</b>	Standard - 0-10V
<b>Sensors:</b>	Pole Mounted: Occupancy Sensor, On/Off control w/Photocell (optional), Occupancy Sensor, Programmable Control w/Photocell (optional), 3-pin ANSI C136.10 On/Off Receptacle (optional)



Project Name \_\_\_\_\_

Date \_\_\_\_\_ Type \_\_\_\_\_

Notes \_\_\_\_\_

## EPOL 01

PROD. ID	GEN	VOLTAGE	LUMEN OUTPUT	DISTRIBUTION	CCT	LENS	HOOD STYLE	CONTROLS PER ANSI C136.41	MOUNTING	COLOR	OPTIONS
<b>E = Evolve</b>	01 = 1st Gen	0 = 120-277V	260 = 32W, 1800 - 4300	A = Type I	AM = Amber 595nm Peak	NL = No Lens	ANG = Angled Hood	1 = None	SA4 = Single Arm 4' Pole	BLCK = Black	R = Secondary 10kV/5kA SPD
<b>P = Post Top</b>		D = 347V	325 = 40W, 2000 - 5300	B = Type II	30 = 3000K	CL = Clear Lens	BEL = Bell Hood	A = 7-Pin Receptacle	TA4 = Twin Arm 4' Pole	DKBZ = Dark Bronze	T = Secondary 20kV/10kA SPD
<b>OL = Olympia</b>		5 = 480V	420 = 50W, 2800 - 6700	C = Type III*	40 = 4000K	DL = Diffused Lens	FLR = Flared Hood	D = 7-Pin Receptacle with Shorting Cap	SA5 = Single Arm 5' Pole		Y = Coastal
			460 = 55W, 3000 - 7200	E = Type IV, Wide	50 = 5000K		SKB = Shirted Bell Hood	E = 7 Pin Receptacle with Long Life non-Dimming PE Control	TA5 = Twin Arm 5' Pole		XXX = Special Options
			615 = 72W, 3900 - 9300	F = Type V, Square			STR = Straight Hood				
				G = Type V, Wide*							

\*Diffused lens only offered in C and G (DISTRIBUTION)

### PERFORMANCE DATA

LUMEN OUTPUT	REFRACTOR		TYPICAL INITIAL LUMENS			WATTAGE	BUG RATINGS		
	DIST CODE	CODE	3000K	4000K	5000K	120-277V	3000K	4000K	5000K
260	A	NL	4100	4176	4354	B1-U0-G1	B1-U0-G1	B1-U0-G1	B1-U0-G1
260	B		3788	3859	4023	B1-U0-G1	B1-U0-G1	B1-U0-G1	B1-U0-G1
260	C		3708	3777	3938	B1-U0-G1	B1-U0-G1	B1-U0-G1	B1-U0-G1
260	E		3749	3819	3985	B1-U0-G2	B1-U0-G2	B1-U0-G2	B1-U0-G2
260	F		3936	4009	4180	B2-U0-G1	B2-U0-G1	B2-U0-G1	B2-U0-G1
260	G		3822	3893	4059	B3-U0-G1	B3-U0-G1	B3-U0-G1	B3-U0-G1
260	A		CL	3769	3839	4002	B0-U0-G1	B0-U0-G1	B1-U0-G1
260	B	3482		3547	3698	B1-U0-G1	B1-U0-G1	B1-U0-G1	B1-U0-G1
260	C	3409		3472	3620	B1-U0-G1	B1-U0-G1	B1-U0-G1	B1-U0-G1
260	E	3447		3511	3660	B1-U0-G2	B1-U0-G2	B1-U0-G2	B1-U0-G2
260	F	3618		3685	3842	B2-U0-G1	B2-U0-G1	B2-U0-G1	B2-U0-G1
260	G	3513		3579	3731	B3-U0-G1	B2-U0-G1	B2-U0-G1	B2-U0-G1
260	C	DL		2943	2998	3126	B1-U0-G1	B1-U0-G1	B1-U0-G1
260	G		3020	3076	3207	B1-U0-G1	B1-U0-G1	B1-U0-G1	B1-U0-G1
325	A	NL	4999	5092	5309	B1-U0-G1	B1-U0-G1	B1-U0-G1	B1-U0-G1
325	B		4619	4705	4906	B1-U0-G1	B1-U0-G1	B1-U0-G1	B1-U0-G1
325	C		4522	4606	4802	B1-U0-G2	B1-U0-G2	B1-U0-G2	B1-U0-G2
325	E		4572	4657	4856	B1-U0-G2	B1-U0-G2	B1-U0-G2	B1-U0-G2
325	F		4799	4889	5097	B2-U0-G1	B2-U0-G1	B2-U0-G1	B2-U0-G1
325	G		4660	4747	4950	B3-U0-G1	B3-U0-G1	B3-U0-G1	B3-U0-G1
325	A		CL	4595	4681	4881	B1-U0-G1	B1-U0-G1	B1-U0-G1
325	B	4246		4325	4510	B1-U0-G1	B1-U0-G1	B1-U0-G1	B1-U0-G1
325	C	4156		4234	4414	B1-U0-G1	B1-U0-G1	B1-U0-G1	B1-U0-G1
325	E	4206		4284	4464	B1-U0-G2	B1-U0-G2	B1-U0-G2	B1-U0-G2
325	F	4412		4494	4685	B2-U0-G1	B2-U0-G1	B2-U0-G1	B2-U0-G1
325	G	4284		4364	4550	B3-U0-G1	B3-U0-G1	B3-U0-G1	B3-U0-G1
325	C	DL		3581	3647	3809	B1-U0-G1	B1-U0-G1	B1-U0-G1
325	G		3691	3760	3920	B1-U0-G1	B1-U0-G1	B2-U0-G1	B2-U0-G1
420	A	NL	6298	6416	6689	B1-U0-G1	B1-U0-G1	B1-U0-G1	B1-U0-G1
420	B		5820	5928	6161	B1-U0-G1	B1-U0-G1	B1-U0-G1	B1-U0-G1
420	C		5697	5803	6050	B1-U0-G2	B1-U0-G2	B1-U0-G2	B1-U0-G2
420	E		5760	5867	6118	B1-U0-G3	B1-U0-G3	B1-U0-G3	B1-U0-G3
420	F		6047	6159	6422	B2-U0-G1	B2-U0-G1	B3-U0-G1	B3-U0-G1
420	G		5872	5981	6236	B3-U0-G1	B3-U0-G1	B3-U0-G1	B3-U0-G1
420	A		CL	5790	5898	6149	B1-U0-G1	B1-U0-G1	B1-U0-G1
420	B	5350		5449	5681	B1-U0-G1	B1-U0-G1	B1-U0-G1	B1-U0-G1
420	C	5237		5334	5561	B1-U0-G2	B1-U0-G2	B1-U0-G2	B1-U0-G2
420	E	5295		5394	5624	B1-U0-G3	B1-U0-G3	B1-U0-G3	B1-U0-G3
420	F	5558		5662	5909	B2-U0-G1	B2-U0-G1	B2-U0-G1	B2-U0-G1
420	G	5398		5498	5732	B3-U0-G1	B3-U0-G1	B3-U0-G1	B3-U0-G1
420	C	DL		4511	4595	4791	B1-U0-G1	B1-U0-G1	B1-U0-G1
420	G		4562	4647	4845	B2-U0-G1	B2-U0-G1	B2-U0-G1	B2-U0-G1

### PERFORMANCE DATA - CONTINUED

LUMEN OUTPUT	REFRACTOR		TYPICAL INITIAL LUMENS			WATTAGE	BUG RATINGS		
	DIST CODE	CODE	3000K	4000K	5000K	120-277V	3000K	4000K	5000K
460	A	NL	6811	6937	7233	B1-U0-G1	B1-U0-G1	B1-U0-G1	B1-U0-G1
460	B		6293	6410	6683	B1-U0-G2	B1-U0-G2	B1-U0-G2	B1-U0-G2
460	C		6160	6275	6542	B1-U0-G2	B1-U0-G2	B1-U0-G2	B1-U0-G2
460	E		6229	6345	6615	B1-U0-G3	B1-U0-G3	B1-U0-G3	B1-U0-G3
460	F		6538	6660	6944	B3-U0-G1	B3-U0-G1	B3-U0-G1	B3-U0-G1
460	G		6349	6467	6743	B3-U0-G1	B3-U0-G1	B3-U0-G1	B3-U0-G1
460	A		CL	6261	6377	6649	B1-U0-G1	B1-U0-G1	B1-U0-G1
460	B	5785		5892	6144	B1-U0-G1	B1-U0-G1	B1-U0-G1	B1-U0-G1
460	C	5661		5768	6014	B1-U0-G2	B1-U0-G2	B1-U0-G2	B1-U0-G2
460	E	5726		5832	6081	B1-U0-G3	B1-U0-G3	B1-U0-G3	B1-U0-G3
460	F	6010		6122	6383	B2-U0-G1	B2-U0-G1	B3-U0-G1	B3-U0-G1
460	G	5836		5945	6199	B3-U0-G1	B3-U0-G1	B3-U0-G1	B3-U0-G1
460	C	DL		4878	4969	5181	B1-U0-G1	B1-U0-G1	B1-U0-G1
460	G		5028	5122	5340	B2-U0-G1	B2-U0-G1	B2-U0-G1	B2-U0-G1
615	A	NL	8791	8954	9336	B1-U0-G1	B1-U0-G1	B1-U0-G1	B1-U0-G1
615	B		8122	8274	8626	B1-U0-G2	B1-U0-G2	B1-U0-G2	B1-U0-G2
615	C		7951	8099	8444	B1-U0-G2	B1-U0-G2	B1-U0-G2	B1-U0-G2
615	E		8040	8189	8538	B1-U0-G3	B1-U0-G3	B1-U0-G3	B1-U0-G3
615	F		8439	8596	8963	B3-U0-G1	B3-U0-G1	B3-U0-G1	B3-U0-G1
615	G		8195	8348	8703	B3-U0-G2	B3-U0-G2	B3-U0-G2	B3-U0-G2
615	A		CL	8081	8231	8582	B1-U0-G1	B1-U0-G1	B1-U0-G1
615	B	7467		7605	7930	B1-U0-G2	B1-U0-G2	B1-U0-G2	B1-U0-G2
615	C	7309		7445	7762	B1-U0-G2	B1-U0-G2	B1-U0-G2	B1-U0-G2
615	E	7390		7528	7849	B1-U0-G3	B1-U0-G3	B1-U0-G3	B1-U0-G3
615	F	7758		7902	8239	B3-U0-G1	B3-U0-G1	B3-U0-G1	B3-U0-G1
615	G	7533		7674	8001	B3-U0-G2	B3-U0-G2	B3-U0-G2	B3-U0-G2
615	C	DL		6297	6414	6687	B2-U0-G1	B2-U0-G2	B2-U0-G2
615	G		6490	6611	6893	B2-U0-G1	B2-U0-G1	B2-U0-G1	B2-U0-G1

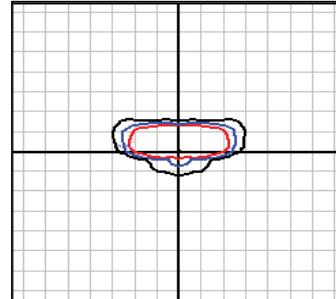
For additional information on EPOL IES files, please click the following link:

[EPOL IES Files](#)

**EPOL-01-0-615-A-40**

**LUMINAIRE DATA**

Description	<b>4000 Kelvin, 70CRI</b>
Delivered Lumens	<b>8955</b>
Watts	<b>71.59</b>
Efficacy	<b>125</b>
IES Type	<b>I</b>
BUG Rating	<b>B1-U0-G1</b>
Mounting Height	<b>15 ft</b>
Grid Scale	<b>15 ft</b>



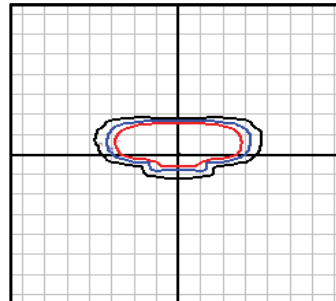
**15' Mounting Height**

- 1.0 FC
- 0.5 FC
- 0.2 FC

**EPOL-01-0-615-B-40**

**LUMINAIRE DATA**

Description	<b>4000 Kelvin, 70CRI</b>
Delivered Lumens	<b>8274</b>
Watts	<b>71.59</b>
Efficacy	<b>116</b>
IES Type	<b>II</b>
BUG Rating	<b>B1-U0-G2</b>
Mounting Height	<b>15 ft</b>
Grid Scale	<b>15 ft</b>



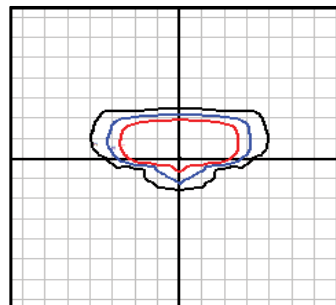
**15' Mounting Height**

- 1.0 FC
- 0.5 FC
- 0.2 FC

**EPOL-01-0-615-C-40**

**LUMINAIRE DATA**

Description	<b>4000 Kelvin, 70CRI</b>
Delivered Lumens	<b>8100</b>
Watts	<b>71.59</b>
Efficacy	<b>113</b>
IES Type	<b>III</b>
BUG Rating	<b>B1-U0-G2</b>
Mounting Height	<b>15 ft</b>
Grid Scale	<b>15 ft</b>



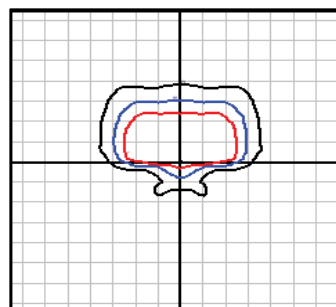
**15' Mounting Height**

- 1.0 FC
- 0.5 FC
- 0.2 FC

**EPOL-01-0-615-E-40**

**LUMINAIRE DATA**

Description	<b>4000 Kelvin, 70CRI</b>
Delivered Lumens	<b>8189</b>
Watts	<b>71.6</b>
Efficacy	<b>114</b>
IES Type	<b>IV-Wide</b>
BUG Rating	<b>B1-U0-G3</b>
Mounting Height	<b>15 ft</b>
Grid Scale	<b>15 ft</b>



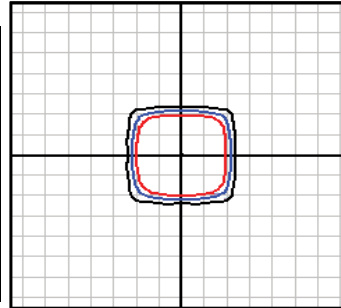
**15' Mounting Height**

- 1.0 FC
- 0.5 FC
- 0.2 FC

**EPOL-01-0-615-F-40**

**LUMINAIRE DATA**

Description	<b>4000 Kelvin, 70CRI</b>
Delivered Lumens	<b>8597</b>
Watts	<b>71.6</b>
Efficacy	<b>120</b>
IES Type	<b>VS-Square</b>
BUG Rating	<b>B3-U0-G1</b>
Mounting Height	<b>15 ft</b>
Grid Scale	<b>15 ft</b>



**15' Mounting Height**

1.0 FC

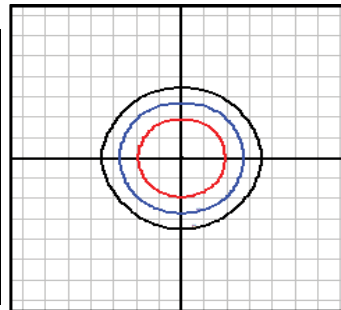
0.5 FC

0.2 FC

**EPOL-01-0-615-G-40**

**LUMINAIRE DATA**

Description	<b>4000 Kelvin, 70CRI</b>
Delivered Lumens	<b>8349</b>
Watts	<b>71.6</b>
Efficacy	<b>117</b>
IES Type	<b>VS-Wide</b>
BUG Rating	<b>B3-U0-G2</b>
Mounting Height	<b>15 ft</b>
Grid Scale	<b>15 ft</b>



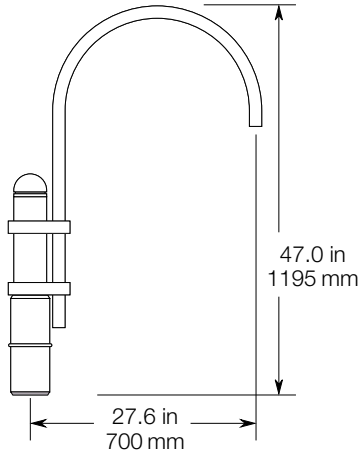
**15' Mounting Height**

1.0 FC

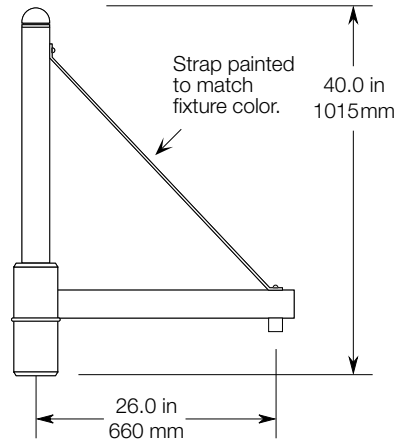
0.5 FC

0.2 FC

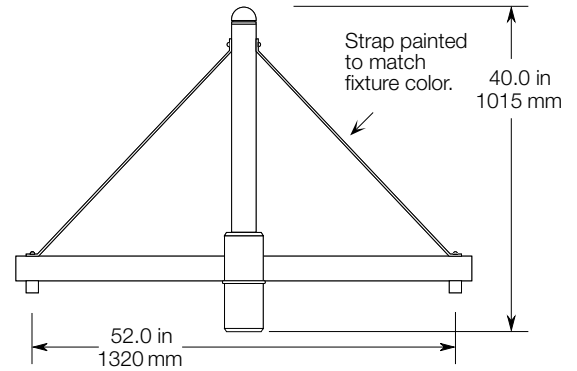
**MOUNTING OPTIONS**



**SINGLE: SA4  
TWIN: TA4**



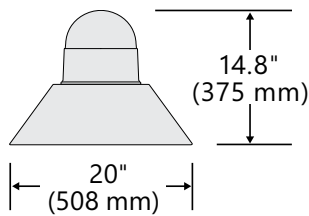
**SINGLE: SA5**



**TWIN POLE: TA5**

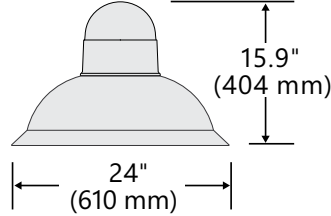
**HOOD CONFIGURATIONS**

**ANGLED**



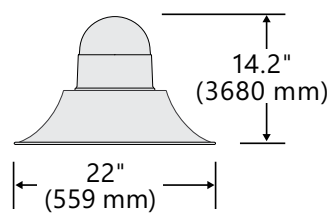
UCM-ANG  
18.25 lbs/8.28 kg  
EPA: .60

**BELL**



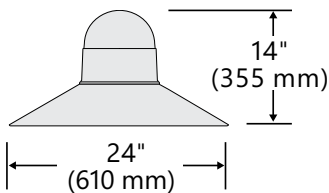
UCM-BEL  
20.25 lbs/9.2 kg  
EPA: .73

**FLARE**



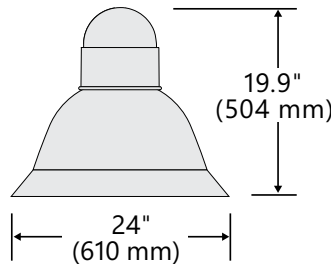
UCM-FLR  
18.5 lbs/8.4 kg  
EPA: .53

**STRAIGHT**



UCM-STR  
20 lbs/9.07 kg  
EPA: .59

**SKIRTED BELL**



UCM-SKB  
20.5 lbs/9.3 kg  
EPA: .90