

Thank you for choosing this quality product. Be sure to check all packaging materials carefully for small parts that may have loosened inside the carton during shipment and place on a non-abrasive surface.

IMPORTANT

These parts can be cumbersome and heavy to some people, therefore, the assistance of two or more people are recommended in order to prevent personal injury and insure the table parts are not damaged during the assembly Process.




PART LIST

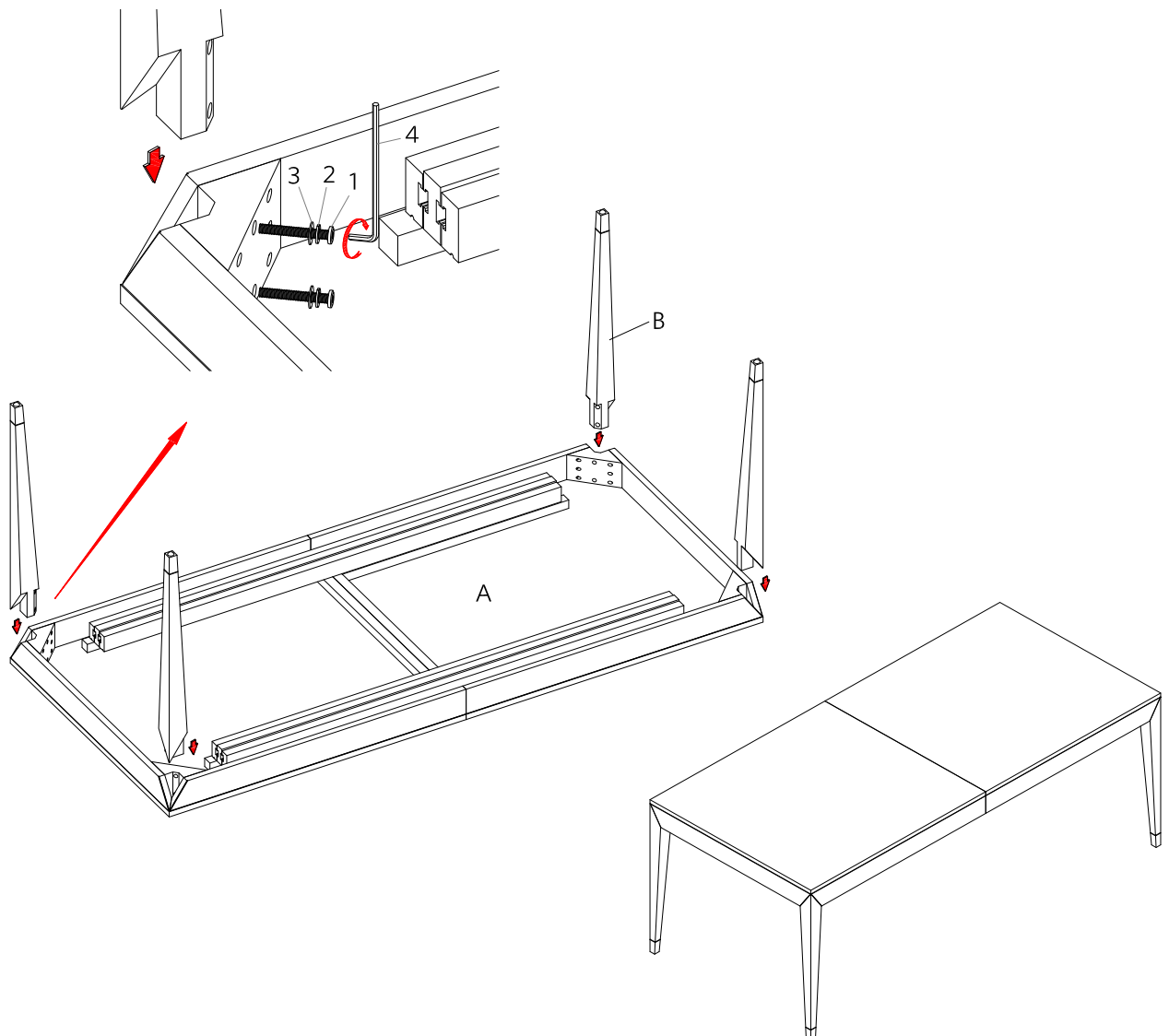
- A. [1] TOP
- B. [4] LEGS
- C. [2] LEAVES

INSTRUCTIONS:

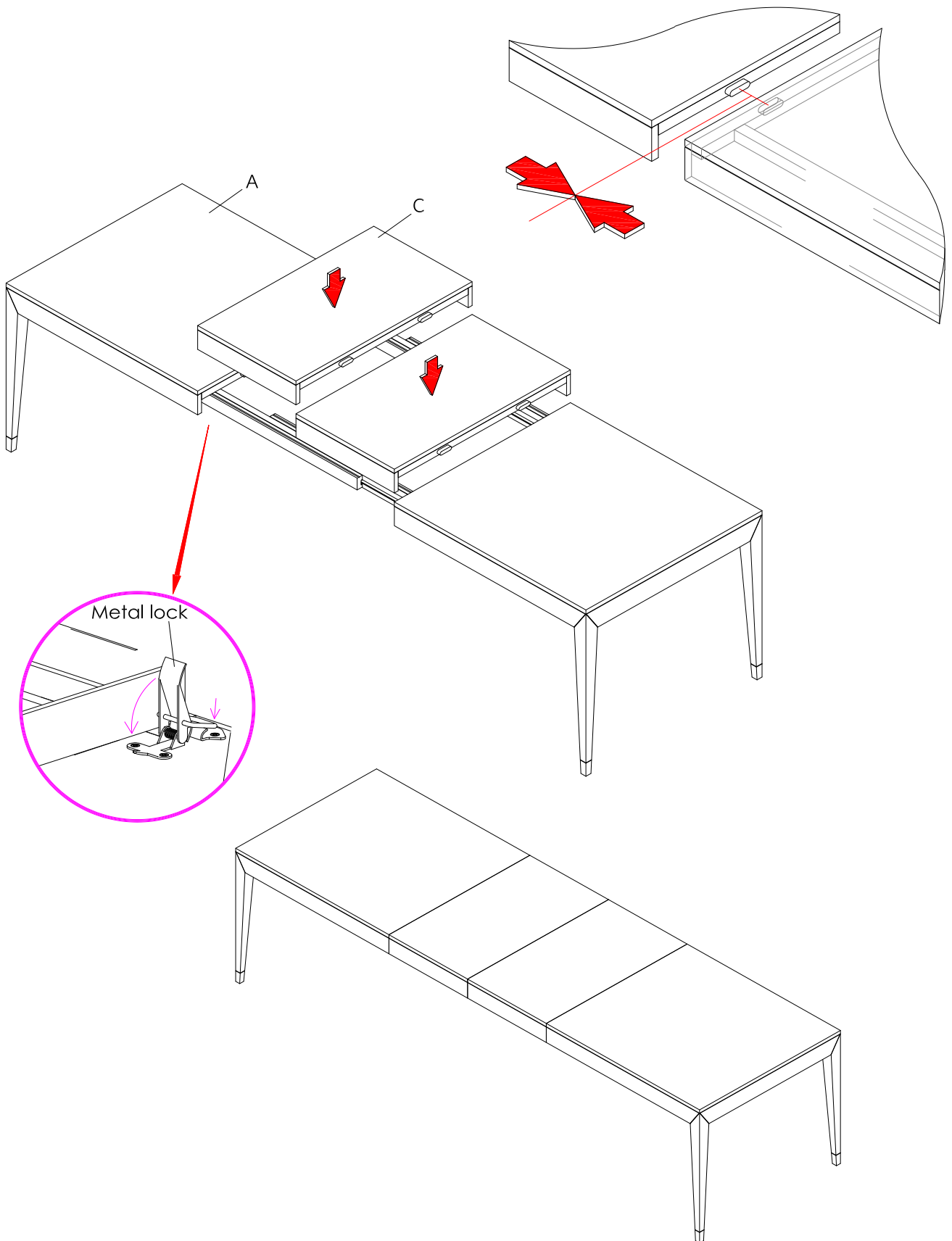
1. Turn the top (A) upside down and put it on a flat surface.
2. Insert the legs (B) to the top (A) then secure them by using Allen bolts (1), lock washers (2) and flat washers (3).
3. Turn the table into upright position.

HARDWARE LIST

NO	DESCRIPTION	QTY
1	 ALLEN BOLT	8
2	 LOCK WASHER	8
3	 FLAT WASHER	8
4	 ALLEN WRENCH	1



4. Pull out the table top and set the leaves (C) on the table. Close the table top.
5. Assembly is complete.



Thank you for your purchase