

ECL1-Select

LED Emergency Exit Sign Combo

Product Description

The ECL1-Select LED Emergency Exit Sign Combo features field-selectable red and green lettering. With included templates for both colors, simply install the slide color you need and flip the LED switch inside to match. The ECL1 is offered in white and black and features a universal mounting bracket for simple installation anywhere, and 90-minute emergency operation with integrated test button. This series is available in both a standard and remote-capable option to use with Remote Heads (2 max), available separately. The ECL1-Select is the ideal low-energy choice for multifamily, commercial, and retail settings.

Construction

- Injection molded thermoplastic ABS housing
- White and Black finishes available
- UL-94V-0 flame rating - Flame Retardant
- Field Selectable Red and Green LED light and lettering
- 6" Letter height
- Supplied with faceplates for single or double face configuration

Electrical

- 120/277V dual voltage operation
- LED indicator light & push-button test switch
- 90 Min capacity on emergency mode
- Remote Capability up to 3W (1.5W per remote head)*
- 3.6V per remote head
- Damp location rated
- Operating temperature rating of 32°F to 104°F (0°C to 40°C)

Installation

- Universal mounting plate with EZ quick connect

Warranty

- 1-year limited system warranty standard

Product Information

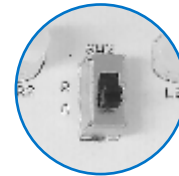
Input Voltage (V):	120/277VAC
Input Power(W):	3.5W (Standard) 4.0W (Remote Models)
Input Current (A)	0.031/0.016A (Standard) 0.032/0.017A (Remote Models)
Delivered Lumen per Head:	193 lm
Charging Time:	24 hrs
Emergency Battery Run Time:	90 minutes
System Warranty:	1 Year Limited

Project

Catalog

Type

Date



Integrated toggle switch for red and green LED



LED indicator light & push-button test switch



color  select



NICOR®

Ordering Information

Example: ECL120UNVWHS2R

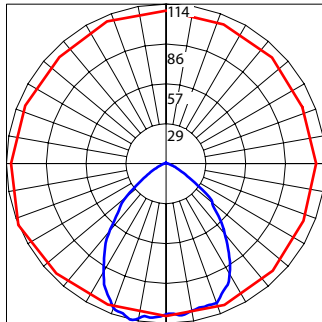
Series	Version	Voltage	Housing	Lettering Color	No. of Sides	Remote
ECL1	20 (2.0)	UNV (120/277V)	WH (White)	S (Red & Green Select)	2	_none
			BK (Black)			R (Remote)

Specifications and dimensions subject to change without notice. Please refer to the website for the most up-to-date information.

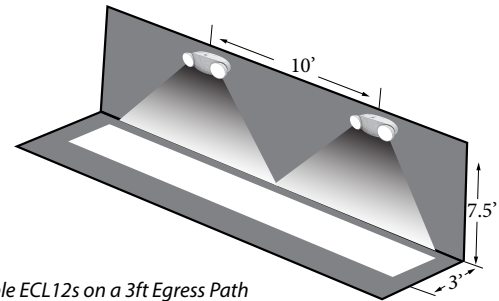
Remote Head Accessories

Standard Single Remote Head	ECL120RH1
Standard Double Remote Head	ECL120RH2
Waterproof Single Remote Head	ECL120RHWP1
Waterproof Double Remote Head	ELC120RHWP2
Waterproof Double Remote Head White	ELC120RHWP2WH

Performance Data



Intensity Summary (Candle Power)	
Angle	Mean CP
0	108
5	109
15	106
25	99
35	78
45	53
55	28
65	9
75	3
85	1
90	0



Multiple ECL12s on a 3ft Egress Path



ECL120RH1

Construction

- White Housing
- Injection molded thermoplastic ABS housing
- UL-94v-0 Flame rating - Flame Retardant
- Adjustable heads for aiming light where required
 - Head tilt: $\pm 45^\circ$
 - Head rotation: 330°

Optical System

- Precision engineered Prismatic Lens

Performance Data

Input Voltage (VDC)	3.6
System Level Power (W)	1.46
Delivered Lumens (Lm)	101
System Efficacy (Lm/W)	69
Correlated Color Temp (K)	6643
Color Rendering Index (CRI)	82



ECL120RH2

Construction

- White Housing
- Injection molded thermoplastic ABS housing
- UL-94v-0 Flame rating - Flame Retardant
- Adjustable heads for aiming light where required
 - Head tilt: $\pm 45^\circ$
 - Head rotation: 330°

Optical System

- Precision engineered Prismatic Lens

Performance Data

Input Voltage (VDC)	3.6
System Level Power (W)	2.92
Delivered Lumens (Lm)	202
System Efficacy (Lm/W)	69
Correlated Color Temp (K)	6643
Color Rendering Index (CRI)	82



ECL120RHWP1

Construction

- Gray Housing
- Weather resistant injection molded thermoplastic ABS housing with powder coated die-cast aluminum base
- UL-94v-0 Flame rating - Flame Retardant
- Adjustable heads for aiming light where required
 - Head tilt: $\pm 70^\circ$
 - Head rotation: 360°

Optical System

- Precision engineered Prismatic Lens

Performance Data

Input Voltage (VDC)	3.6
System Level Power (W)	1.46
Delivered Lumens (Lm)	101
System Efficacy (Lm/W)	69
Correlated Color Temp (K)	6643
Color Rendering Index (CRI)	82



ECL120RHWP2

Construction

- Gray Housing
- Weather resistant injection molded thermoplastic ABS housing with powder coated die-cast aluminum base
- UL-94v-0 Flame rating - Flame Retardant
- Adjustable heads for aiming light where required
 - Head tilt: $\pm 70^\circ$
 - Head rotation: 360°

Optical System

- Precision engineered Prismatic Lens

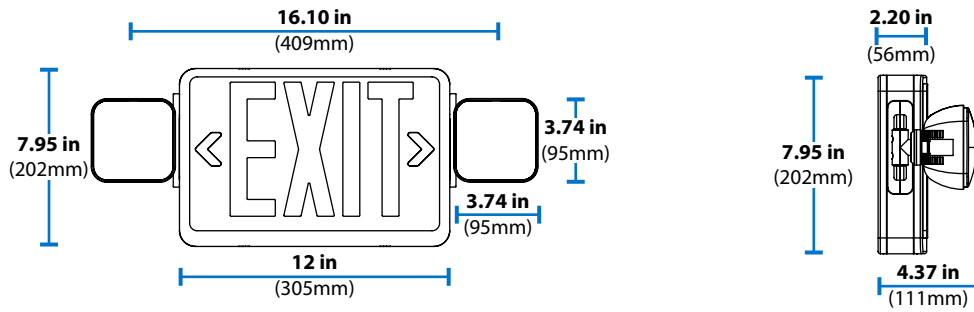
Performance Data

Input Voltage (VDC)	3.6
System Level Power (W)	2.92
Delivered Lumens (Lm)	202
System Efficacy (Lm/W)	69
Correlated Color Temp (K)	6643
Color Rendering Index (CRI)	82

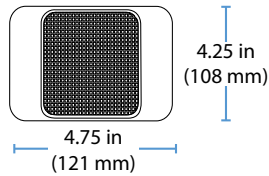
Dimensions

LED Emergency Exit Sign Combo

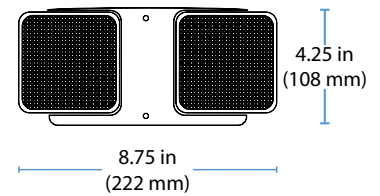
ECL12



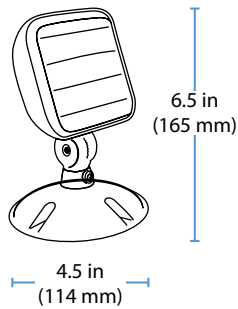
ECL120RH1



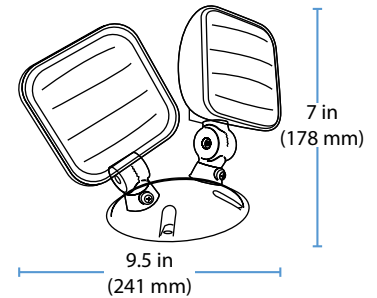
ECL120RH2



ECL120RHWP1



**ECL120RHWP2
ECL120RHWP2WH**



This device complies with part 15 of the FCC Rules. Operation is subject to the following two conditions: (1) This device may not cause harmful interference, and (2) this device must accept any interference received, including interference that may cause undesired operation.

NOTE: This equipment has been tested and found to comply with the limits for a Class A digital device, pursuant to part 15 of the FCC Rules. These limits are designed to provide reasonable protection against harmful interference when the equipment is operated in a commercial environment. This equipment generates, uses, and can radiate radio frequency energy and, if not installed and used in accordance with the instruction manual, may cause harmful interference to radio communications. Operation of this equipment in a residential area is likely to cause harmful interference in which case the user will be required to correct the interference at his own expense.