

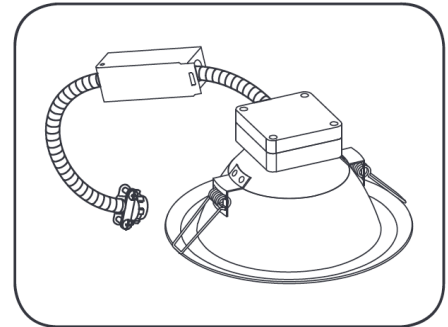
Lumination® LED Luminaire

LRX Series - Retrofit Installation



BEFORE YOU BEGIN

Read these instructions completely and carefully.



⚠ WARNING / AVERTISSEMENT

RISK OF ELECTRIC SHOCK

- Turn power off before inspection, installation or removal.
- Properly ground electrical enclosure.

RISK OF FIRE

- Follow all NEC and local codes.
- Use only UL approved wire for input/output connections.
Minimum size 18 AWG (0.75mm²).
- Do not install insulation within 3 inches (76 mm) of luminaire top.

RISQUES DE DÉCHARGES ÉLECTRIQUES

- Coupez l'alimentation avant d'inspecter, installer ou déplacer le luminaire.
- Assurez-vous de correctement mettre à la terre le boîtier d'alimentation électrique.

RISQUES D'INCENDIE

- Respectez tous les codes NEC et codes locaux.
- N'utilisez que des fils approuvés par UL pour les entrées/sorties de connexion.
Taille minimum 18 AWG (0.75mm²).
- Maintenir une distance de 76 mm (3 pouces) entre le luminaire et l'isolant.

Save These Instructions

Use only in the manner intended by the manufacturer.
If you have any questions, contact the manufacturer.

This device complies with Part 15 of the FCC Rules. Operation is subject to the following two conditions: (1) This device may not cause harmful interference, and (2) this device must accept any interference received, including interference that may cause undesired operation. CAN ICES-005(A)/NMB-005(A)

Note: This equipment has been tested and found to comply with the limits for a Class A digital device, pursuant to part 15 of the FCC Rules. These limits are designed to provide reasonable protection against harmful interference when the equipment is operated in a commercial environment. This equipment generates, uses, and can radiate radio frequency energy and, if not installed and used in accordance with the instruction manual, may cause harmful interference to radio communications. Operation of this equipment in a residential area is likely to cause harmful interference in which case the user will be required to correct the interference at his own expense.

Prepare Electrical Wiring



Electrical Requirements

- The LED luminaire must be connected to the mains supply according to its ratings on the product label.
- Class 1 wiring should be in accordance with NEC.



Grounding Instructions

- The grounding and bonding of the overall system shall be done in accordance to local electric code of the country where the luminaire is installed.

Provided Components

The components have been properly packed to avoid damage during transit. Inspect the components to confirm there is no physical damage. Do not install damaged components.

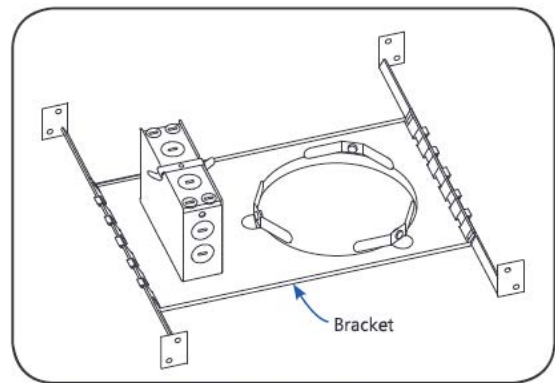
Component List

- LRX G Gimbal Downlight
- Installation Instructions

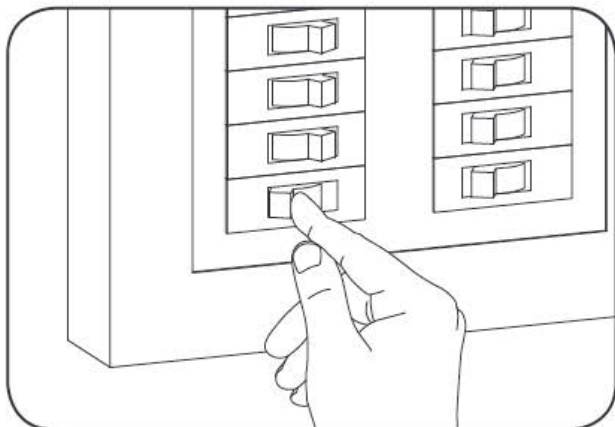
Luminaire Installation

Before installation, verify that the existing junction box and bracket are metal construction, designed similarly to Illustration 1A.

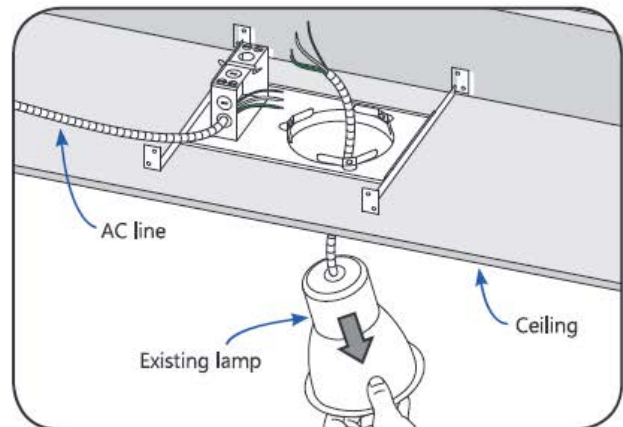
| Fixture Size | Fixture Type | Existing Hole Size | Suitable Fixture |
|--------------|--------------|--------------------|------------------|
| 4 | Round | 4.20-5.50 | LRXR4XXXXXXXX |
| 6 | Round | 5.91-6.50 | LRXR6XXXXXXXX |
| 8 | Round | 7.68-8.27 | LRXR8XXXXXXXX |
| 10 | Round | 10.0-11.0 | LRXR10XXXXXXXX |
| 12 | Round | 12.0-12.75 | LRXR12XXXXXXXX |
| 4 | Square | 4.20-5.50 | LRXS4XXXXXXXX |
| 6 | Square | 5.95-7.50 | LRXS6XXXXXXXX |
| 8 | Square | 7.95-9.50 | LRXS8XXXXXXXX |
| 6 | Gimbal | 5.91-6.50 | LRXGR6XXXXXXXX |



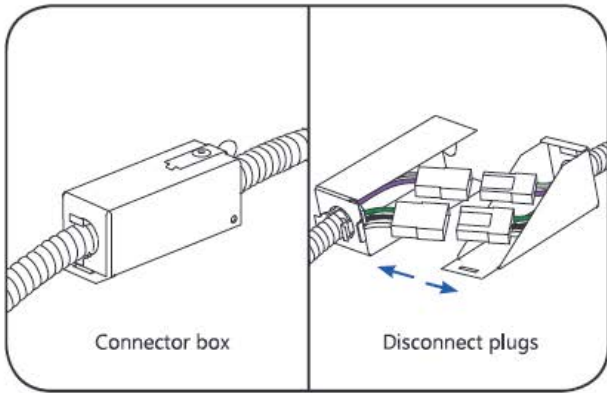
LRX Series is compatible only with Round rough-in plates.



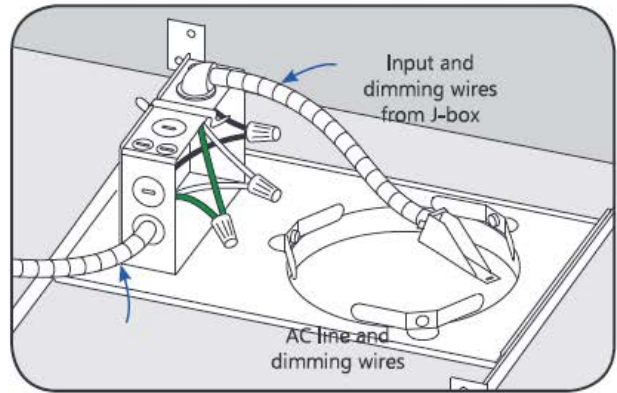
① Ensure that the power to the unit is turned off. Use proper lockout/tagout procedures.



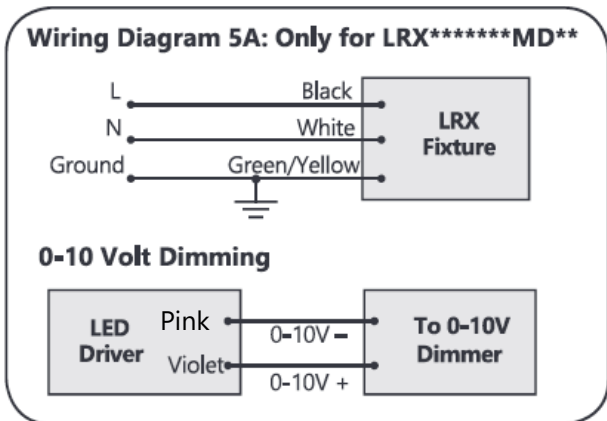
② Remove existing lamps, fixture and ballast. Leave wiring in junction box. Verify that the AC supply line is provided with a ground wire connected to the luminaire.



3 Disassemble the quick disconnection box (connector box) and unplug the two quick connectors inside.

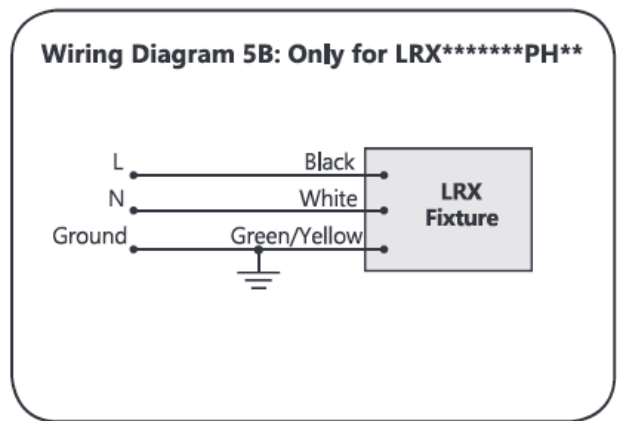


4 Connect conduit end with input leads to existing junction box and make the proper connections. Make all electrical connections using twist-on wire connectors. Securely close the junction box.



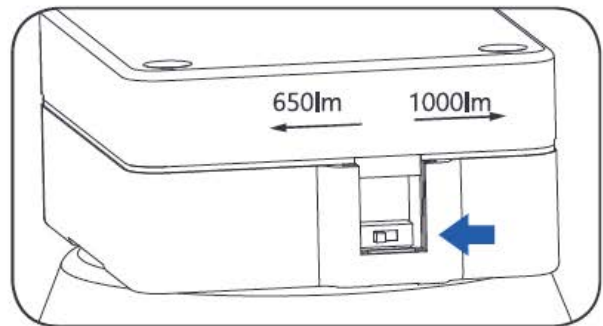
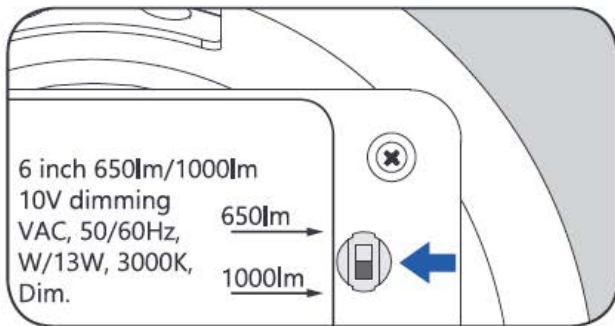
Optional Dimmer: When connecting a dimming controller, low-voltage dimming wires must route through a separate knockout. Connect the violet (dimming +) and pink (dimming -) wires to the violet and pink fixture wires.

Note: Cap all unused dimming leads with wire nuts



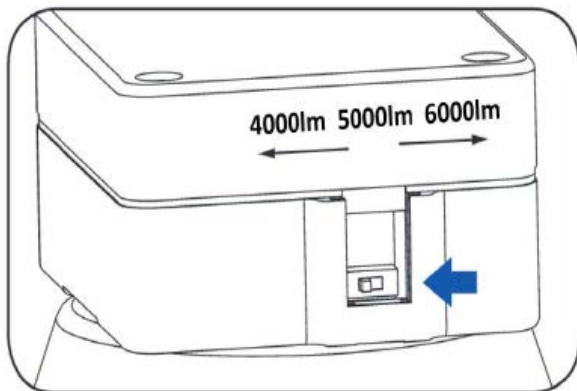
Note: Phase cut dimmers must be wired to the power feed "hot" line (L). For 0-10V and phase cut dimming compatibility, please visit: www.led.com/dimming

5 Adjusting Lumen Output
(for compatible fixtures only)



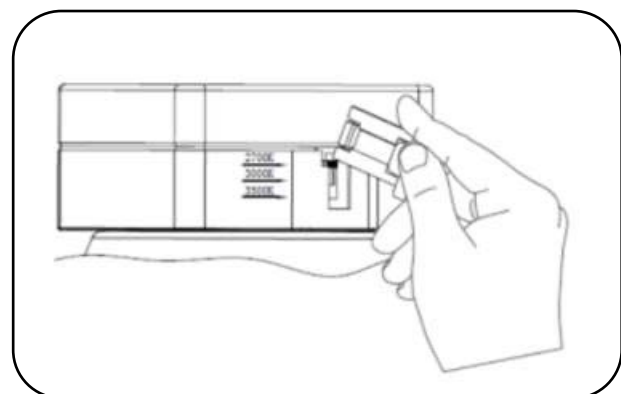
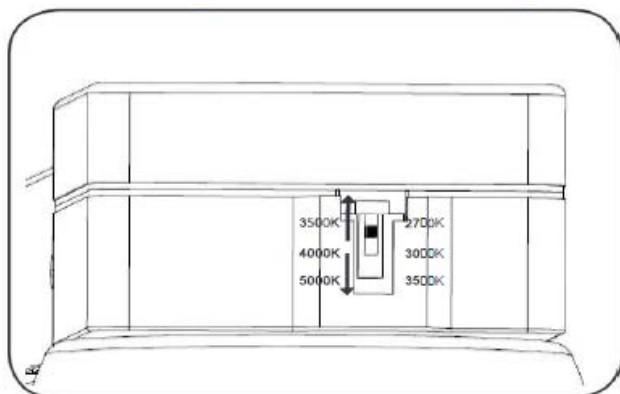
Note:

For 1000/650lm luminaires, the default lumen output is 1000lm. Push the switch up to activate the 650lm setting.
For 4000/3000lm luminaires, the default lumen output is 4000lm. Push the switch up to activate the 3000lm setting.



Note: For 10inch and 12inch adjustable lumen fixtures, the default lumen output is set to 6000lm. Push switch left to activate 5000lm and 4000lm respectively.

6 Adjusting CCT
(for compatible fixtures only)

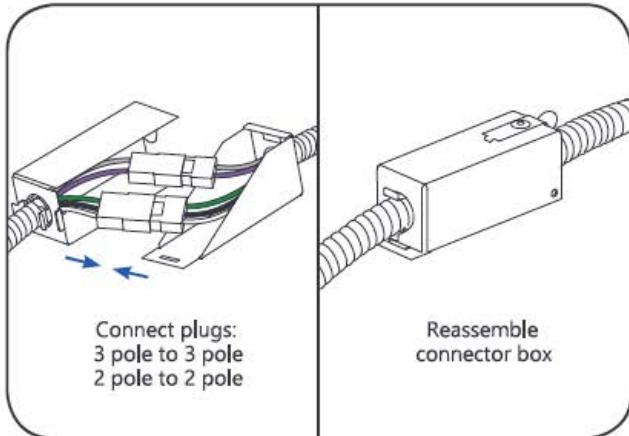


Note:

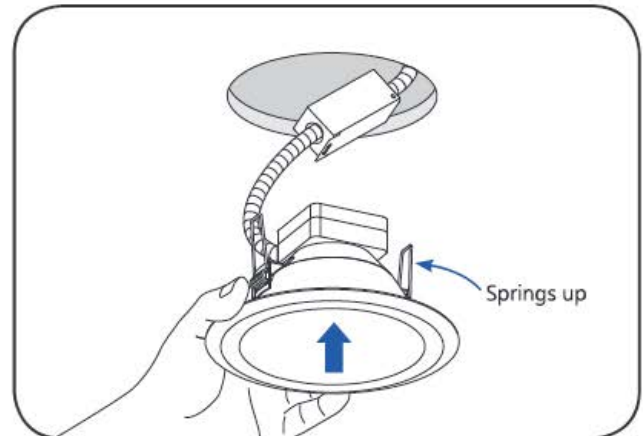
For 2700K/3000K/3500K, default output CCT is 3000K.
Push switch up to select 2700K or DOWN to select 3500K.

For 3500K/4000K/5000K, default output CCT is 4000K.
Push switch UP to select 3500K or DOWN to select 5000K

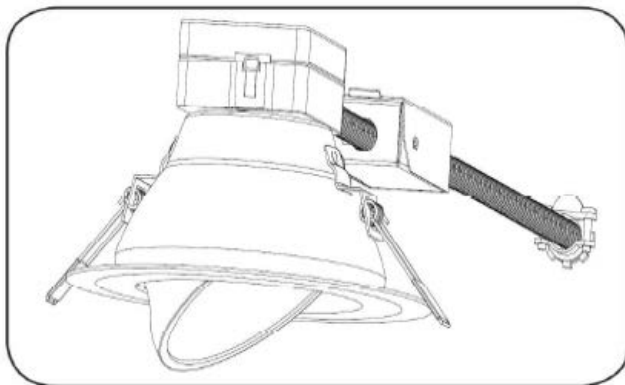
Note: The cover of the CCT switch can be used as a tool for switching CCT settings more easily.



7 Firmly connect the two quick connectors and reassemble the connector box.



8 Load springs into an upright position by twisting the springs upward. Carefully insert the fixture into the hole of the rough-in frame. Verify that the reflector trim is flush to the ceiling.



Once installed, LRX Gimbal downlight's light engine can be rotated up to 359° horizontally and tilted up to 35° vertically.

Note: it is recommended to use gloves while handling and adjusting the Gimbal light engine to prevent dirt and oils from contaminating the surface of the luminaire.

CAUTION/ATTENTION

RISK OF PERSONAL INJURY - Operators shall ensure no appendages are in the path of the torsion springs as they are a pinch hazard when released. The springs will release when the arm is flexed downward. Be cautious that no body part is in the path of the spring when released.

RISQUE DE BLESSURE CORPORELLE - Les techniciens veilleront à ce qu'aucun appendice ne se trouve sur le chemin des ressorts de torsion, car ils présentent un risque de pincement lorsqu'ils sont libérés. Les ressorts seront libérés au moment de fléchir le bras vers le bas. Faites attention à ce qu'aucune partie du corps ne se trouve sur le chemin du ressort à sa libération.