

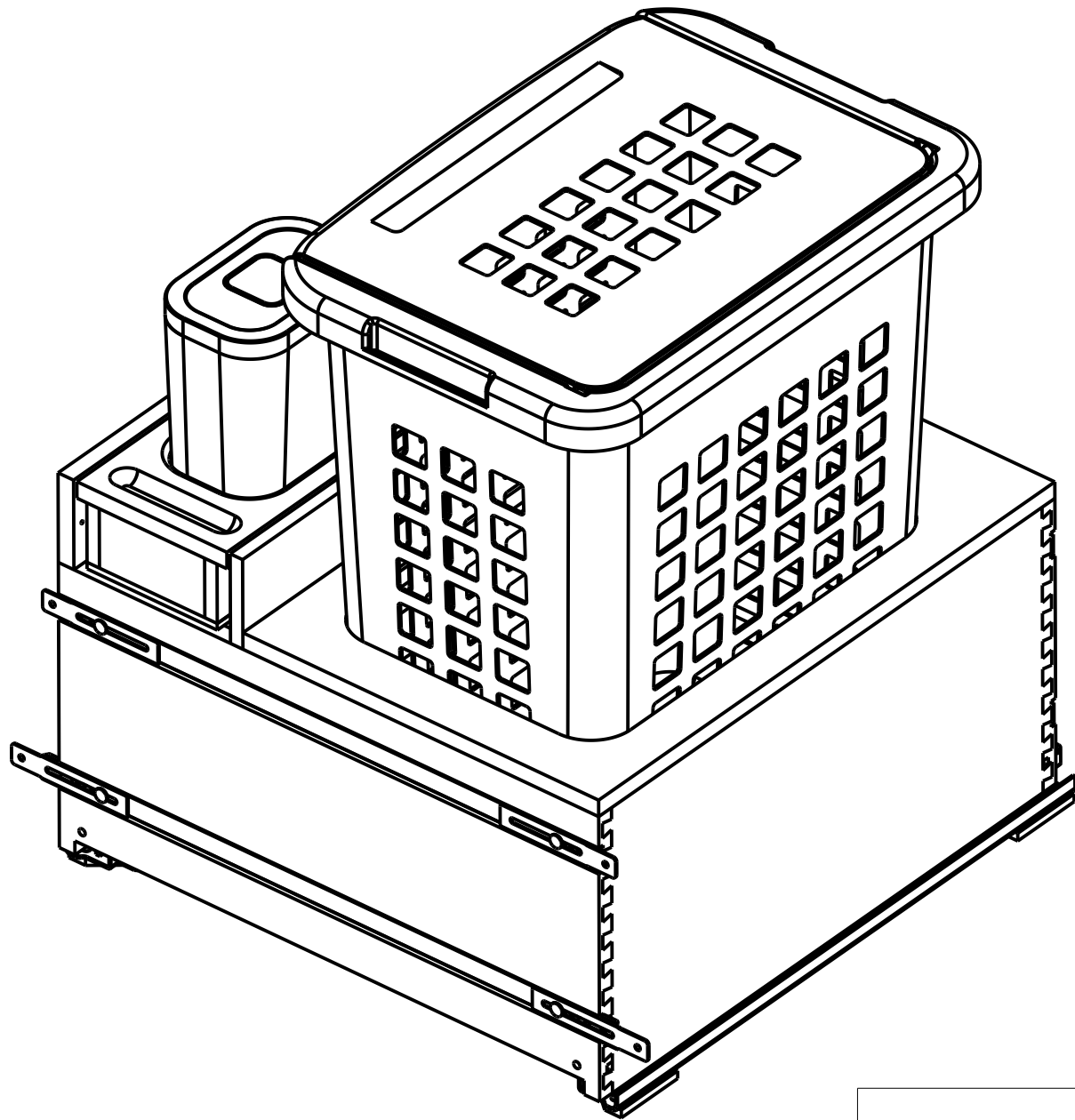
- NOTES:  
 1. FINISH: MAPLE  
 2. HOLDS (1) 2.3-BUSHEL HAMPER

CUSTOMER DRAWING

This drawing is the property of Rev-A-Shelf (RAS) and is disclosed in confidence to the extent its subject matter is original to RAS. Any vendor receiving this drawing from RAS shall hold and use this drawing for the sole benefit of RAS and shall not disclose it to, or use or reproduce it for any third party, or perform any act adverse to the interest of RAS with respect to this drawing without the express written permission of RAS. Vendors shall not revise any physical, dimensional or performance characteristic unless authorized by Rev-A-Shelf Engineering.

REV.	DATE	BY	DESCRIPTION OF CHANGE

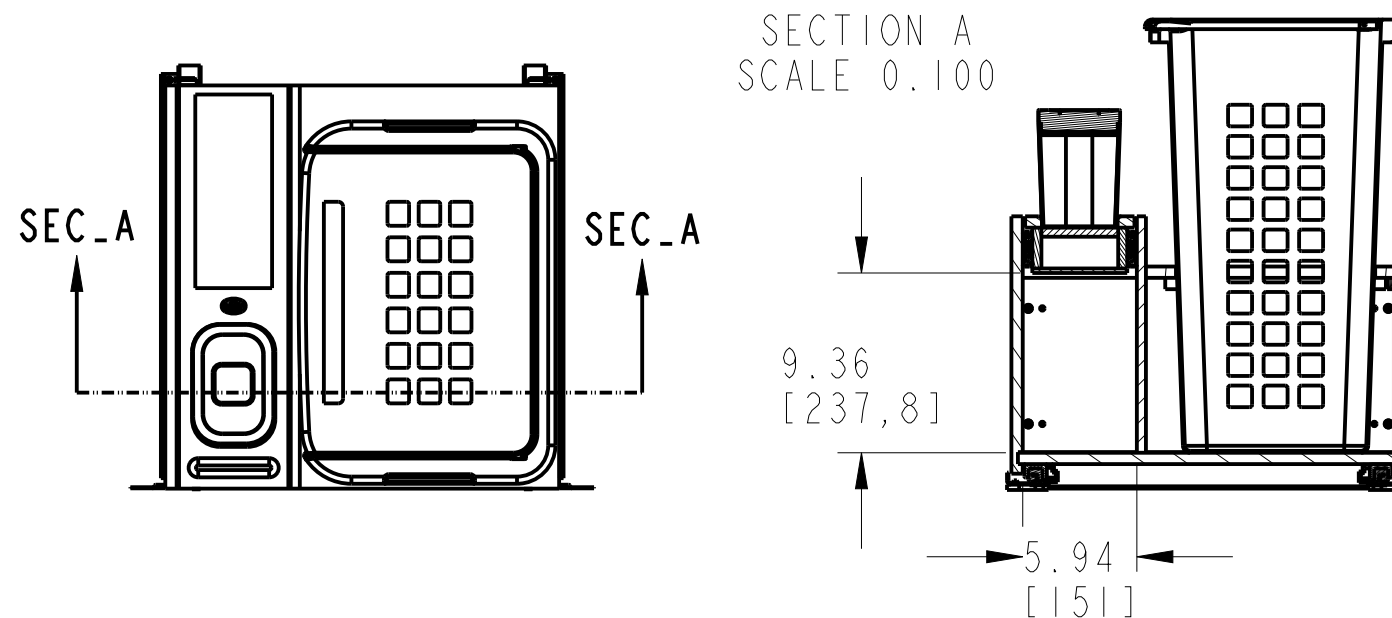
INCH [MM]	AMERICAN PROJECTION 	BY	DATE	<b>REV-A-SHELF, Inc.</b>	
		JAB	1/30/23		
DRAWN		MATERIAL		SIZE	WOOD HAMPER WITH
TOLERANCES		FINISH		DRAWING NO.	OXO AND STORAGE FHB24
MAT. DEC. (WOOD) .XX ±.03 [8mm] (OTHER) .XX ±.02 [5mm] (ALL) .XXX ±.005 [13 mm] FRACTIONS ±1/32 [8 mm]		ANGLES ±1/2°		PART NO.	SCALE
				4WHOX-24FHDMSC-1	0.125
				4WHOX-24FHDMSC-1	SHEET OF
					1 2



PART DIMENSIONS		
	MIN	MAX
WIDTH	20.97	
DEPTH	22.04	
HEIGHT	24.50	
WEIGHT		
DIAMETER		
RADIUS		
CONTAINER CAPACITY	2.3	
CONTAINER UOM	BUSHEL	

MIN CABINET OPENING	
WIDTH	21
DEPTH	22.125
HEIGHT	25

PRODUCT MAX WEIGHT RATING



SLIDE SPECIFICATIONS				
SLIDE TYPE	UNDERMOUNT	SLIDE EXTENSION	OVER-TRAVEL	MAX WEIGHT RATING
SLIDE CLOSING	SOFT CLOSE	SLIDE LENGTH	21	
SLIDE MOUNTING	BOTTOM	SLIDE FINISH	ZINC	155 LBS

CUSTOMER DRAWING

This drawing is the property of Rev-A-Shelf (RAS) and is disclosed in confidence to the extent its subject matter is original to RAS. Any vendor receiving this drawing from RAS shall hold and use this drawing for the sole benefit of RAS and shall not disclose it to, or use or reproduce it for any third party, or perform any act adverse to the interest of RAS with respect to this drawing without the express written permission of RAS. Vendors shall not revise any physical, dimensional or performance characteristic unless authorized by Rev-A-Shelf Engineering.

REV.	DATE	BY	DESCRIPTION OF CHANGE

INCH [MM]	AMERICAN PROJECTION	DRAWN	BY	DATE	
		JAB	JAB	1/30/23	
TOLERANCES		MATERIAL		DRAWING NO.	SCALE
MAT. DEC. (WOOD) .XX ±.03 [.8mm] (OTHER) .XX ±.02 [.5mm] (ALL) .XXX ±.005 [.13 mm] FRACTIONS ±1/32 [.8 mm]		FINISH		4WHOX-24FHDMSC-1	0.200
				PART NO.	SHEET OF
				4WHOX-24FHDMSC-1	2 2