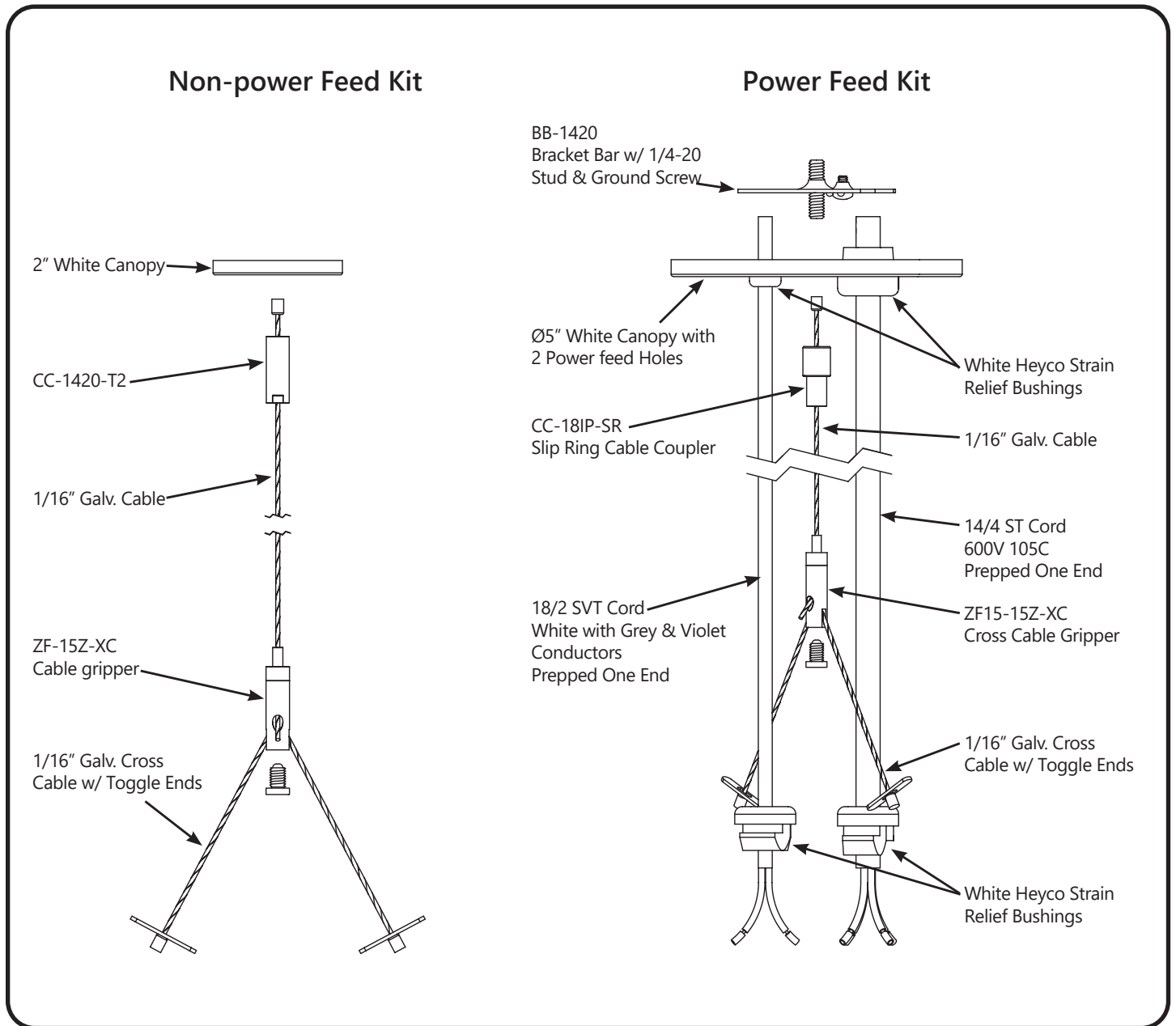


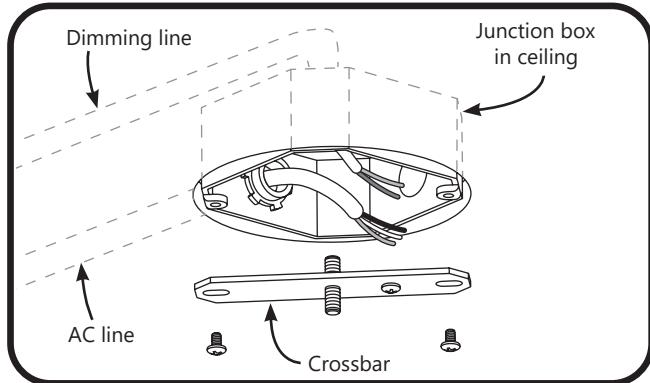
Lumination® Suspension Kit (SS-Series)



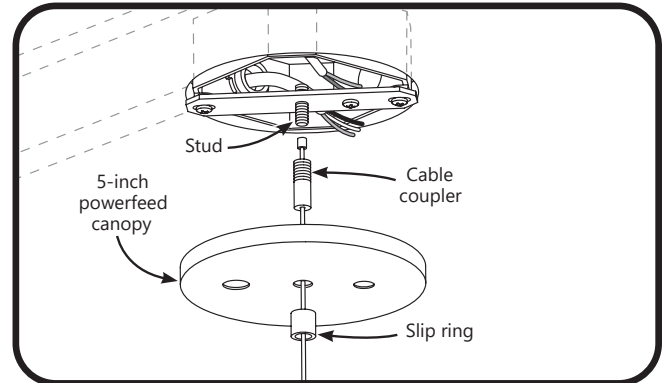
Components



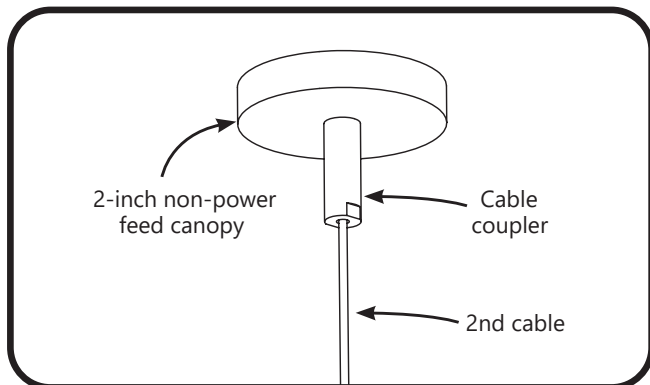
Installation



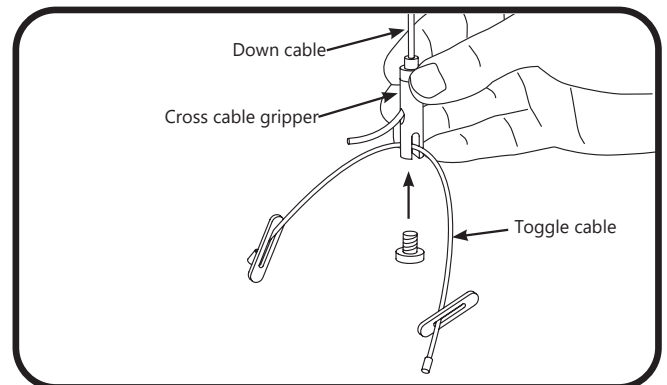
① Attach crossbar to junction box in ceiling with two #8 screws (not provided).



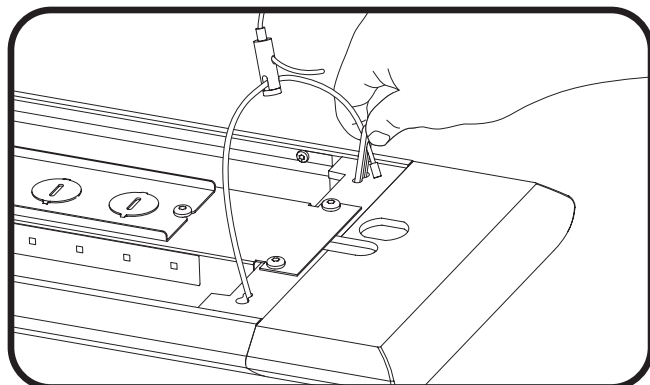
② Pass cable through cable coupler and screw onto stud. Pass cable through canopy and slip ring (power canopy shown).



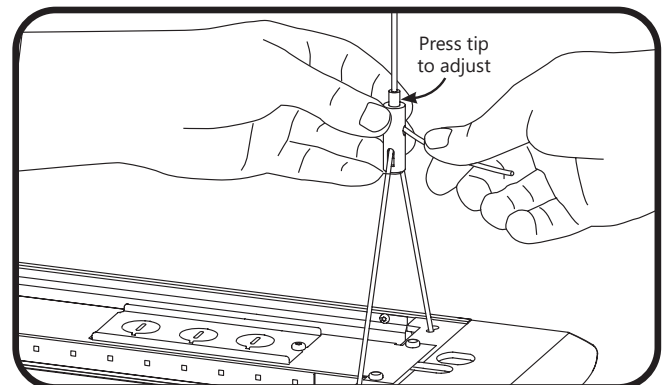
③ Hang second cable to a structural ceiling member capable of supporting 44 pounds and cover with non-power feed canopy.



④ Assemble cross cables: Remove screw from cross cable gripper and insert toggle cable into slot. Replace screw and tighten.

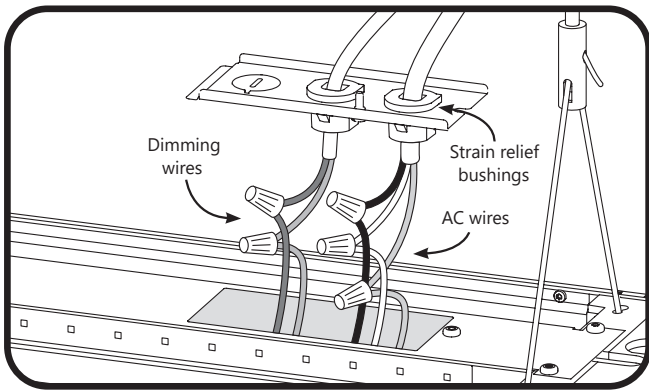


⑤ Insert both ends of the toggle cable into the luminaire mounting holes and adjust so that the toggles are engaged and will not come out of the holes when loaded.



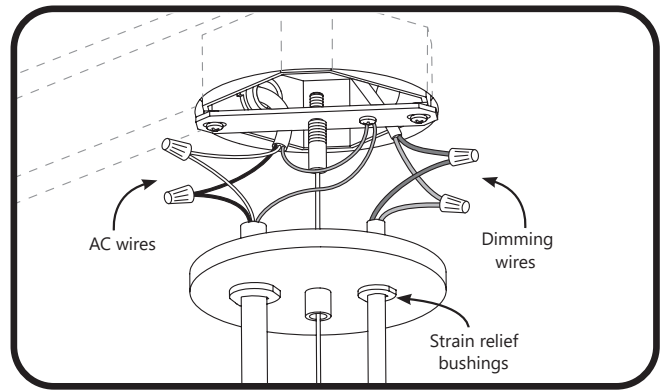
⑥ To adjust height and to level a fixture, press the tip of the gripper and pull the suspension cable to the desired height. Clip the cable with cable cutters to finish the appearance.

NOTE: Gripper cannot be depressed while there is weight on mechanisms.

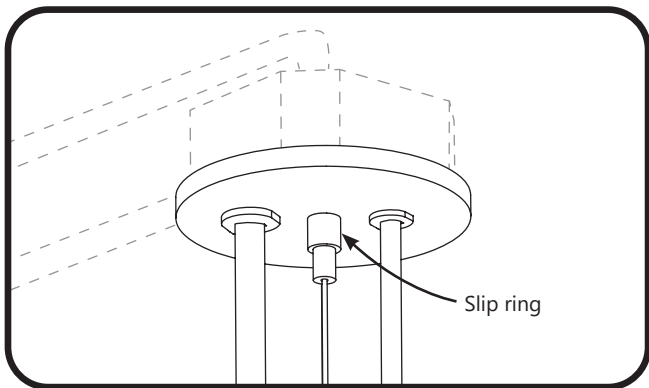


7 Remove electrical cover and install cords using provided strain relief bushings. Connect the black (line), white (neutral) and green (ground) wires from the luminaire to the matching- colored wires of the AC cord. Connect the white/grey and violet wires from the luminaire to the matching- colored wires of the dimming cord.

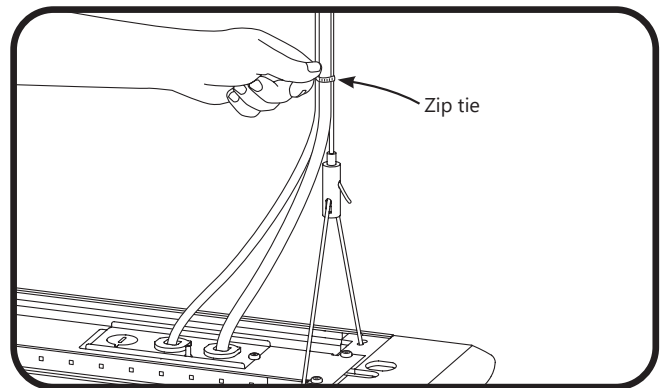
NOTE: A brown wire in the through wiring is offered for an additional circuit as needed.



8 Connect the black (line) and white (neutral) wires from the ceiling to the matching- colored wires from the AC cord. Connect both green wires to the grounding screw. Connect the white/grey and violet wires from the luminaire to the matching- colored wires from the dimming circuit.



9 Push canopy up to ceiling and tighten slip ring over cable coupler. Make sure no openings are present in enclosure



10 Secure feed cords to aircraft cable using provided zip ties.

Conforms to the following standards:

