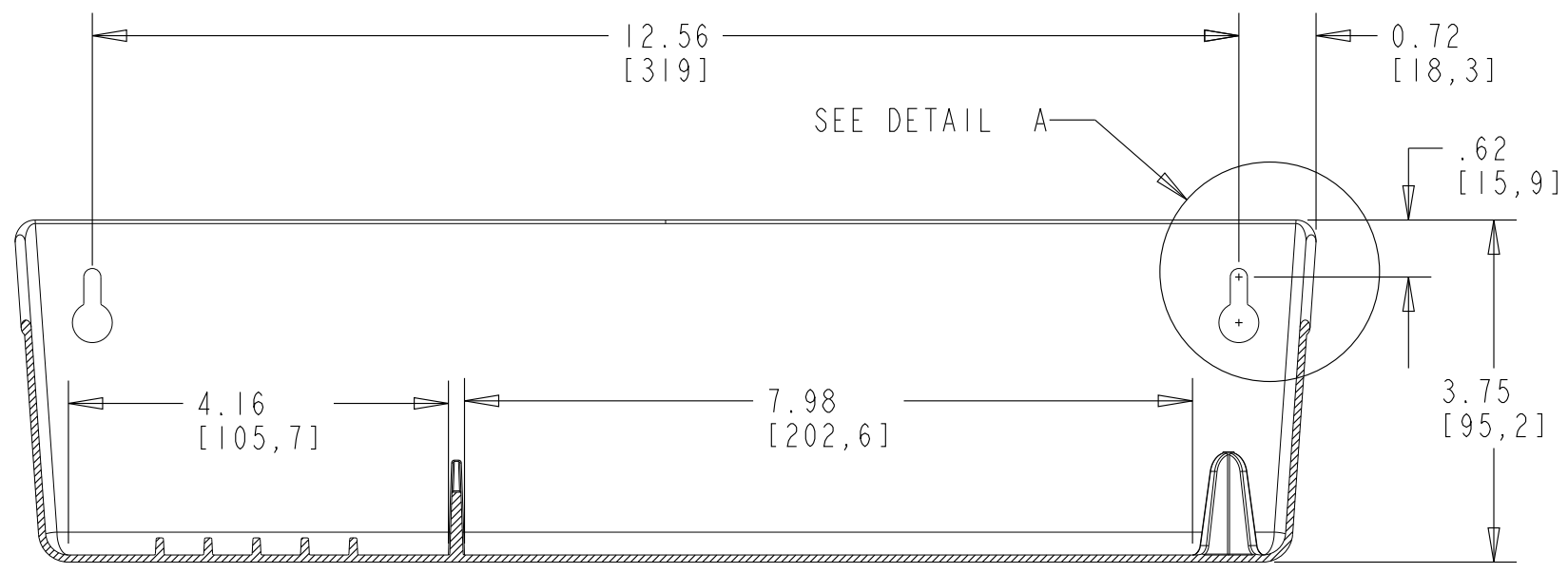
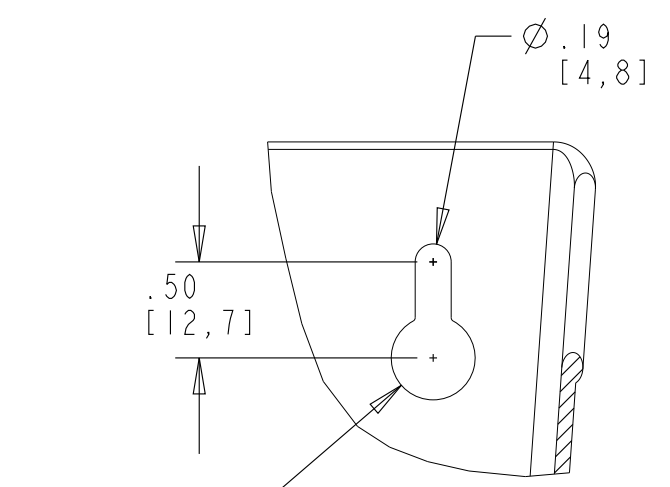


SECTION C-C



SECTION B-B



DETAIL A  
SCALE 1.000

NOTE: DIMENSION TOLERANCE  $\pm .06$ "

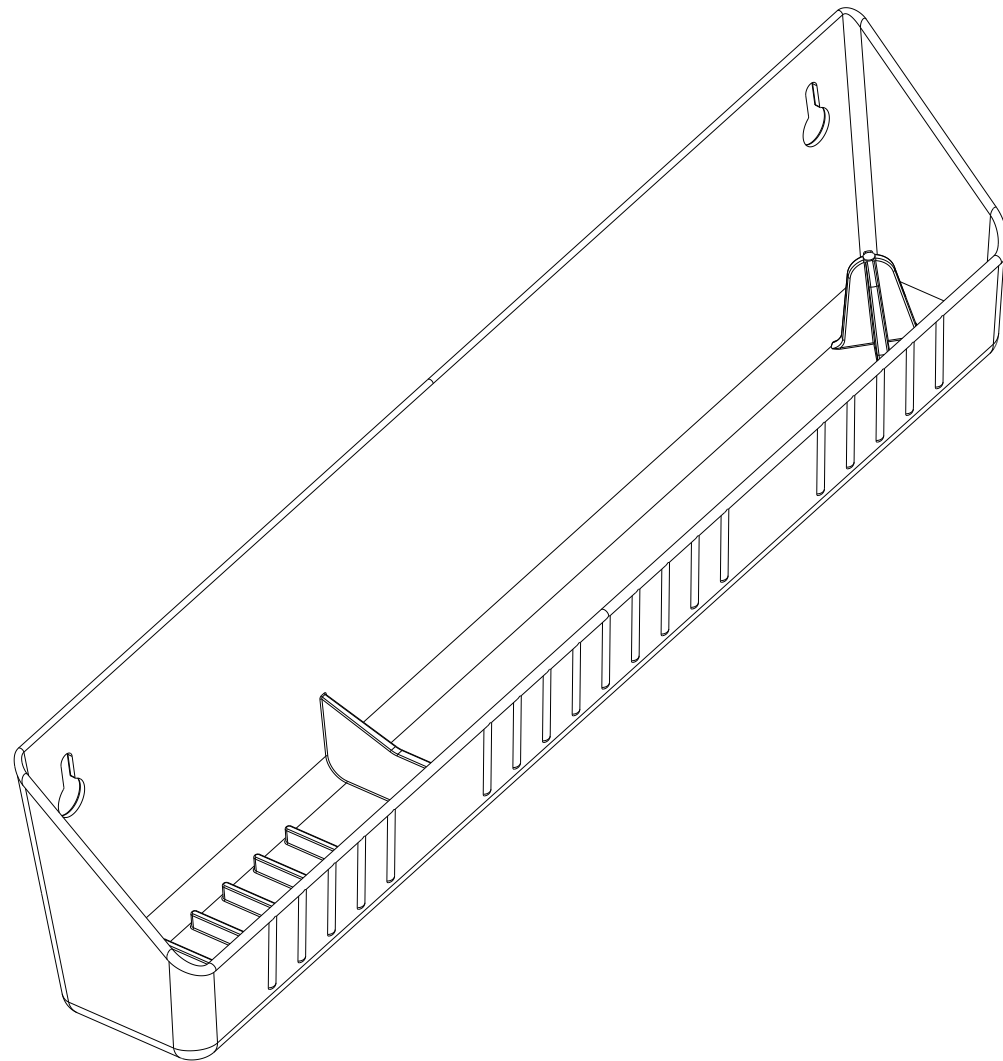
| PART NUMBER  | COLOR  |
|--------------|--------|
| 6591-14-11-4 | WHITE  |
| 6591-14-15-4 | ALMOND |

CUSTOMER DRAWING

This drawing is the property of Rev-A-Shelf (RAS) and is disclosed in confidence to the extent its subject matter is original to RAS. Any vendor receiving this drawing from RAS shall hold and use this drawing for the sole benefit of RAS and shall not disclose it to, or use or reproduce it for any third party, or perform any act adverse to the interest of RAS with respect to this drawing without the express written permission of RAS. Vendors shall not revise any physical, dimensional or performance characteristic unless authorized by Rev-A-Shelf Engineering.

| REV. | DATE | BY | DESCRIPTION OF CHANGE |
|------|------|----|-----------------------|
|      |      |    |                       |
|      |      |    |                       |
|      |      |    |                       |

|              |                            |          |                   |                   |
|--------------|----------------------------|----------|-------------------|-------------------|
| INCH<br>[MM] | AMERICAN<br>PROJECTION<br> | BY       | DATE              | REV-A-SHELF, INC. |
|              |                            | DRAWN    | KRR 1-20-14       |                   |
| TOLERANCES   |                            | MATERIAL | DRAWING NO.       | SCALE             |
| MAT.         | DEC.                       |          | 6591-14-XX-4-CUST |                   |
| (WOOD)       | .XX $\pm .03$ [8mm]        | FINISH   | PART NO.          | SHEET OF          |
| (OTHER)      | .XX $\pm .02$ [5mm]        |          | SEE CHART         |                   |
| (ALL)        | .XXX $\pm .005$ [13 mm]    |          |                   |                   |
| FRACTIONS    | $\pm 1/32$ [8 mm]          |          |                   |                   |



| PART NUMBER  | COLOR  |
|--------------|--------|
| 6591-14-11-4 | WHITE  |
| 6591-14-15-4 | ALMOND |

| PART DIMENSIONS |               |
|-----------------|---------------|
| WIDTH           | 14.00 [355,6] |
| DEPTH           | 2.12 [54]     |
| HEIGHT *        | 3.75 [95,2]   |

\* HEIGHT W/ SELF-HOLDIN HINGES: 3.80 [96,5]

| MIN CABINET OPENING ** |             |             |                  |                 |
|------------------------|-------------|-------------|------------------|-----------------|
|                        | FACE FRAME  | FRAMELESS   | INSET FACE FRAME | INSET FRAMELESS |
| WIDTH                  | 16.25 [413] | 16.25 [413] | 16.25 [413]      | 16.25 [413]     |
| DEPTH                  | 2.38 [60,3] | 2.38 [60,3] | 3.13 [79,4]      | 3.13 [79,4]     |
| HEIGHT                 | 3.88 [98,4] | 3.88 [98,4] | 3.88 [98,4]      | 3.88 [98,4]     |

\*\* MCO BASED ON SELF-HOLDIN HINGES

| HINGE SPECIFICATIONS |          |                     |      |                   |
|----------------------|----------|---------------------|------|-------------------|
| HINGE PART NUMBER    | HA 94-MZ | RELEASE PART NUMBER | N/A  | MAX WEIGHT RATING |
| HINGE TYPE           | PIVOT    | HINGE EXTENSION     | 45°  |                   |
| HINGE CLOSING        | N/A      | HINGE LENGTH        | N/A  | N/A               |
| HINGE MOUNTING       | SIDE     | HINGE FINISH        | ZINC |                   |

CUSTOMER DRAWING

This drawing is the property of Rev-A-Shelf (RAS) and is disclosed in confidence to the extent its subject matter is original to RAS. Any vendor receiving this drawing from RAS shall hold and use this drawing for the sole benefit of RAS and shall not disclose it to, or use or reproduce it for any third party, or perform any act adverse to the interest of RAS with respect to this drawing without the express written permission of RAS. Vendors shall not revise any physical, dimensional or performance characteristic unless authorized by Rev-A-Shelf Engineering.

| REV. | DATE | BY | DESCRIPTION OF CHANGE |
|------|------|----|-----------------------|
|      |      |    |                       |
|      |      |    |                       |
|      |      |    |                       |

|                           |                         |                 |          |                   |   |
|---------------------------|-------------------------|-----------------|----------|-------------------|---|
| INCH [MM]                 | AMERICAN PROJECTION<br> | DRAWN           | BY       | DATE              | REV-A-SHELF, INC.<br>14" POLYMER TIP-OUT ACCESSORY TRAY |
|                           |                         | KRR             |          | 1-20-14           |   |
| TOLERANCES                |                         | ANGLES<br>±1/2° | MATERIAL | DRAWING NO.       | SCALE   |
| MAT.                      | DEC.                    |                 | FINISH   | 6591-14-XX-4-CUST | 0.500   |
| (WOOD) .XX ±.03 [.8mm]    | (OTHER) .XX ±.02 [.5mm] |                 |          | PART NO.          | SHEET OF  |
| (ALL) .XXX ±.005 [.13 mm] | FRACTIONS ±1/32 [.8 mm] |                 |          | SEE CHART         | 2 OF 2  |