

# Lumination® LED Luminaires



## LAL Series - Louver Installation Supplement



### BEFORE YOU BEGIN

Read these instructions completely and carefully.

### ⚠ WARNING/AVERTISSEMENT

**RISK OF ELECTRIC SHOCK**

- Turn power off before inspection, installation or removal.
- Properly ground electrical enclosure.

**RISK OF FIRE**

- Follow all NEC and local codes.
- Use only UL approved wire for input/output connections. Minimum size 18 AWG.
- Type IC, inherently protected.

**RISK OF INJURY**

- Louver may fall down if not installed properly.

**RISQUES DE DÉCHARGES ÉLECTRIQUES**

- Coupez l'alimentation avant d'inspecter, installer ou déplacer le luminaire.
- Assurez-vous de correctement mettre à la terre le boîtier d'alimentation électrique.

**RISQUES D'INCENDIE**

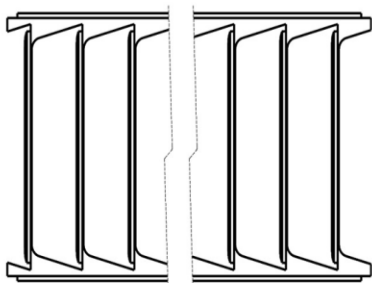
- Respectez tous les codes NEC et codes locaux.
- N'utilisez que des fils approuvés par UL pour les entrées/sorties de connexion. Taille minimum 18 AWG.
- Type IC, protection inhérente.

**RISQUES DE BLESSURE**

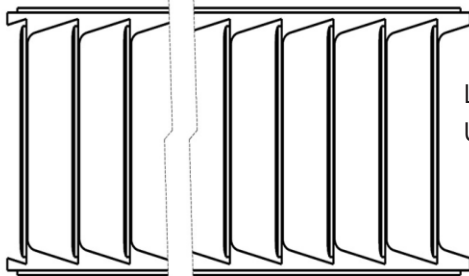
- Le volet peut tomber s'il n'est pas installé correctement.

### Provided in the package:

Multiple louvers will be included in the packaging with each fixture.

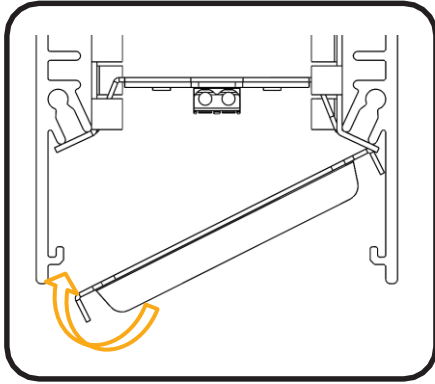


Louver Length = 11 inches  
One used in every LALR Starter Fixtures

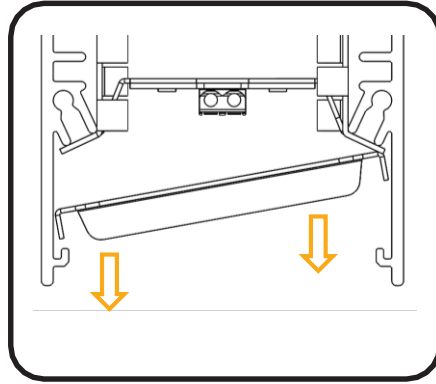


Louver Length = 12 inches  
Used in LALR Continuous and LALS Fixtures

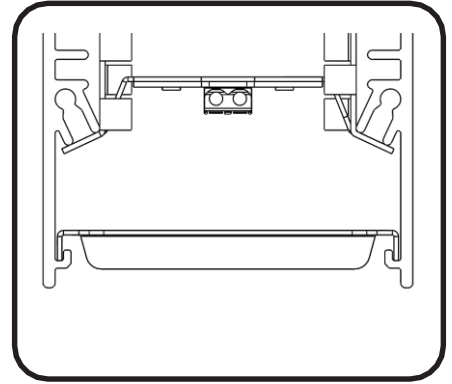
## Installation



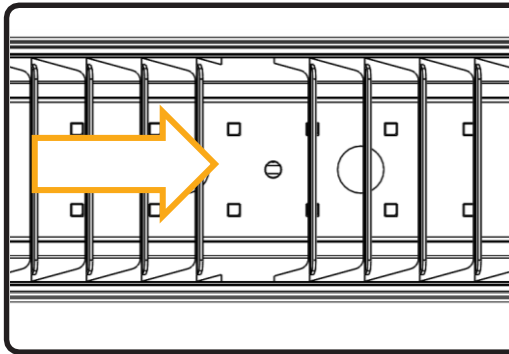
- 1 Place louver in fixture as shown and rotate into position. Push gently to engage hook.



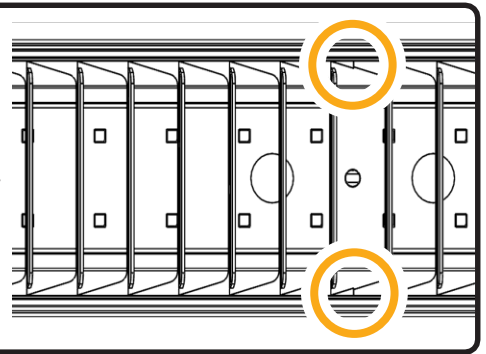
- 2 Pull louver down so both hooks engage the housing.



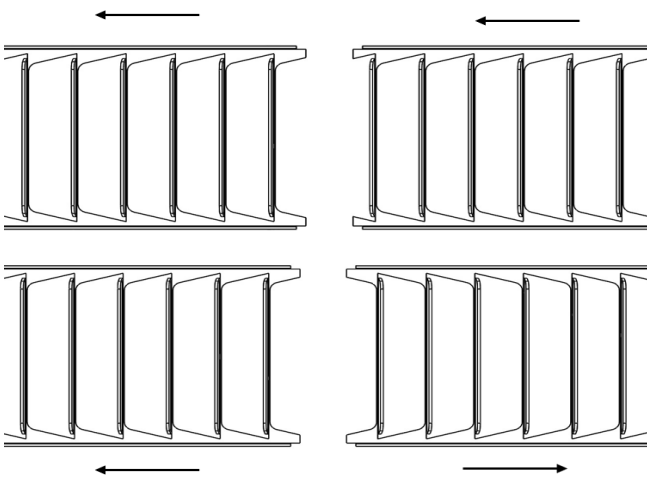
- 3 Louvers must hook into the housing.



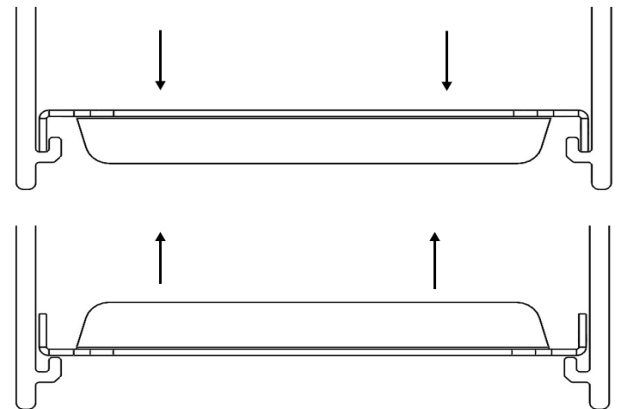
- 4 Slide louvers together so they touch. Ensure all louvers are facing the same direction.



## Troubleshooting



Ensure louvers are facing the same way.



Louvers must hook into the housing.