

# Pioneer

SLIM PORTABLE USB 3.0 BD/DVD/CD WRITER  
GRAVEUR DE BD/DVD/CD MINCE ET PORTABLE A USB 3.0  
GRABADORA USB 3.0 DE BD/DVD/CD PLANA Y PORTÁTIL

# BDR-XD07S

Operating Instructions  
Mode d'emploi  
Manual de instrucciones

## CAUTION

RISK OF ELECTRIC SHOCK  
DO NOT OPEN

**CAUTION:**  
TO PREVENT THE RISK OF ELECTRIC SHOCK, DO NOT REMOVE COVER (OR BACK). NO USER-SERVICEABLE PARTS INSIDE. REFER SERVICING TO QUALIFIED SERVICE PERSONNEL.



**BDXL**™

**DVD**  
**MULTI**  
RECORDER

**DVD**  
R/RW/RAM

**RW**  
DVD+R DL

**RW** High Speed  
DVD+ReWritable

**COMPACT**  
**disc** ReWritable  
Ultra Speed

**M**  
DISC

Thank you for buying this Pioneer product. Before using the drive, read all warnings, cautions, notices and other important safety information contained in these Operating Instructions. Please read the entire manual before using this drive as it contains important information, such as regulatory data, software license agreement(s), product registration details, service instructions and guidelines.

### **WARNING**

**This equipment is not waterproof. To prevent a fire or shock hazard, do not place any container filled with liquid near this equipment (such as a vase or flower pot) or expose it to dripping, splashing, rain or moisture.**

D3-4-2-1-3\_B\_En

### **Precautions Regarding Use**

- Pioneer may not be held liable for the loss of any data or any other direct or indirect damage suffered as the result of the use or breakdown of this product. It is strongly recommended to regularly back up all critical data.
- Care must be taken not to infringe copyright restrictions under the laws of each country. If this device is used to record copyrighted materials, approval must be obtained from the respective copyright holders. The recording of copyrighted materials without the express approval of the respective copyright holders may result in legal penalties. Pioneer disclaims any and all responsibility for any legal damages resulting from the use of this device in the unauthorized copying of copyrighted materials.
- All names of corporations, products, and systems listed herein, even when the (™) or (®) symbols are omitted, are considered the registered trademarks of the respective owners.

**DANGER – VISIBLE AND INVISIBLE LASER RADIATION WHEN OPEN. AVOID DIRECT EXPOSURE TO BEAM.**

## **IMPORTANT**



The lightning flash with arrowhead symbol, within an equilateral triangle, is intended to alert the user to the presence of uninsulated "dangerous voltage" within the product's enclosure that may be of sufficient magnitude to constitute a risk of electric shock to persons.

### **CAUTION**

**RISK OF ELECTRIC SHOCK  
DO NOT OPEN**

**CAUTION:**  
TO PREVENT THE RISK OF ELECTRIC SHOCK, DO NOT REMOVE COVER (OR BACK). NO USER-SERVICEABLE PARTS INSIDE. REFER SERVICING TO QUALIFIED SERVICE PERSONNEL.



The exclamation point within an equilateral triangle is intended to alert the user to the presence of important operating and maintenance (servicing) instructions in the literature accompanying the appliance.

D3-4-2-1-1\_A1\_En



Machine Noise Information Regulation 3.

GPSGV: The highest sound-pressure level is 70 dB(A) or less in accordance EN ISO 7779.

### Information to User

Alterations or modifications carried out without appropriate authorization may invalidate the user's right to operate the equipment.

D8-10-2\_A1\_En

### NOTE:

This equipment has been tested and found to comply with the limits for a Class B digital device, pursuant to Part 15 of the FCC Rules. These limits are designed to provide reasonable protection against harmful interference in a residential installation. This equipment generates, uses, and can radiate radio frequency energy and, if not installed and used in accordance with the instructions, may cause harmful interference to radio communications. However, there is no guarantee that interference will not occur in a particular installation. If this equipment does cause harmful interference to radio or television reception, which can be determined by turning the equipment off and on, the user is encouraged to try to correct the interference by one or more of the following measures:

- Reorient or relocate the receiving antenna.
- Increase the separation between the equipment and receiver.
- Connect the equipment into an outlet on a circuit different from that to which the receiver is connected.
- Consult the dealer or an experienced radio/TV technician for help.

D8-10-1-2\_A1\_En

### CAUTION

This product satisfies FCC regulations when shielded cables and connectors are used to connect the unit to other equipment. To prevent electromagnetic interference with electric appliances such as radios and televisions, use shielded cables and connectors for connections.

D8-10-3b\_A1\_En

### FEDERAL COMMUNICATIONS COMMISSION DECLARATION OF CONFORMITY

This device complies with part 15 of the FCC Rules. Operation is subject to the following two conditions: (1) This device may not cause harmful interference, and (2) this device must accept any interference received, including interference that may cause undesired operation.

Product Name: BD/DVD/CD WRITER

Model Number: BDR-XD07S

Responsible Party Name: PIONEER ELECTRONICS (USA) INC.

Address: 2050 W. 190th Street, Suite 100, Torrance, CA 90504

Phone: 1-800-421-1404

URL: <https://www.pioneerelectronics.com/PUSA/>

D8-10-4\*\_C1\_En

This product was classified under the Safety of laser products, IEC 60825-1:2014



is a trademark of Blu-ray Disc Association.



is a trademark of DVD Format/Logo Licensing Corporation.

# Safety instructions

To ensure your personal safety and to maximize the full operating potential of your unit, read and follow these safety instructions.

**Read & Retain Instructions** – Read all operating and user information provided with this drive.

**Cleaning** – Use a damp cloth to clean the exterior housing. Avoid using any fluids including liquid, aerosol or alcohol-based cleaning products.

**Water or Moisture** – Avoid operating or locating this drive near water or other sources of fluid.

**Accessories** – Do not place this product on an unstable cart, stand, or table. The product may fall and be seriously damaged.

**Ventilation** – Slots and openings in the chassis are for cooling and proper operation of the unit. Do NOT block or cover the openings. Do NOT place this unit on a bed, rug, etc. as this can block the openings. This unit should not be placed in a built-in installation unless properly ventilated.

**Operation** – Avoid moving, lifting or reorienting this drive while a disc is rotating inside.

**Environment** – Avoid installing this drive in a location with exposure to large quantities of dust, high temperatures, high humidity, or subject to excessive vibrations or shocks.

**Power Sources** – Operate this drive only from the recommended power sources. If you are unsure of the power source, consult an authorized Pioneer representative.

**Power-Cord Protection** – When unplugging the unit, pull on the plug – not on the cord. Do not handle the cord or plug with wet hands; doing so could cause an electric short or shock. Do not allow anything to pinch or rest on the power cord and do not place in a walkway.

**Object & Liquid Entry** – Never push inappropriate objects into the device. Avoid spilling any liquids into or on the outside of the drive.

**Condensation** – Moisture can form in the operating section of the product if the drive is taken from cool surroundings to a room with a warmer temperature. Let the drive stand for one to two hours in the new location before turning it ON.

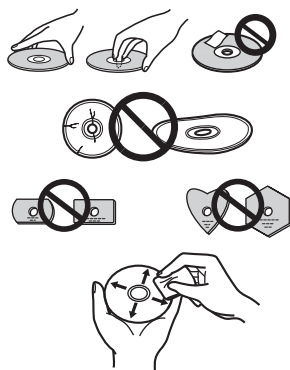
**Servicing** – Opening or removing the cover exposes you to possible electrical shock or other danger. Contact a Pioneer authorized service representative for repairing this drive (refer to the enclosed Service & Support Card).

**Damage Requiring Service** – Unplug the unit and refer servicing to qualified service personnel in the following situations:

- When the power cord, plug, or chassis is damaged.
- If liquid has been spilled.
- If the product has been exposed to rain or water.
- If the product does not operate normally when the operating instructions are followed. Adjust only those controls that are covered by the operating instructions. Improper adjustment of other controls may result in damage and can require extensive work by a qualified technician to restore the unit to its normal operation.
- When the product exhibits a distinct change in performance – this indicates a need for service.

**About DualDisc Playback** – DualDisc is a two-sided disc with one side containing DVD video/audio/etc. content and the opposite side containing non-DVD content such as digital audio material. The non-DVD audio side is not compliant with the CD Audio Specification; therefore, may not play. The DVD side of DualDisc media plays in this unit. For more details about the DualDisc specification, please refer to the disc manufacturer or your retailer.

- Avoid touching or scratching the signal surface (shiny side) of the disc.
- Hold the disc by the edges or by the center hole and one edge.
- Do not affix paper or labels to the disc.
- Discard warped or cracked discs as they may cause damage to the drive.
- Avoid specially shaped discs such as hearts or polygons.
- Remove dust or lint from the disc with a soft cloth by wiping from the inside to the outside edge rather than in a circular motion.
- Do not use record-cleaning or anti-static agents as the solutions may cause damage to a disc.



**Always be sure to store your discs in proper disc storage cases when not in use, and always be sure to check for dirt or dust on discs (especially on the signal surface) before use.**



#### Note

Some discs may not be playable due to different recording formats or the physical condition of the disc at the time of recording or playback.

# Features

## Maximum Write Speed\*

BD-R	6X
BD-R DL	6X
BD-R TL	4X
BD-R QL	4X
BD-R (LTH)	6X
BD-RE	2X
BD-RE DL	2X
BD-RE TL	2X
M-DISC BD-R SL/TL	4X
M-DISC BD-R DL	6X

DVD-R	8X
DVD-R DL	6X
DVD-RW	6X
DVD+R	8X
DVD+R DL	6X
DVD+RW	8X
DVD-RAM	5X
M-DISC(DVD)	4X

CD-R	24X
CD-RW	24X

## Maximum Read Speed\*

BD-ROM SL/DL	6X
BD-R	6X
BD-R DL	6X
BD-R TL/QL	4X
BD-R (LTH)	6X
BD-RE	6X
BD-RE DL	6X
BD-RE TL	4X
M-DISC BD-R SL/DL	6X
M-DISC BD-R TL	4X

DVD-ROM	8X
DVD-ROM DL	8X
DVD-R	8X
DVD-R DL	8X
DVD-RW	8X
DVD+R	8X
DVD+R DL	8X
DVD+RW	8X
DVD-RAM	5X
M-DISC(DVD)	8X

CD-ROM, CD-R, CD-RW	24X
---------------------	-----

\* When using a USB 2.0 port, BD writing/reading speed doesn't achieve 6X.

## Buffer Memory Size Interface

**4 MBytes (Read/Write)  
USB 3.0 & 2.0**

### Disc Format

- BD-ROM (Single/Dual layer)
- BD-R (Single/Dual/Triple/Quadruple layer)
- BD-RE (Single/Dual/Triple layer)
- M-DISC BD-R (Single/Dual/Triple layer)
- DVD-ROM (Single/Dual layer)
- DVD-Video (Single/Dual layer)
- DVD-R
- DVD-RW
- DVD+R
- DVD+RW
- DVD-RAM (Non-cartridge), ver2.0&2.1&2.2
- M-DISC (DVD)

- CD-ROM Mode 1&2
- CD-ROM XA Mode 2 (form 1, form 2)
- KODAK Photo CD (Single and Multi-session)
- CD-Extra (CD PLUS)
- CD text
- CD-R
- CD-RW (MS/HS/US/US+)
- CD-DA
- Video CD

**RAM2** media is supported only reading.



### Note

- A specific application software is necessary to write the formats listed above.
- Supported media required for specific BD, DVD and CD writing speeds.
- Average writing speed may decrease when multiple discs are written during the same session.
- The Pioneer's Drive Utility is needed to configure the Quiet Drive and PureRead features.  
<https://pioneer.jp/support/download/index-e.html>

# Interface

## Front/Top view

### 1 Power/Busy Indicator

Operation status is indicated as follows:

During Power ON: Lights dimly

During reading/writing: Lights

During disc cover open/close: Lights dimly

### 2 OPEN Button

Press to open the disc cover.

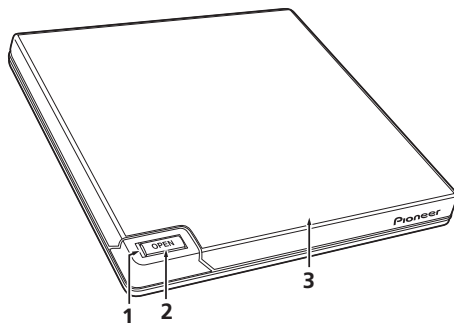
\* If this device is connected to Mac, you will not be able to use this function due to the specifications of macOS.

### 3 Disc Cover

Press the OPEN button to open the disc cover then place only a BD, DVD or CD disc onto the tray with the label facing up. Close the disc cover gently.

Do not manually force open the disc cover.

Use the Forced Open Lever to open the disc cover during POWER OFF.



## Rear/Bottom view

### 4 USB 3.0

USB 3.0 Micro-B Connector

### 5 DC IN

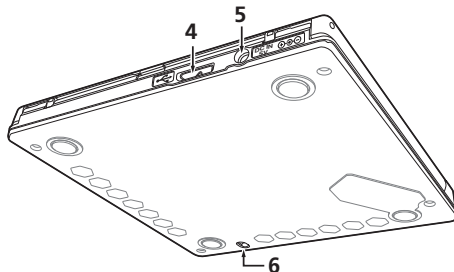
AC Adapter Connector

Some computers may not provide enough power through a USB port to operate the drive. An AC adapter (not included) can be connected to the drive through the DC IN connector to provide power. For more details, visit or contact <https://www.pioneerelectronics.com/PUSA/> Phone: 1-800-421-1404

**Do not connect any AC adapter other than specified by Pioneer.**

### 6 Forced Open Lever

Use to open the disc cover when the drive is not powered. If the disc cover fails to open when the Open button is pressed, turn the power to the drive OFF and wait approximately one minute until the disc stops spinning before trying to open the disc cover. During normal operation, the Open button should be used to open the disc cover.





## Caution

About Region codes

- The region code can **only** be changed **five (5) times**, including the initial setting. Please be aware that the fifth change becomes PERMANENT. Therefore, avoid changing the region code unless absolutely necessary.
- Region codes are part of the DVD Standard. However, region codes on DVD discs are optional. DVD discs with no specified region code can be played on all compliant players and/or application.

# Connection

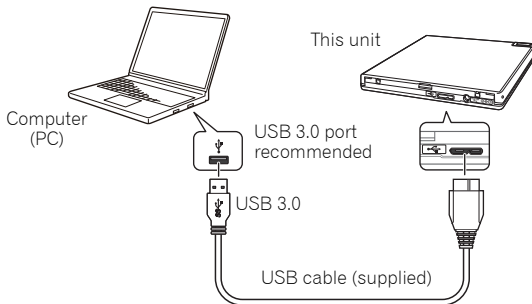
This is a hot-plug unit. Connect the unit to the supplied USB cable.

- 1 **Confirm that your computer (PC) has available USB port.**
- 2 **With your Windows® or Mac operating system running, use the supplied USB cable to connect this unit to the PC.**



## Caution

- Do not disconnect the USB cable during data transfers.
- Do not disconnect the USB cable during the PC start nor any operation with the unit.



## Note

- Connection to a USB 3.0 port is recommended, since when a USB 3.0 cable is connected to a USB 2.0 port, the connection will be limited to USB 2.0 performance standards.
- This unit can operate with USB 1.1 but will not provide optimum performance.
- Connecting this unit through a USB HUB or using unspecified cables may not guarantee proper operation.
- If power is insufficient when using a USB port, connect an AC adapter (not included) through the DC IN connector on the unit's rear panel and plug into a wall outlet to deliver power. Connect the USB cable (included) after connecting the AC adapter for proper operation. For more details about the AC adapter connection, visit or contact <https://www.pioneerelectronics.com/PUSA/>  
Phone: 1-800-421-1404
- **Do not connect any AC adapter other than specified by Pioneer.**
- This unit is for use only with compatible UL Listed personal computers that have Installation Instructions detailing user installation of USB accessories.
- UL Listed, Class 2 AC Adapter (Output 5 V, min. 1.0 A) shall be used.

# Operations

The unit writes to the disc when used with a software application installed on your PC. Writing fails if the PC or operating system does not support the software.

## Begin writing to disc

- 1 **Connect the supplied USB cable.**
- 2 **Turn on the PC.**
- 3 **Press the OPEN button, and gently lift the disc cover by hand.**  
\* If this device is connected to Mac, you will not be able to use this function due to the specifications of macOS.
- 4 **Place the disc in the tray with the label facing up.**
- 5 **Close the disc cover gently.**
- 6 **Start the disc burning application.**

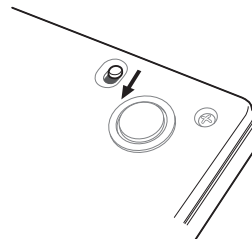
## End the writing session

- 1 **Quit the disc burning application.**
  - 2 **Press the OPEN button, and gently lift the disc cover by hand.**  
\* If this device is connected to Mac, you will not be able to use this function due to the specifications of macOS.
  - 3 **Remove the disc.**
  - 4 **Close the disc cover gently.**
  - 5 **Shut down the PC.**
- When the lock mechanism is released, the disc cover needs to be fully opened in order to close again.

## Manual disc cover open

Use the Forced Open Lever to remove discs if the disc cover fails to open and all other methods have been exhausted.

- 1 **Shut down the PC.**
- 2 **Wait for the disc to stop spinning.**
- 3 **Slide the Forced Open Lever to open the disc cover.**
- 4 **Gently open the disc cover and remove the disc.**



### Warning

To prevent injury and damage to the unit, do NOT force the disc cover to open while the disc is spinning.

# Specifications

**Orientation** ..... This drive is horizontal use.

**Disc Size** ..... 4.72 inch/3.15 inch (12 cm/8 cm)  
(Drive does not support non-standard shapes such as business cards, diamond, etc.)  
(Drive does not support 8 cm adapter.)

**Data Transfer Rate\*** Media that is dirty or damaged can affect the transfer rate.

Data Read (sustained)	BD .....	Max. 21.06 MBytes/sec.
	DVD .....	Max. 8.64 MBytes/sec.
	CD .....	Max. 3.24 MBytes/sec.
Data Write (sustained)	BD .....	Max. 21.06 MBytes/sec. (6X BD-R)
	DVD .....	Max. 8.64 MBytes/sec. (8X DVD-R)
	CD .....	Max. 3.24 MBytes/sec. (24X CD-R)

**Access Time/Seek Time** (Random Averages)

Access Time	BD-ROM .....	.210 ms
	DVD-ROM .....	.200 ms
	CD-ROM .....	.190 ms
Seek Time	BD-ROM .....	.190 ms
	DVD-ROM .....	.180 ms
	CD-ROM .....	.170 ms

## Power

Standby. .... 0.5 W

## DC IN Connector

Power Supply ..... DC +5 V, 1.0 A (AVE)

## Physical Information

Dimensions (excluding foot pad) ..... 5.19 inch (W) x 5.19 inch (D) x 0.58 inch (H)/  
133 mm (W) x 133 mm (D) x 14.8 mm (H)

Weight (Drive only) ..... .051 lbs/0.23 kg (Typ.)

Operation Temperature ..... +41 °F to +95 °F (+5 °C to +35 °C)

Operation Humidity ..... 5 % to 85 % (no condensation)

Storage Temperature ..... -40 °F to +140 °F (-40 °C to +60 °C)

Storage Humidity ..... 5 % to 90 % (no condensation)

## Accessories

Instruction manual (This document) ..... 1

USB Cable (TypeA) ..... 1

Warranty card ..... 1



## Note

Specifications and designs are subject to possible modifications without notice, due to improvements.

© 2020 PIONEER CORPORATION.  
All rights reserved.



Nous vous remercions pour cet achat de ce produit Pioneer. Avant d'utiliser ce lecteur, veuillez lire et comprendre toutes les mises en garde, avis et avertissements, ainsi que tous les renseignements importants sur la sécurité qui apparaissent dans ce manuel d'utilisation. De plus, lisez tout le manuel avant d'utiliser ce produit, car il contient des renseignements importants, tels que les données de réglementation, les licences d'utilisation des logiciels, l'enregistrement des produits, le service et le fonctionnement.

## AVERTISSEMENT

**Cet appareil n'est pas étanche. Pour éviter les risques d'incendie et de décharge électrique, ne placez près de lui un récipient rempli d'eau, tel qu'un vase ou un pot de fleurs, et ne l'exposez pas à des gouttes d'eau, des éclaboussures, de la pluie ou de l'humidité.**

D3-4-2-1-3\_A\_Fr

## Précautions relatives à l'utilisation

- Pioneer n'est responsable d'aucune perte de donnée ni d'aucun autre dommage direct ou indirect que ce soit découlant de l'utilisation ou de la défaillance de ce produit. Il est fortement recommandé que vous fassiez régulièrement des copies de secours de vos données importantes.
- Assurez-vous de ne contrevenir à aucune restriction de droit d'auteur imposée par les lois de tout pays que ce soit. Si ce dispositif est utilisé pour enregistrer du matériel protégé par des droits d'auteur, vous devez d'abord obtenir l'approbation des titulaires respectifs de tels droits. L'enregistrement du matériel protégé par des droits d'auteur sans l'approbation expresse préalable des titulaires respectifs de tels droits peut entraîner des sanctions judiciaires. Pioneer rejette toute responsabilité en cas de dommages légaux découlant de l'utilisation de ce dispositif pour faire des copies non autorisées de tout matériel protégé par des droits d'auteur que ce soit.
- Tous les noms de corporations, de produits et de systèmes indiqués dans les présentes, même lorsque les symboles (™) ou (®) sont omis, doivent être considérés comme des propriétés commerciales de leur titulaire respectif.

## IMPORTANT



Ce symbole de l'éclair, placé dans un triangle équilatéral, a pour but d'attirer l'attention de l'utilisateur sur la présence, à l'intérieur du coffret de l'appareil, de "tensions dangereuses" non isolées d'une grandeur suffisante pour représenter un risque d'électrocution pour les êtres humains.

### ATTENTION

**DANGER D'ÉLECTROCUTION  
NE PAS OUVRIR**

**ATTENTION :**  
POUR ÉVITER TOUT RISQUE D'ÉLECTROCUTION, NE PAS ENLEVER LE COUVERCLE (NI LE PANNEAU ARRIÈRE). AUCUNE PIÈCE RÉPARABLE PAR L'UTILISATEUR NE SE TROUVE À L'INTÉRIEUR. CONFIER TOUT ENTRETIEN À UN PERSONNEL QUALIFIÉ UNIQUEMENT.



Ce point d'exclamation, placé dans un triangle équilatéral, a pour but d'attirer l'attention de l'utilisateur sur la présence, dans les documents qui accompagnent l'appareil, d'explications importantes du point de vue de l'exploitation ou de l'entretien.

D3-4-2-1-1\_A1\_Fr

## ATTENTION

Cet appareil est un produit laser de Classe 1, mais la diode laser qu'il renferme est supérieure à la Classe 1. Pour garantir une sécurité constante, ne retirez aucun des couvercles et n'essayez pas d'avoir accès à l'intérieur de l'appareil.

Confiez toute réparation à un personnel qualifié.

L'étiquette suivante se trouve sur votre appareil.

Emplacement : fond de l'appareil

**APPAREIL À LASER  
DE CLASSE 1**

**CAUTION** CLASS 3B VISIBLE AND INVISIBLE LASER RADIATION WHEN OPEN. AVOID EXPOSURE TO THE BEAM.

**ATTENTION** RADIATIONS LASER VISIBLES ET INVISIBLES DE CLASSE 3B QUAND OUVERT. ÉVITEZ TOUT EXPOSITION AU FAISCEAU.

**ADVARSEL** KLASSE 3B SYNLIG OG USYNLIG LASERSTRÅLING VED ÅBNING. UNDGA UDSÆTTELSE FOR STRÅLING.

**VARO!** AVATTAESSA OLET ALTIHINA NÄKYVÄLLE JA NÄKYMÄTTÖMÄLLE LUOKAN 3B LASERSÄTEILYLLE. ÄLÄ KATSO SÄTEESEEN.

**VARNING** KLASS 3B SYNLIG OCH OSYNLIG LASERSTRÅLNING NÄR DENNA DEL ÄR ÖPPNAD. UNDIK ATT UTSÄTTA DIG FÖR STRÅLEN.

**VORSICHT** BEI GEÖFFNETER ABDECKUNG IST SICHTBARE UND UNSICHTBARE LASERSTRABHLUNG DER KLASSE 3B IM GERÄTEINNEREN VORHANDEN. NICHT DEM LASERSTRAHL AUSSETZEN!

**PRECAUCIÓN** CUANDO SE ABRE HAY RADIACIÓN LÁSER DE CLASE 3B VISIBLE E INVISIBLE. EVITE LA EXPOSICIÓN A LOS RAYOS LÁSER.

**注意** ここを開くとクラス3Bの可視レーザー放射及び不可視レーザー放射が出ます。ビームの目又は皮膚への被ばくは危険！見たり触れたりしないこと。

D3-4-2-1-8\* \_C\_Fr

Pour un ÉQUIPEMENT ENFICHABLE, la prise de courant sera installée près de l'équipement et elle sera facilement accessible.

**Avis important** – Inscrivez le numéro de modèle et le numéro de série de l'unité ci-dessous.

Les numéros se trouvent sur le fond.

N° de modèle : BDR-XD07S

N° de série : \_\_\_\_\_

Conservez ces numéros à titre de référence ultérieure.

## Milieu de fonctionnement

Température et humidité du milieu de fonctionnement :

De +5 °C à +35 °C (de +41 °F à +95 °F) ; Humidité relative inférieure à 85 % (orifices de ventilation non obstrués)

N'installez pas l'appareil dans un endroit mal ventilé ou un lieu soumis à une forte humidité ou en plein soleil (ou à une forte lumière artificielle).

D3-4-2-1-7c\* \_A1\_Fr

Réglementation 3 d'information sur bruits de machine, GPSGV: Le niveau de pression sonore maximum est de 70 dB(A) ou moins, conformément à EN ISO 7779.

Cet appareil est classé selon la norme de Sécurité des produits laser IEC 60825-1:2014.



est une marque commerciale de Blu-ray Disc Association.



est une marque de commerce de DVD Format/Logo Licensing Corporation.

# Instructions de sécurité

Pour garantir votre sécurité personnelle et obtenir le maximum de votre lecteur, lire et suivre ces consignes de sécurité.

**ENVIRONNEMENT** – Ne pas utiliser cet appareil dans des endroits avec beaucoup de poussière, une température ou une humidité élevée. Utiliser l'appareil à un endroit où il n'est pas soumis à des vibrations ou des chocs.

**LIRE LES INSTRUCTIONS** – Lire toutes les instructions de sécurité et d'utilisation avant d'actionner le lecteur.

**CONSERVER LES INSTRUCTIONS** – Garder les instructions de sécurité et d'utilisation pour une future référence.

**SUIVRE LES INSTRUCTIONS** – Suivre toutes les instructions de fonctionnement et d'utilisation.

**FONCTIONNEMENT** – Évitez de déplacer, de soulever ou de changer l'orientation de ce lecteur pendant qu'un disque tourne à l'intérieur.

**ATTENTION AUX AVERTISSEMENTS** – Observer tous les avertissements.

**NETTOYAGE** – NE PAS utiliser de liquides, de détachants en aérosol ou de l'alcool. N'utiliser qu'un chiffon humide pour nettoyer les surfaces extérieures du boîtier.

**EAU ET HUMIDITE** – NE PAS utiliser ce produit à proximité d'eau.

**SOURCES D'ALIMENTATION** – Utiliser ce produit à avec le type d'alimentation indiqué sur l'étiquette de fabrication. En cas de doute à propos du type d'alimentation disponible, consulter un revendeur Pioneer agréé.

**PENETRATION D'OBJETS ET DE LIQUIDES** – No jamais enfoncer d'objet d'aucune sorte dans ce produit. Le contact avec des points de tension dangereux peut provoquer un court-circuit, entraînant un incendie ou une secousse électrique. Ne pas verser de liquide d'aucune sorte sur ce produit.

**CONDENSATION** – De l'humidité se forme sur la section de fonctionnement du produit entraînant une baisse de performances s'il est amené d'un endroit frais vers un environnement plus chaud. En cas de déplacement de l'appareil vers un endroit ayant une température plus chaude, laisser le produit perdant 1 à 2 heures dans le nouvel endroit avant de le remettre sous tension.

**ENTRETIEN** – Ne pas essayer de réparer soi-même ce produit. L'ouverture ou le retrait des capots peut vous exposer à une tension dangereuse ou d'autres dangers. Pour tout entretien, demander à un personnel d'entretien qualifié. (Se reporter à la carte d'entretien et de support jointe.)

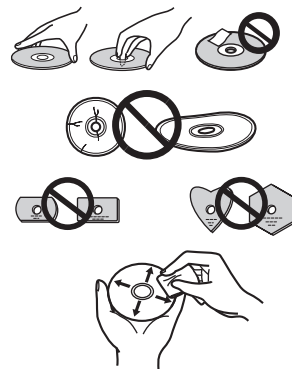
**PROBLÈMES NÉCESSITANT UNE INTERVENTION** – Débranchez l'appareil et confiez le service à un personnel d'entretien qualifié dans les cas suivants:

- Si le cordon d'alimentation, la fiche et/ou le châssis est endommagé.
- Si du liquide a été renversé.
- Si l'appareil a été mouillé par de l'eau ou de la pluie.
- Si l'appareil ne fonctionne pas normalement alors que les instructions du mode d'emploi ont été respectées. Agissez uniquement sur les commandes tel qu'expliqué dans le mode d'emploi. Des réglages inappropriés d'autres commandes peuvent provoquer des dégâts et entraîner des travaux coûteux par un technicien qualifié pour rendre à l'appareil son fonctionnement normal.
- Si l'appareil présente un changement notable de ses performances, c'est le signe que l'intervention d'un technicien est nécessaire.

**AU SUJET DE LA LECTURE DES DISQUES À DOUBLE COUCHE** – Un 'DualDisc' est un disque à deux faces dont l'une contient les données DVD/vidéo/audio, etc. L'une de ces faces comprend le contenu DVD – vidéo, audio, etc. – et l'autre, le contenu non-DVD tel que le matériel audio numérique. La face audio non-DVD de ces disques n'est pas conforme aux spécifications CD audio, ce qui pourrait empêcher sa lecture. La face DVD des disques à double couche peut être jouée sur ce produit. Pour plus de détails sur la spécification des disques à double couche, veuillez communiquer avec le fabricant du disque ou votre détaillant.

- Evitez de toucher ou de griffer la surface du disque sur laquelle sont enregistrés les signaux (surface brillante).
- Saisissez le disque par les bords ou par le trou central et un bord.
- Ne collez pas de papier ou d'étiquette sur le disque.
- Jetez les disques fissurés ou voilés, car ils peuvent endommager le lecteur.
- Evitez les disques de forme spéciale, notamment ceux en forme de coeur ou de polygone.
- Eliminez la poussière ou les peluches du disque à l'aide d'un linge doux en frottant de l'intérieur vers l'extérieur et non en effectuant un mouvement circulaire.
- N'utilisez jamais de produit de nettoyage pour disque ou d'agent antistatique, car ces solutions peuvent endommager le disque.

**Rangez toujours vos disques dans des boîtes de rangement adéquates lorsque vous ne les utilisez pas et vérifiez toujours qu'ils ne sont pas sales ou poussiéreux (surtout sur la surface enregistrable) avant de les utiliser.**



### Remarque

Il se peut que quelques disques ne jouent pas à cause des différents formats d'enregistrement ou de l'état physique du disque à l'heure de l'enregistrement ou de lecture.

# Caractéristiques

## Vitesse d'écriture maximale\*

BD-R	6X
BD-R DL	6X
BD-R TL	4X
BD-R QL	4X
BD-R (LTH)	6X
BD-RE	2X
BD-RE DL	2X
BD-RE TL	2X
M-DISC BD-R SL/TL	4X
M-DISC BD-R DL	6X

DVD-R	8X
DVD-R DL	6X
DVD-RW	6X
DVD+R	8X
DVD+R DL	6X
DVD+RW	8X
DVD-RAM	5X
M-DISC(DVD)	4X

CD-R	24X
CD-RW	24X

## Vitesse de lecture maximale\*

BD-ROM SL/DL	6X
BD-R	6X
BD-R DL	6X
BD-R TL/QL	4X
BD-R (LTH)	6X
BD-RE	6X
BD-RE DL	6X
BD-RE TL	4X
M-DISC BD-R SL/DL	6X
M-DISC BD-R TL	4X

DVD-ROM	8X
DVD-ROM DL	8X
DVD-R	8X
DVD-R DL	8X
DVD-RW	8X
DVD+R	8X
DVD+R DL	8X
DVD+RW	8X
DVD-RAM	5X
M-DISC(DVD)	8X

CD-ROM, CD-R, CD-RW	24X
---------------------	-----

\* Si vous utilisez un port USB 2.0, la vitesse d'écriture/lecture du BD n'atteindra pas 6X.

## Taille de la mémoire tampon Interface

## 4 Mo (Lecture/Écriture) USB 3.0 & 2.0

### Format Du Disque

- BD-ROM (simple/double couche)
- BD-R (simple/double/triple/quadruple couche)
- BD-RE (simple/double/triple couche)
- M-DISC BD-R (simple/double/triple couche)

- DVD-ROM (simple/double couche)
- DVD-Video (simple/double couche)
- DVD-R
- DVD-RW
- DVD+R
- DVD+RW
- DVD-RAM (Non-cartridge), ver2.0&2.1&2.2
- M-DISC (DVD)

- Mode CD-ROM 1 & 2
- CD-ROM XA Mode 2 (form 1, form 2)
- KODAK Photo CD (Single et Multi-session)
- CD-Extra (CD PLUS)
- CD text
- CD-R
- CD-RW (MS/HS/US/US+)
- CD-DA
- Video CD

Le média **RAM2** est pris en compte uniquement à la lecture.



## Remarque

- Un logiciel d'application spécifique est nécessaire pour écrire les formats mentionnés ci-dessus.
- Médias supportent requis pour la vitesse écriture BD, DVD et CD spécifiques.
- Il se peut que la vitesse moyenne de lecture diminue lorsque plusieurs disques sont transcrites pendant la même session.
- L'utilitaire de configuration des lecteurs graveurs Pioneer est nécessaire pour pouvoir configurer les fonctionnalités Quiet Drive et PureRead.  
<https://pioneer.jp/support/download/index-e.html>

# Interface

## Vue de partie avant/dessus

### 1 Voyant Power/Busy (Alimentation/Occupé)

L'état de fonctionnement est indiqué comme suit:

Pendant l'alimentation: S'allume faiblement

Pendant la lecture/Pendant l'écriture: S'allume

Pendant l'ouverture du tiroir/fermer: S'allume faiblement

### 2 Touche OPEN (Ouverture)

Appuyez pour ouvrir le couvercle du disque.

\* Si cet appareil est connecté à un système Mac, vous ne pouvez pas utiliser cette fonction en raison des spécifications du système d'exploitation macOS.

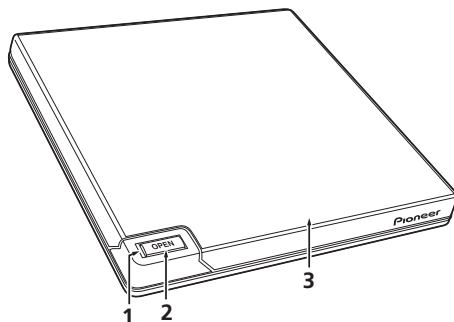
### 3 Tiroir de chargement

Appuyez sur la touche OPEN pour ouvrir le

couvercle du disque, puis placez uniquement un disque BD, DVD ou CD sur le plateau en orientant son étiquette vers le haut. Refermez doucement le couvercle du disque.

Ne forcez pas l'ouverture du couvercle du disque.

Utilisez le levier d'ouverture forcée pour ouvrir le couvercle du disque lorsque l'appareil est hors tension.



## Vue de partie arrière/dessous

### 4 USB 3.0

Connecteur USB 3.0 Micro-B

### 5 DC IN

Connecteur d'adaptateur secteur

Certains ordinateurs ne fournissent pas un courant suffisant par un port USB pour alimenter le lecteur. Un adaptateur secteur (non fourni) peut être raccordé au lecteur via le connecteur DC IN pour fournir le courant requis.

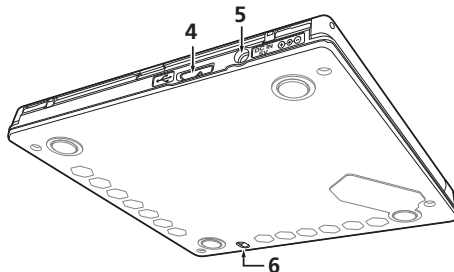
Pour plus de détails, consultez le site :

<https://www.pioneerelectronics.com/PUSA/>

ou contactez-nous par téléphone :

Tél: 1-800-421-1404

**Ne branchez aucun adaptateur secteur autre que celui qui est spécifié par Pioneer.**



## 6 Levier d'ouverture forcée

Utilisez ce levier pour ouvrir le couvercle du disque quand le lecteur n'est pas alimenté. Si le couvercle ne s'ouvre pas par une pression sur la touche OPEN, coupez l'alimentation du lecteur et attendez pendant une minute environ que la rotation du disque se soit arrêtée avant d'essayer d'ouvrir le couvercle du disque. Pendant un fonctionnement normal, servez-vous de la touche OPEN pour ouvrir le couvercle du disque.



### Attention

A Propos Des Codes Regionaux

- Le code régional peut être modifié **5 fois SEULEMENT** (premier réglage compris). Comme la cinquième modification sera DEFINITIVE, soyez particulièrement prudent lorsque vous décidez de modifier les codes régionaux.
- Les codes régionaux sont couverts par la norme DVD. Toutefois, les codes régionaux des disques DVD sont facultatifs. Les disques DVD qui ne possèdent pas de code régional peuvent être reproduits sur tous les lecteurs et/ou applications.

# Connexion

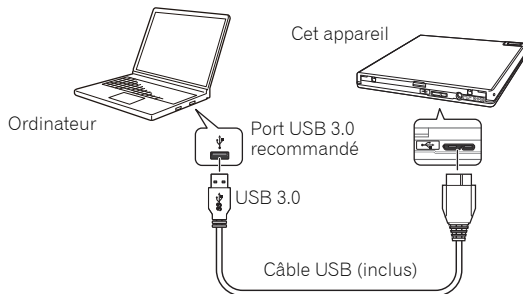
Cet appareil utilise une connexion à chaud. Branchez-le au câble USB fourni.

- 1 **Confirmez que votre ordinateur (PC) dispose d'un port USB utilisable.**
- 2 **Tandis que votre système d'exploitation Windows® ou Mac est en marche, utilisez le câble USB fourni pour raccorder cet appareil au PC.**



## Attention

- Ne pas débrancher le câble USB pendant le transfert des données.
- Ne pas débrancher le câble USB pendant le démarrage du PC ni pendant toute opération avec l'appareil.



## Remarque

- Le branchement sur un port USB 3.0 est recommandé car si un câble USB 3.0 est branché sur un port USB 2.0, la connexion sera limitée aux normes des performances USB 2.0.
- Cette unité peut fonctionner avec une borne USB 1.1, mais son rendement ne sera pas conforme aux spécifications optimales spécifiées.
- Un fonctionnement adéquat n'est pas garanti lors d'un branchement de cet appareil via un port USB HUB ou de l'emploi de câbles non spécifiés.
- Si l'alimentation reste insuffisante malgré l'emploi d'un port USB, raccordez un adaptateur secteur (non fourni) via le connecteur DC IN, prévu sur le panneau arrière de l'appareil, et branchez-le sur une prise secteur pour fournir le courant. Pour un fonctionnement correct, connectez le câble USB (fourni) après avoir branché l'adaptateur secteur.  
Pour plus de détails au sujet du branchement de l'adaptateur secteur, consultez le site <https://www.pioneerelectronics.com/PUSA/> ou contactez-nous par téléphone : Tél : 1-800-421-1404
- **Ne branchez aucun adaptateur secteur autre que celui qui est spécifié par Pioneer.**
- Cet appareil est utilisable seulement avec des ordinateurs personnels portant la marque UL Listed, dont le mode d'emploi détaille l'installation par l'utilisateur des accessoires USB.
- Un adaptateur secteur de Classe 2, portant la marque "UL Listed" (Sortie 5 V, min. 1,0 A) sera utilisé.

# Opérations

L'appareil écrit sur le disque lorsqu'il est utilisé avec une application logicielle installée sur votre PC. La gravure sera impossible si votre ordinateur ou votre système d'exploitation est incompatible avec le logiciel.

---

## Pour commencer la gravure sur un disque

- 1 **Branchez le câble USB fourni.**
- 2 **Allumez votre ordinateur.**
- 3 **Appuyez sur la touche OPEN et, de la main, soulevez doucement le couvercle du disque.**  
\* Si cet appareil est connecté à un système Mac, vous ne pourrez pas utiliser cette fonction en raison des spécifications du système d'exploitation macOS.
- 4 **Placez un disque dans le plateau, étiquette vers le haut.**
- 5 **Refermez délicatement le couvercle du disque.**
- 6 **Démarrez l'application de gravure de disque.**

---

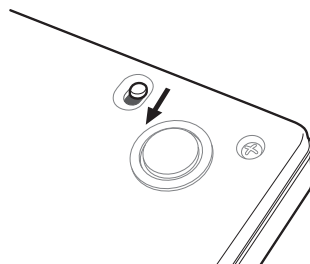
## Pour terminer la session de gravure

- 1 **Sortez de l'application de gravure de disque.**
  - 2 **Appuyez sur la touche OPEN et, de la main, soulevez doucement le couvercle du disque.**  
\* Si cet appareil est connecté à un système Mac, vous ne pourrez pas utiliser cette fonction en raison des spécifications du système d'exploitation macOS.
  - 3 **Retirez le disque.**
  - 4 **Refermez délicatement le couvercle du disque.**
  - 5 **Éteignez votre ordinateur.**
- Lorsque le mécanisme de verrouillage est désactivé, le couvercle du disque doit être complètement ouvert avant de pouvoir le refermer.

## Ouverture manuelle du couvercle du disque

Utilisez le levier d'ouverture forcée pour retirer les disques si le couvercle ne s'ouvre pas et que toutes les autres méthodes ont échoué.

- 1 **Éteignez votre ordinateur.**
- 2 **Attendez que le disque cesse de tourner.**
- 3 **Glissez le Levier d'ouverture forcée pour ouvrir le couvercle du disque.**
- 4 **Ouvrez délicatement le couvercle du disque et retirez le disque.**



### **Avertissement**

Pour éviter de vous blesser et d'endommager l'appareil, ne forcez PAS l'ouverture du couvercle du disque pendant que celui-ci tourne.

# Specifications

**Orientation** ..... Ce lecteur peut être utilisé en position horizontale.

**Taille du Disque** ..... 12 cm/8 cm  
(Le lecteur n'accepte pas des formes non standards, telles que cartes de visite, en losange, etc.)  
(Le lecteur n'accepte pas un adaptateur 8 cm.)

**Taux de transfert de données** \* La vitesse de transfert des données peut varier en fonction de l'état du disque (rayures, etc.)

Lecture de données (soutenu)	BD .....	Max. 21,06 Mo/s
	DVD .....	Max. 8,64 Mo/s
	CD .....	Max. 3,24 Mo/s
Écriture de données (soutenu)	BD .....	Max. 21,06 Mo/s (Écriture 6X sur BD-R)
	DVD .....	Max. 8,64 Mo/s (Écriture 8X sur DVD-R)
	CD .....	Max. 3,24 Mo/s (Écriture 24X sur CD-R)

**Temps d'accès é temps de recherche** (Moyenne aléatoire)

Temps d'accès	BD-ROM .....	.210 ms
	DVD-ROM .....	.200 ms
	CD-ROM .....	.190 ms
Temps de recherche	BD-ROM .....	.190 ms
	DVD-ROM .....	.180 ms
	CD-ROM .....	.170 ms

## Alimentation

Veille ..... 0,5 W

## Connecteur DC IN

Alimentation ..... Courant continu +5 V, 1,0 A (Moyenne)

## Données physiques

Dimensions (talon non compris) .....	133 mm (L) x 133 mm (P) x 14,8 mm (H)
Poids (Lecteur seulement) .....	.023 kg (Typ.)
Température de fonctionnement .....	+ 5 °C à + 35 °C
Humidité de fonctionnement .....	5 % à 85 % (sans condensation)
Température de remisage .....	- 40 °C à + 60 °C
Humidité de remisage .....	5 % à 90 % (sans condensation)

## Accessoires

Mode d'emploi (ce document) .....	
Câble USB (TypeA) .....	1
Carte de garantie .....	1



## Remarque

Les caractéristiques techniques et présentation de ce produit sont sujets à des changements sans préavis pour améliorations.

© 2020 PIONEER CORPORATION.

Tous droits de reproduction et de traduction réservés.



Enhorabuena por la adquisición de este producto Pioneer. Antes de utilizar la unidad, lea todas las advertencias, precauciones, avisos y demás información importante sobre la seguridad incluidos en este Manual de instrucciones. Lea todo el manual antes de utilizar esta unidad porque contiene información importante, como puedan ser los datos de regulación, contrato(s) de licencia del software, detalles del registro del producto, instrucciones para el servicio técnico y guías.

### **ADVERTENCIA**

**Este aparato no es impermeable. Para evitar el riesgo de incendio y de descargas eléctricas, no ponga ningún recipiente lleno de líquido (como pueda ser un vaso o un florero) cerca del aparato ni lo exponga a goteo, salpicaduras, lluvia o humedad.**

D3-4-2-1-3\_A1\_Es

### **Precauciones relacionadas con la utilización**

- Pioneer no se hace responsable por la pérdida de datos ni por ningún otro daño directo o indirecto sufrido como resultado del empleo o avería de este producto. Se recomienda contundentemente hacer copias de seguridad de todos los datos importantes.
- Deberá tener cuidado para no infringir las restricciones de los derechos de autor según las leyes de cada país. Si se emplea este dispositivo para grabar materiales con derechos de autor, deberá obtenerse de antemano la aprobación de los propietarios de los derechos de autor respectivos. La grabación de materiales con derechos de autor sin la aprobación expresa de los propietarios de los derechos de autor puede dar como resultado en penalizaciones legales. Pioneer no se hace responsable de ningún daño legal debido al empleo de este dispositivo para la copia no autorizada de materiales con derechos de autor.
- Todos los nombres de empresas, productos, y sistemas aquí mencionados, incluso cuando se omiten los símbolos (™) o (®), se consideran como marcas comerciales registradas de sus propietarios respectivos.

## **IMPORTANTE**



La luz intermitente con el símbolo de punta de flecha dentro un triángulo equilátero. Está convenido para avisar el usuario de la presencia de "voltaje peligrosa" no aislada dentro el producto que podría constituir un peligro de choque eléctrico para las personas.

### **CAUTION**

**RISK OF ELECTRIC SHOCK  
DO NOT OPEN**

### **PRECAUCIÓN**

**PARA PREVENIR EL PELIGRO DE CHOQUE ELÉCTRICO NO REMOVER LA TAPA NI LAS PARTES DENTRO NO UTILIZADAS, LLAMAR UNA PERSONA CUALIFICADA.**



El punto exclamativo dentro un triángulo equilátero convenido para avisar el usuario de la presencia de importantes instrucciones sobre el funcionamiento y la manutención en la libreta que acompaña el aparato.

D3-4-2-1-1b\_A2\_Es

## PRECAUCIÓN

Este aparato es un producto de láser de clase 1 clasificado como tal en Seguridad de productos de láser, IEC 60825-1:2014, pero contiene un diodo de láser de clase superior a 1. Para mantener la seguridad en todo momento, no quite ninguna cubierta ni intente acceder al interior del aparato. Solicite todo el servicio técnico a personal cualificado. En su aparato encontrará la siguiente etiqueta de precaución.

Ubicación: Parte posterior del aparato

**PRODUCTO LASER CLASE 1**

**CAUTION** CLASS 3B VISIBLE AND INVISIBLE LASER RADIATION WHEN OPEN. AVOID EXPOSURE TO THE BEAM.  
**ATTENTION** RADIATIONS LASER VISIBLES ET INVISIBLES DE CLASSE 3B QUAND OUVERT. ÉVITEZ TOUT EXPOSITION AU FAISCEAU.  
**ADVARSEL** KLASSE 3B SYNLIG OG USYNLIG LASERSTRÅLING VED ÅBNING. UNDGÅ UDSÆTTELSE FOR STRÅLING.  
**VARO!** AVATTAESSA OLET ALTIINA NÄKYVÄLLÄ JA NÄKYMÄTTÖMÄLLÄ LUOKAN 3B LASERSÄTEILYLLÄ. ÄLÄ KATSO SÄTEESEEN.  
**WARNING** KLASS 3B SYNLIG OCH OSYNLIG LASERSTRÅLNING NÄR DENNA DEL ÄR ÖPPNAD. UNDVIK ATT UTSÄTTA DIG FÖR STRÅLEN. BEI GEÖFFNETER ABDECKUNG IST SICHTBARE UND UNSICHTBARE LASERSTRÄHLUNG DER KLASSE 3B IM GERÄTEINNEREN VORHANDEN. NICHT DEM LASERSTRAHL AUSSETZEN!  
**VORSICHT** PRECAUCIÓN CUANDO SE ABRE HAY RADIACIÓN LASER DE CLASE 3B VISIBLE E INVISIBLE. EVITE LA EXPOSICIÓN A LOS RAYOS LASER.  
**注意** ここを開くとクラス3Bの可視レーザー放射及び不可視レーザー放射が出ます。ビームの目又は皮膚への被ばくは危険！見たり触れたりしないこと。

D58-5-2-2b\*.B1\_Es

Para el EQUIPO ENCHUFABLE, la toma de corriente debe estar instalada cerca del equipo y debe ofrecer fácil accesibilidad.

## AVISO IMPORTANTE

ANOTE EL NÚMERO DE MODELO Y LOS NÚMEROS DE SERIE DE ESTE EQUIPO EN EL ESPACIO SIGUIENTE. LOS NÚMEROS SE ENCUENTRAN EN LA PARTE INFERIOR.

N.º DE MODELO BDR-XD07S  
N.º DE SERIE \_\_\_\_\_

GUARDE ESTOS NÚMEROS PARA PODER UTILIZARLOS EN EL FUTURO.

## Entorno de funcionamiento

Temperatura y humedad del entorno de funcionamiento

+5 °C a +35 °C; menos del 85 % de humedad relativa (rejillas de refrigeración no obstruidas)

No instale este aparato en un lugar mal ventilado, ni en lugares expuestos a alta humedad o a la luz directa del sol (o de otra luz artificial potente).

D3-4-2-1-7c\*.A1\_Es

Regulación 3 de la información sobre el ruido de maquinaria.

GPSVG: El nivel de presión sonora más alto es de 70 dB(A) o menos de acuerdo con EN ISO 7779.



es una marca comercial de Blu-ray Disc Association.



es una marca comercial de DVD Format/Logo Licensing Corporation.

# Instrucciones de seguridad

Por razones de seguridad personal y para aprovechar todo el potencial operativo de la unidad, deberá leer y seguir estas instrucciones de seguridad.

**Lea y guarde el manual de instrucciones** – Lea toda la información sobre el funcionamiento y para el usuario suministrada con esta unidad.

**Limpieza** – Emplee un paño humedecido para limpiar el alojamiento exterior. No emplee líquidos, aerosoles ni productos de limpieza con base de alcohol.

**Agua y humedad** – No ponga en funcionamiento ni deje esta unidad cerca del agua ni en otros lugares propicios a tener líquidos.

**Accesorios** – No ponga este aparato sobre un carrito, soporte, o mesa inestables. El aparato podría caerse y quedar seriamente dañado.

**Ventilación** – Las ranuras y aberturas del chasis sirven para permitir la refrigeración y la operación adecuada de la unidad. NO bloquee ni cubra las aberturas. NO ponga esta unidad sobre una cama, alfombra, etc. porque podrían bloquearse las aberturas. Esta unidad no deberá ponerse en forma de instalación empotrada a menos que esté adecuadamente ventilada.

**Operación** – No mueva, levante ni reoriente esta unidad mientras haya un disco girando en su interior.

**Entorno** – No instale esta unidad en lugares que estén expuestos a grandes cantidades de polvo, altas temperaturas, alta humedad, o estén sometidas a vibraciones excesivas o golpes.

**Fuentes de alimentación** – Opere esta unidad sólo con las fuentes de alimentación recomendadas. Si no está seguro sobre la fuente de alimentación, consulte a un representante autorizado de Pioneer.

**Protección del cable de alimentación** – Para desconectar la unidad, tire siempre de la clavija y no del cable. No manipule el cable ni la clavija con las manos mojadas; de lo contrario podría causar un cortocircuito o sufrir descargas eléctricas. No permita que el cable de alimentación quede pellizcado o presionado por ningún objeto y no lo ponga donde pudiera pisarse.

**Entrada de objetos y líquidos** – No introduzca nunca objetos inapropiados en el dispositivo. Procure que no se derrame ningún líquido dentro ni fuera de la unidad.

**Condensación de humedad** – Puede formarse humedad en la sección operativa del producto si se lleva la unidad de un lugar frío a una sala con temperaturas más cálidas. Deje la unidad de una a dos horas en la nueva sala antes de conectar su alimentación.

**Servicio técnico** – Si abre o extrae las cubiertas quedará expuesto a posibles descargas eléctricas u otros peligros. Para la reparación de esta unidad, póngase en contacto con un representante de servicio autorizado de Pioneer (consulte la tarjeta de servicio y soporte adjunta).

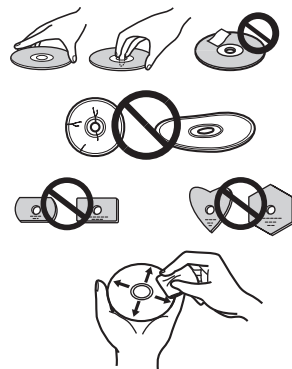
**Daños que requieren el servicio técnico** – Desenchufe la unidad y solicite el servicio técnico personal de servicio cualificado en los casos siguientes:

- Cuando el cable de alimentación, la clavija o el chasis estén dañados.
- Si se ha derramado líquido.
- Si el producto ha quedado expuesto a la lluvia o al agua.
- Si el producto no funciona con normalidad cuando se siguen las instrucciones de operación. Ajuste sólo los controles que se mencionan en el manual de instrucciones. Los ajustes inadecuados de otros controles pueden ocasionar daños y pueden requerir mucho trabajo por parte de un técnico cualificado para reponer la unidad a su estado de funcionamiento normal.
- Cuando el producto muestra un cambio obvio en su funcionamiento, indica que debe efectuarse el servicio técnico.

**Acerca de la reproducción de discos DualDisc** – Un DualDisc es un disco de dos caras, una de las cuales incluye contenido de vídeo/audio/etc. de DVD, mientras que la otra incluye contenido que no es propio de DVD, como el material de audio digital. La cara de audio que no es de DVD no cumple la especificación de CD de audio y, por lo tanto, es posible que no pueda reproducirse. La cara de DVD de un disco DualDisc puede reproducirse en esta unidad. Para encontrar más detalles sobre las especificaciones de los discos DualDisc, consulte al fabricante o al distribuidor del disco.

- No toque ni raye la superficie de la señal del disco (el lado brillante).
- Sujete el disco por los bordes o por el agujero central y un borde.
- No adhiera papeles ni etiquetas al disco.
- No emplee discos deformados o agrietados porque pueden ocasionar daños en la unidad.
- Especialmente no utilice discos con formas especiales como los que tienen forma de corazón o poligonal.
- Quite el polvo o la hilacha del disco con un paño blando, frotándolo desde el interior al borde exterior del disco en lugar de hacerlo con un movimiento circular.
- No use limpiadores de discos ni agentes antiestáticos porque estas soluciones pueden causar daños en los discos.

**Guarde siempre sin falta los discos en estuches adecuados para discos cuando no los utilice, y compruebe siempre si hay polvo o suciedad en los discos (especialmente en el lado de señal) antes de utilizarlos.**



#### **Nota**

Es posible que algunos discos no puedan reproducirse debido a distintos formatos de grabación o a la condición física del disco en el momento de su grabación o reproducción.

# Características

## Velocidad máxima de escritura\*

BD-R	6X
BD-R DL	6X
BD-R TL	4X
BD-R QL	4X
BD-R (LTH)	6X
BD-RE	2X
BD-RE DL	2X
BD-RE TL	2X
M-DISC BD-R SL/TL	4X
M-DISC BD-R DL	6X

DVD-R	8X
DVD-R DL	6X
DVD-RW	6X
DVD+R	8X
DVD+R DL	6X
DVD+RW	8X
DVD-RAM	5X
M-DISC(DVD)	4X

CD-R	24X
CD-RW	24X

## Velocidad máxima de lectura\*

BD-ROM SL/DL	6X
BD-R	6X
BD-R DL	6X
BD-R TL/QL	4X
BD-R(LTH)	6X
BD-RE	6X
BD-RE DL	6X
BD-RE TL	4X
M-DISC BD-R SL/DL	6X
M-DISC BD-R TL	4X

DVD-ROM	8X
DVD-ROM DL	8X
DVD-R	8X
DVD-R DL	8X
DVD-RW	8X
DVD+R	8X
DVD+R DL	8X
DVD+RW	8X
DVD-RAM	5X
M-DISC(DVD)	8X

CD-ROM, CD-R, CD-RW	24X
---------------------	-----

\* Al utilizar un puerto USB 2.0, la velocidad de lectura/escritura de BD no llega a ser de 6X.

## Tamaño de la memoria intermedia Interfaz

## 4 Mbytes (Lectura/escritura) USB 3.0 & 2.0

### Formato del disco

- BD-ROM (una/doble capa)
- BD-R (una/doble/triple/cuádruple capa)
- BD-RE (una/doble/triple capa)
- M-DISC BD-R (una/doble/triple capa)
  
- DVD-ROM (una/doble capa)
- DVD-Video (una/doble capa)
- DVD-R
- DVD-RW
- DVD+R
- DVD+RW
- DVD-RAM (sin cartucho), ver. 2.0, 2.1 y 2.2
- M-DISC (DVD)

- Modo CD-ROM 1 y 2
- CD-ROM XA Modo 2 (forma 1, forma 2)
- KODAK Photo CD (Sencillo y Multisesión)
- CD Extra (CD PLUS)
- CD texto
- CD-R
- CD-RW (MS/HS/US/US+)
- CD-DA
- Video CD

Sólo soporta la lectura de los medios **RAM** grabados.



## Nota

- Para escribir con los formatos arriba indicados se requiere un programa de aplicación específico.
  - Se requieren medios de grabación compatibles con las velocidades de escritura de BD, DVD y CD específicas.
  - La velocidad media de escritura puede reducirse cuando se escriben varios discos durante la misma sesión.
  - La utilidad de unidad de Pioneer es necesaria para poder configurar las funciones Quiet Drive y PureRead.
- <https://pioneer.jp/support/download/index-e.html>

# Interfaz

## Vista frontal/superior

### 1 Indicador de la alimentación/ocupado

El estado de operación se indica de la forma siguiente.

Con la alimentación conectada: Se enciende con poca intensidad

Durante la lectura/escritura: Se enciende Mientras la cubierta del disco está abierta/ cerrar: Se enciende con poca intensidad

### 2 Botón de abertura (OPEN)

Púlselo para abrir la cubierta de disco.

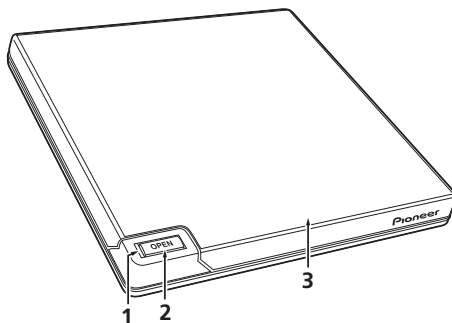
\* Si este dispositivo se conecta a Mac, no podrá usar esta función debido a las especificaciones de macOS.

### 3 Cubierta del disco

Pulse el botón OPEN para abrir la cubierta del disco y ponga solo un disco BD, DVD o CD en la bandeja con la etiqueta encarada hacia arriba. Cierre la cubierta del disco con cuidado.

No aplique fuerza manual para abrir la cubierta del disco.

Para abrir la cubierta del disco cuando la alimentación esté desconectada (POWER OFF) emplee la palanca de abertura forzada.



## Vista posterior/inferior

### 4 USB 3.0

Conector USB 3.0 Micro-B

### 5 Toma de entrada de CC (DC IN) ⏻⏹⏸

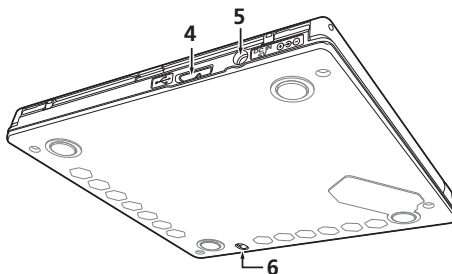
Conector del adaptador de CA

El puerto USB de algunos ordenadores no suministra corriente suficiente para el funcionamiento de la unidad. Para suministrar la corriente puede conectarse un adaptador de CA (no está incluido). Para ver más detalles al respecto, visite o póngase en contacto en nuestro sitio Web

<https://www.pioneerelectronics.com/PUSA/>  
Telf.: 1-800-421-1404

No conecte ningún adaptador de CA que no sea el especificado por Pioneer.

**No conecte ningún adaptador de CA que no sea el especificado por Pioneer.**



## 6 Palanca de apertura forzada

Utilízcela para abrir la cubierta del disco cuando no esté conectada la alimentación de la unidad. Si no se abre la cubierta del disco presionando el botón de apertura, desconecte la alimentación (OFF) de la unidad y espere un minuto aproximadamente hasta que el disco deje de girar antes de volver a intentar abrir la cubierta del disco. Durante la operación normal, deberá utilizarse el botón de apertura para abrir la cubierta del disco.



### Precaución

Acerca De Los Códigos De Región

- El código de región **sólo** puede cambiarse **cinco (5) veces**, incluyendo la del ajuste inicial. Tenga presente que el quinto cambio será el que quedará PERMANENTEMENTE. Por lo tanto, no cambie el código de región a menos que sea absolutamente necesario.
- Los códigos de región son parte de las normas DVD. No obstante, los códigos de región de los discos DVD son opcionales. Los discos DVD que no tienen especificado el código de región pueden reproducirse en todos los reproductores y/o aplicaciones compatibles.

# Conexiones

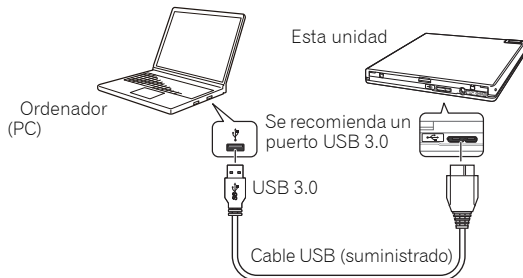
Es una unidad de conexión en caliente. Conecte la unidad al cable USB suministrado.

- 1 **Confirme que el ordenador (PC) tenga un puerto USB disponible.**
- 2 **Si su ordenador funciona con el sistema operativo Windows® o Mac, emplee el cable USB suministrado para conectar esta unidad al ordenador.**



## Precaución

- No desconecte el cable USB durante la transferencia de datos.
- No desconecte el cable USB mientras se esté iniciando el ordenador ni mientras esté efectuando alguna operación con la unidad.



## Nota

- Se recomienda la conexión a un puerto USB 3.0 porque cuando conecta un cable USB 3.0 a un puerto USB 2.0, la conexión se limitará a las normas de funcionamiento de USB 2.0.
- Esta unidad puede funcionar con USB 1.1, pero no ofrecerá su óptimo rendimiento.
- No se garantiza la correcta operación de esta unidad si se conecta a través de un concentrador USB o si se emplean cables que no sean los especificados.
- Si la alimentación es insuficiente cuando se emplea un puerto USB, conecte un adaptador de CA (no está incluido) a través del conector DC IN del panel posterior de la unidad y enchúfelo a una toma de corriente para alimentar la unidad. Para que la unidad funcione correctamente, conecte el cable USB (incluido) después de haber conectado el adaptador de CA. Para encontrar más detalles sobre la conexión del adaptador de CA, visite o póngase en contacto en nuestro sitio Web <https://www.pioneerelectronics.com/PUSA/>  
Telf.: 1-800-421-1404
- **No conecte ningún adaptador de CA que no sea el especificado por Pioneer.**
- Esta unidad debe utilizarse solamente con ordenadores con homologación UL que se vendan con instrucciones de instalación que detallen la instalación de accesorios USB por parte del usuario.
- Deberá utilizarse un adaptador de CA de clase 2 con homologación UL (salida de 5 V, mín. 1,0 A).

# Operaciones

La unidad escribe en el disco cuando se utiliza con una aplicación de software instalada en su PC. La escritura no podrá llevarse a cabo si el ordenador o el sistema operativo no son compatibles con el programa de la aplicación.

---

## Inicio de la escritura en un disco

- 1 **Conecte el cable USB suministrado.**
- 2 **Conecte la alimentación del ordenador.**
- 3 **Pulse el botón OPEN y levante con cuidado la cubierta del disco con la mano.**  
\* Si este dispositivo se conecta a Mac, no podrá usar esta función debido a las especificaciones de macOS.
- 4 **Ponga el disco en la bandeja con la etiqueta encarada hacia arriba.**
- 5 **Cierre la cubierta del disco con cuidado.**
- 6 **Inicie la aplicación de grabación del disco.**

---

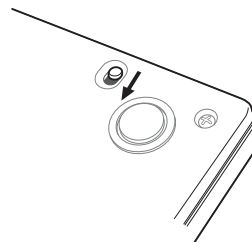
## Finalización de la sesión de escritura

- 1 **Cierre la aplicación de grabación del disco.**
  - 2 **Pulse el botón OPEN y levante con cuidado la cubierta del disco con la mano.**  
\* Si este dispositivo se conecta a Mac, no podrá usar esta función debido a las especificaciones de macOS.
  - 3 **Extraiga el disco.**
  - 4 **Cierre la cubierta del disco con cuidado.**
  - 5 **Apague el ordenador.**
- Cuando se haya desbloqueado el mecanismo de bloqueo, será necesario abrir por completo la cubierta del disco para poder volver a cerrarla.

## Abertura manual de la cubierta del disco

Emplee la palanca de abertura forzada para extraer los discos cuando no se abra la cubierta del disco y ya se hayan probado todos los demás métodos.

- 1 **Apague el ordenador.**
- 2 **Espera a que el disco deje de girar.**
- 3 **Para abrir la cubierta del disco, deslice la palanca de abertura forzada.**
- 4 **Abra con cuidado la cubierta del disco y quite el disco.**



### **Advertencia**

NO fuerce la cubierta del disco para abrirla cuando el disco todavía esté girando a fin de evitar heridas personales y daños en la unidad.

# Especificaciones

**Orientación** ..... Esta unidad se utiliza en posición horizontal.

**Tamaño del disco** ..... 12 cm/8 cm  
(La unidad no es compatible con formas especiales tales como tarjetas de visita, rombos, etc.)  
(La unidad no es compatible con adaptadores para discos de 8 cm.)

## Velocidad de transferencia de datos

\* Los discos que estén sucios o dañados pueden afectar la velocidad de transferencia.

Lectura de datos (continua)	BD	..... Máx. 21,06 MBytes/seg.
	DVD	..... Máx. 8,64 MBytes/seg.
	CD	..... Máx. 3,24 MBytes/seg.
Escritura de datos (continua)	BD	..... Máx. 21,06 MBytes/seg. (BD-R de 6X)
	DVD	..... Máx. 8,64 MBytes/seg. (DVD-R de 8X)
	CD	..... Máx. 3,24 MBytes/seg. (CD-R de 24X)

## Tiempo de acceso/tiempo de búsqueda (promedio aleatorio)

Tiempo de acceso	BD-ROM	..... 210 ms
	DVD-ROM	..... 200 ms
	CD-ROM	..... 190 ms
Tiempo de búsqueda	BD-ROM	..... 190 ms
	DVD-ROM	..... 180 ms
	CD-ROM	..... 170 ms

## Alimentación

En estado de espera ..... 0,5 W

## Conector de entrada de CC (DC IN)

Alimentación eléctrica ..... +5 V CC, 1,0 A (AVE)

## Información física

Dimensiones (excluyendo las almohadillas de las patas)	..... 133 mm (An) X 133 mm (Prf) X 14,8 mm (Al)
Peso (sólo la unidad)	..... 0,23 kg (típico)
Temperatura de funcionamiento	..... +5 °C a +35 °C
Humedad de funcionamiento	..... 5 % al 85 % (sin condensación)
Temperatura de almacenaje	..... -40 °C a +60 °C
Humedad de almacenaje	..... 5 % al 90 % (sin condensación)

## Accesorios

Manual de instrucciones (este documento)	..... 1
Cable USB (TypeA)	..... 1
Tarjeta de garantía	..... 1



### Nota

Especificaciones y diseño sujetos a posibles cambios sin previo aviso debido a mejoras del producto.

© 2020 PIONEER CORPORATION.  
Todos los derechos reservados.







## **AFTER SALES SERVICE FOR PIONEER PRODUCTS**

Please contact the dealer or distributor where you purchased this product for its after-sale service (including warranty conditions) or any other information. In case the necessary information is not available, please contact the Pioneer's subsidiarity (regional service headquarters) listed below.

PIONEER ELECTRONICS (USA) INC.  
P.O.BOX 1720, Long Beach, California 90801 U.S.A.

**® PIONEER CORPORATION**

© 2020 PIONEER CORPORATION.  
All rights reserved.

© 2020 PIONEER CORPORATION.  
Tous droits de reproduction et de traduction réservés.

---

PIONEER CORPORATION  
28-8, Honkomagome 2-chome, Bunkyo-ku, Tokyo 113-0021, Japan  
PIONEER ELECTRONICS (USA) INC.  
P.O.BOX 1720, Long Beach, California 90801 U.S.A.

**For BDR-XD07S support, go to:**  
<https://www.pioneerelectronics.com/PUSA/>

Printed in China/Imprimé en Chine/Impreso en China

<ORC8331-A>