

Driver Application Guide

Project Name _____

Date _____ Type _____

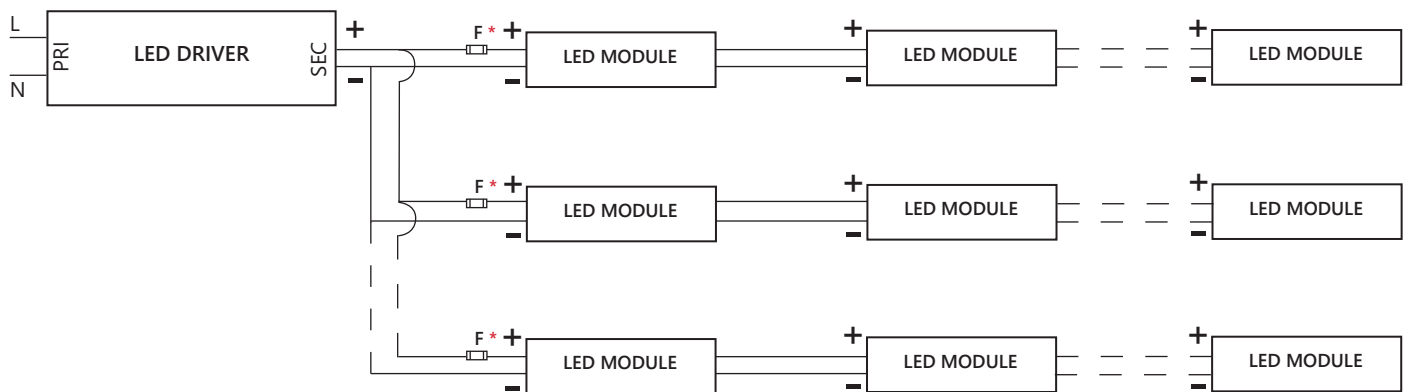
Notes _____

Product Information

Maximum loading of automatic circuit breakers in relation to inrush current.

MODEL	SKU	POWER OUTPUT	B10	B16	C10	C16
EBV-036S024SVF	93134313	36W	23	37	35	56
EBV-100S012SV	93134314	100W	11	17	12	20
EUV-150S012SVA, GEPS12-150U-EU	93135543, 93158025	150W	2	4	4	7
EBV-150S024SV, GEPS24-150U-EU	93134346, 93158024	150W	7	11	8	13
EBV-200S012SV, GEPS12-200U-EU	93134347, 93158022	200W	5	8	6	11
EBV-200S024SV, GEPS24-200U-EU	93134348, 93158023	200W	5	8	6	11

Recommended Wiring Diagram



* Required for the products marked with ■

Loading Charts

Tetra White 24V

POWER OUTPUT	PowerMAX HO *	PowerMAX	MAX	MiniMAX	MS
36W	24 modules	34 modules	46 modules	82 modules	120 modules
150W	100 modules	142 modules	192 modules	342 modules	500 modules
200W	133 modules	190 modules	258 modules	456 modules	666 modules
Watts per module	1.2W/modules	0.84W/modules	0.62W/modules	0.35W/modules	0.24W/modules
Modules per 2.5A	50 modules	71 modules	96 modules	171 modules	250 modules

Tetra White 24V

POWER OUTPUT	MAX Red	MAX Red HO	MAX Green	MAX Blue	MAX Amber
36W	62 modules	38 modules	37 modules	82 modules	74 modules
150W	262 modules	160 modules	156 modules	172 modules	312 modules
200W	350 modules	214 modules	208 modules	230 modules	416 modules
Watts per module	0.456W/modules	0.744W/modules	0.768W/modules	0.696W/modules	0.384W/modules
Modules per 2.5A	131 modules	80 modules	78 modules	86 modules	156 modules

Tetra Colours 24V - Continued on Page 2...

Driver Application Guide

Project Name _____

Date _____ Type _____

Notes _____

Tetra Colours 24V Continued from Page 1...

POWER OUTPUT	MiniMAX Red	MiniMAX Green	MiniMAX Blue
36W	86 modules	50 modules	54 modules
150W	356 modules	208 modules	226 modules
200W	476 modules	278 modules	302 modules
Watts per module	0.336W/modules	0.576W/modules	0.528W/modules
Modules per 2.5A	178 modules	104 modules	113 modules

Select TX Gen 3 - 12V

POWER OUTPUT	Select TX Gen 2 L	Select TX Gen 2 M	Select TX Gen 2 S	Select TX Gen 2 VS
100W	50 modules	66 modules	100 modules	200 modules
150W	75 modules	100 modules	150 modules	300 modules
200W	100 modules	134 modules	200 modules	400 modules
Watts per module	1.6W/modules	1.2W/modules	0.8W/modules	0.4W/modules
Modules per 2.5A	19 modules	25 modules	37 modules	75 modules

Select TX Gen 2 - 12V

POWER OUTPUT	Select TX Gen 2 L	Select TX Gen 2 M	Select TX Gen 2 S	Select TX Gen 2 VS	Select TX Gen 2 Red
100W	50 modules	66 modules	100 modules	200 modules	154 modules
150W	75 modules	100 modules	150 modules	300 modules	232 modules
200W	100 modules	134 modules	200 modules	400 modules	310 modules
Watts per module	1.6W/modules	1.2W/modules	0.8W/modules	0.4W/modules	0.516W/modules
Modules per 2.5A	19 modules	25 modules	37 modules	75 modules	58 modules

Select TX Gen 2 - 12V Continued...

POWER OUTPUT	Select TX Gen 2 Blue	Select TX Gen 2 Green
36W	102 modules	118 modules
150W	154 modules	178 modules
200W	206 modules	238 modules
Watts per module	0.78W/modules	0.672W/modules
Modules per 2.5A	33 modules	44 modules

Tetra Tape - 12V

POWER OUTPUT	Tetra Tape	Tetra Tape HO	Tetra Tape Red	Tetra Tape Green	Tetra Tape Blue
100W	18m	7.5m	23.25m	34m	18m
150W	27m	11.25m	35m	50m	27m
200W	36m	15m	46.75m	66m	36m
Watts per 305mm	1.37W	3.3W	1.06W	0.73W	1.37W
Metres per 2.5A	6.7m	2.74m	8.5m	12.5m	6.4m

Tetra EdgeStrip - 24V

POWER OUTPUT	EdgeStrip	EdgeStrip HO
36W	12 modules	5 modules
150W	48 modules	22 modules
200W	64 modules	30 modules
Watts per module	2.52W/modules	5.40W/modules
Modules per 2.5A	23 modules	11 modules

Tetra Slim EdgeStrip - 24V

POWER OUTPUT	Slim EdgeStrip	Slim EdgeStrip HO
36W	20 modules	13 modules
150W	83 modules	55 modules
200W	111 modules	74 modules
Watts per module	1.44W/modules	2.16W/modules
Modules per 2.5A	41 modules	27 modules

Tetra Contour - 24V

POWER OUTPUT	Red, Green, Blue	Orange, Yellow	Whites
36W	6.00m	4.00m	2.80m
150W	25.00m	16.50m	12.00m
200W	33.00m	22.00m	16.00m
Watts per 305mm	1.52W	2.27W	3.17W
Modules per 2.5A	39 modules	26 modules	19 modules

Tetra Contour LS - 24V

POWER OUTPUT	Red	Green, Blue	Whites
36W	7.00m	5.25m	2.80m
150W	29.00m	22.00m	12.00m
200W	39.00m	29.00m	16.00m
Watts per 305mm	1.30W	1.73W	3.17W
Modules per 2.5A	46 modules	34 modules	19 modules

Tetra Snap DS - 24V

POWER OUTPUT	Snap DS
36W	11 modules
150W	46 modules
200W	62 modules
Watts per 305mm	2.59W/module
Modules per 2.5A	23 modules

Tetra Snap SS - 24V

POWER OUTPUT	Snap DS
36W	22 modules
150W	92 modules
200W	124 modules
Watts per 305mm	1.3W/module
Modules per 2.5A	46 modules

Tetra Atom - 24V

POWER OUTPUT	Atom
36W	116 modules
150W	480 modules
200W	640 modules
Watts per 305mm	0.25W/modules
Modules per 2.5A	240 modules

Rigid Light Bar - 24V

POWER OUTPUT	560	1120
36W	9 modules	4 modules
150W	40 modules	19 modules
200W	52 modules	26 modules
Watts per bar	3.1W	6.3W
Modules per 2.5A	8 modules	4 modules

NOTE: The number of Light Bars in series is limited by the current carrying capacity of the Rigid Light Bar connector.

Cutable Light Bar - 24V

POWER OUTPUT	Cutable Light Bar
36W	3
150W	11
200W	15
Watts per 305mm	10.8W
Modules per 2.5A	5

Indicate products that will require an inline fuse with a current rating no greater than 5 amps, as depicted in the wiring diagram.