

RMP

NICOR®



3" LED Monopoint

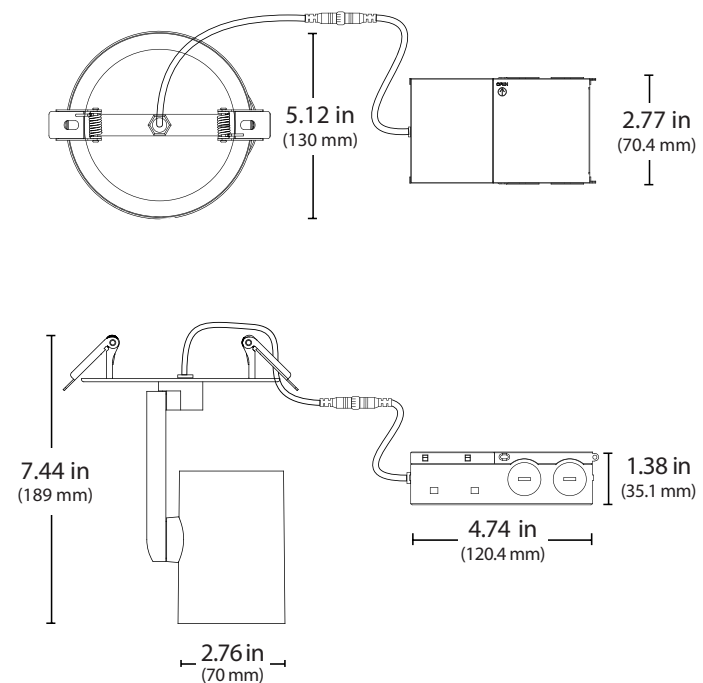


RMP

3" LED Monopoint

The RMP Monopoint offers flexible lighting with a streamlined design eliminating the use of a hardwired track or housing. Selectable wattage and CCT enable a variety of moods and environments to be accommodated such as commercial retail spaces, gallery exhibitions, or residential applications such as hallways or living areas.

Dimensions

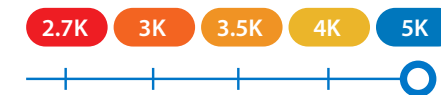


FEATURES

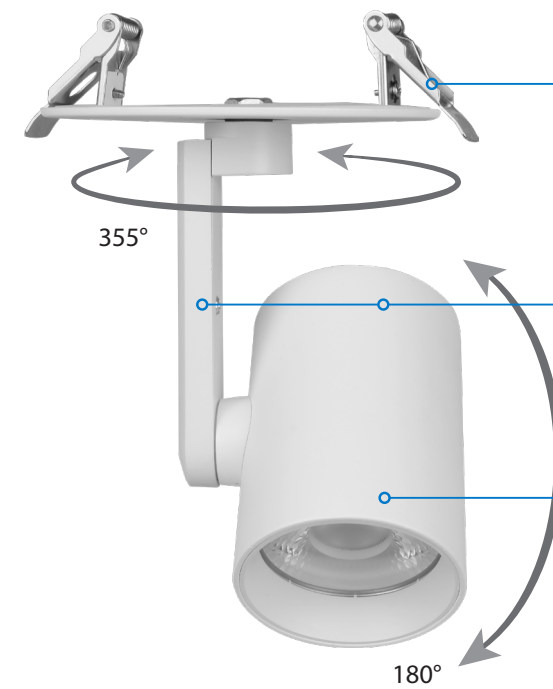
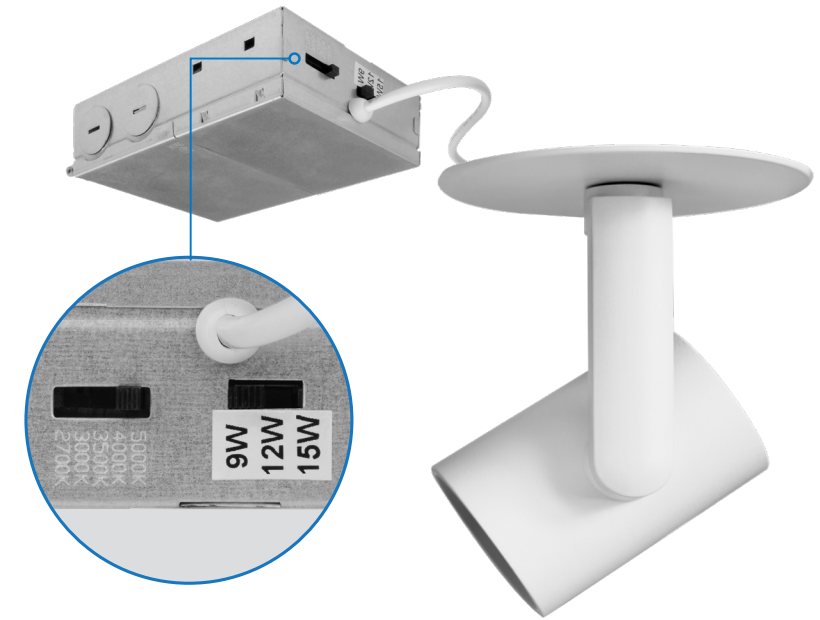
Field-Selectable Wattage & CCT

Built-in switches let you adjust wattage (9W/12W/15W) and color temperature (2700K–5000K) on-site to fit different environments and moods.

Selectable CCTs



Selectable Wattages



Easy, Tool-Free Installation

Spring-loaded tabs allow secure mounting in ceilings up to 3/4" thick—no housing needed.

Flexible Aiming

The fixture stem rotates 355° & the head tilts 180°, providing full directional control.

Built for Reliability

Die-cast aluminum housing and off-board driver improve heat dissipation and extend fixture life.

- CRI >90**
R9 >50
- Lumens**
1230
- Lifetime**
>54,000 hrs
- Beam Angle**
42°
- Dimmable**
10%

Ordering Information										Example: RMP1A3S15S120S942WH	
Series	Version	Body Type	Diameter	Length	Wattage	Input	CCT's	CRI	Beam°	Trim	
RMP	1	A	3	S	15S (9/12/15)	120 VAC	S (2700/3000/3500/4000/5000K)	9 (90)	42	WH (White)	

Specifications and dimensions subject to change without notice. Please refer to the website for the most up-to-date information.

Accessories		Recommended Dimmers*	
3", 4", 6" Rough In Flat Template	ROUGHIN-TEMPLATE-346	Lutron DVCL-153P	Lutron CTCL-153P
		Lutron TGCL-153PH-WH	Leviton 6672

*Not a complete list. Check compatibility before installation.





WAREHOUSE LOCATIONS:

Albuquerque, NM
Buford, GA
Roseville, CA

NICOR Lighting
2200 Midtown Place NE
Albuquerque, NM 87107 USA
www.nicorlighting.com
T. 800-821-6283 F. 800-892-8393

