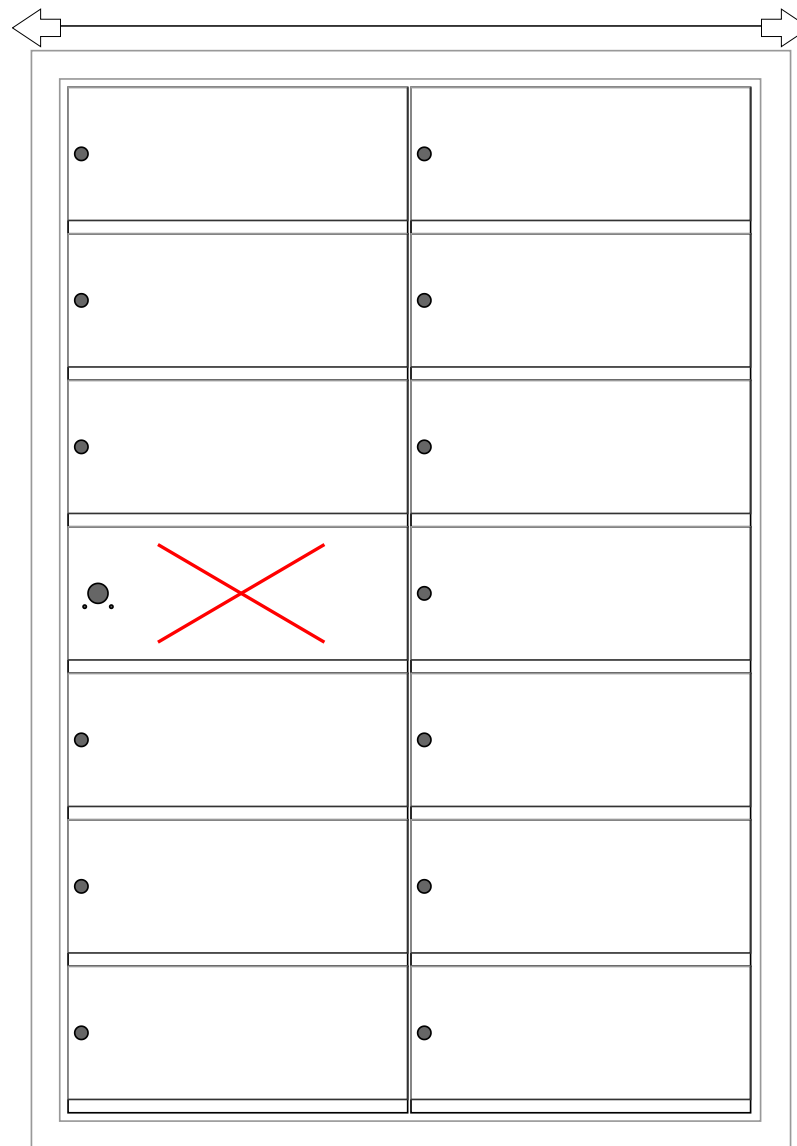


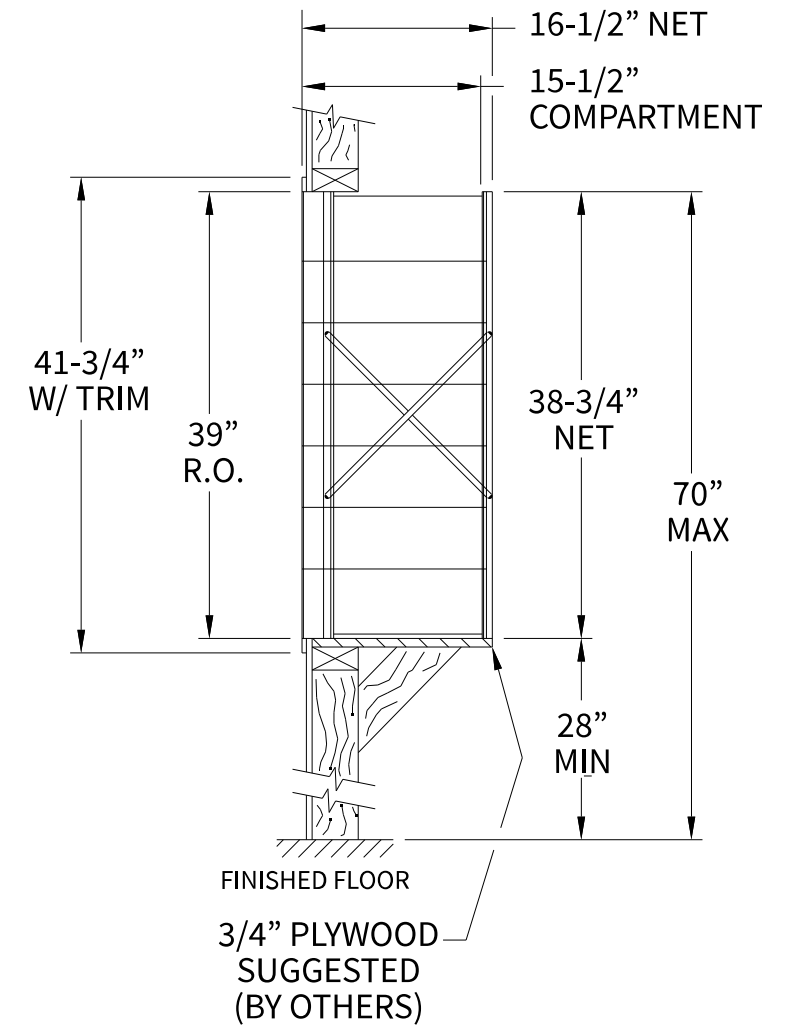
140074D Dimensions

Overall Width w/ Trim: 29-3/4"
(Rough Opening: 27-1/2")



140074D

Side View



Configuration Details:

- 1. **Product Type:** 1400 Horizontal
- 2. **Installation:** Front-load, Recessed Mount
- 3. **Finish:** Anodized Aluminum
- 4. **Locks:** Standard Cam Lock, 2 keys
- 5. **Door Id:** tbd
- 6. **Master Door:** tbd

Matching standard snap-on trim included

Models Used:

(1) 140074D

DO NOT SCALE OFF DRAWING

Door Sizes Used:

(1) 1x2 Master
(13) 1403 1x2 Compartment

ELEVATION: 140074D | **MAILBOXES:** 13 |

PROJECT NAME: 1400 Series Mailbox

DRAWN BY: FLORENCE

AF FLORENCE
manufacturing company

5935 Corporate Drive • Manhattan, KS 66503
www.florencemailboxes.com • 800.275.1747

A GIBRALTAR INDUSTRIES COMPANY

DATE: 01-15-2016

P.O. NO:

SCALE: NONE

QUOTE NO:

DRAWING NO. WEB-1934

SHEET 1 OF 1