

ESPL Series Sports Lighter LED Floodlight



Project Name _____

Date _____ Type _____

Notes _____

- The Evolve ESPL LED sports lighter is designed to replace legacy 1500W HID systems one-for-one, with better uniformity and superior lumen maintenance, providing over 50% energy savings with improved light levels
- Ideal for municipal sports fields, large area lighting, and other applications requiring high light levels
- Superior efficacy ranging from 135 to 153 LPW
- Available in three beam spreads - NEMA 3x3, 4x4, 5x5

CONSTRUCTION

Housing:	Die Cast Aluminum Housing
Lens:	UV Stabilized polycarbonate outer lens protects LED's
Paint:	Light Gray
Weight:	54.4lbs. (24.7kg)

OPTICAL SYSTEM

Lumens:	99,500 - 113,000
Distribution:	NEMA 3x3, 4x4, 5x5
Efficacy:	135-153 LPW
CCT:	4000K
CRI (Min):	70

ELECTRICAL

Input Voltage:	120-277V, 277-480V
Input Frequency:	50/60Hz
Power Factor:	90%
Total Harmonic Distortion:	>20%

SURGE PROTECTION*

Standard
6kA

*Per ANSI C136.2-2015

WARRANTY

5 Year (Standard)

LUMEN MAINTENANCE

Projected Lxx per IES TM-21 at 25°C

SKU	LXX(10K) @ Hours		
	25,000 HR	50,000 HR	100,000 HR
ESPL	L96	L91	L81

Note: Projected LXX based on LM80 (> 10,000 hour testing). Accepted Industry tolerances apply to initial luminous flux and lumen maintenance measurements.

AMBIENT TEMPERATURE FACTOR

Ambient Temp (°C)
-40°C to 40°C

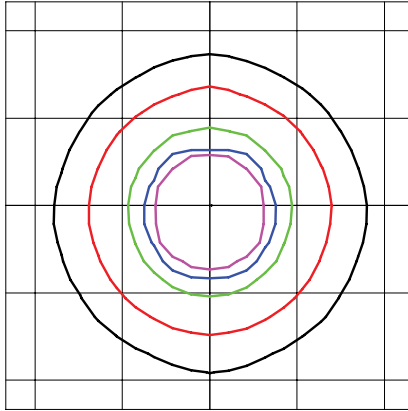
RATINGS

Operating Temperature:	-40°C to 40°C
Vibration:	3G Vibration Rating

CONTROLS

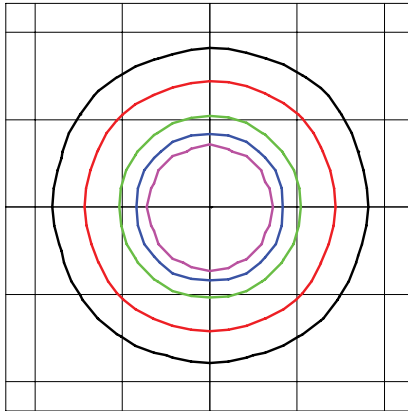
Dimming:	0-10V Dimming Driver
-----------------	----------------------

ESPL 01 0 33 70 40
NEMA 3x3



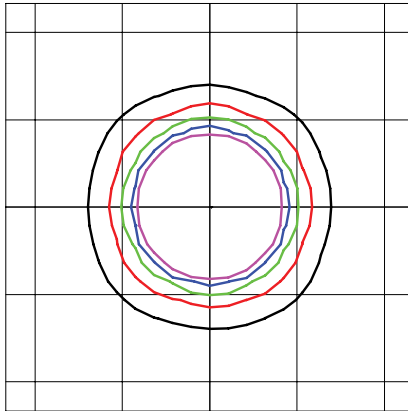
Beam Pattern: NEMA 3x3, Beam Angle: 19° x 19°
Mounting Height: 60ft

ESPL 01 0 44 70 40
NEMA 4x4



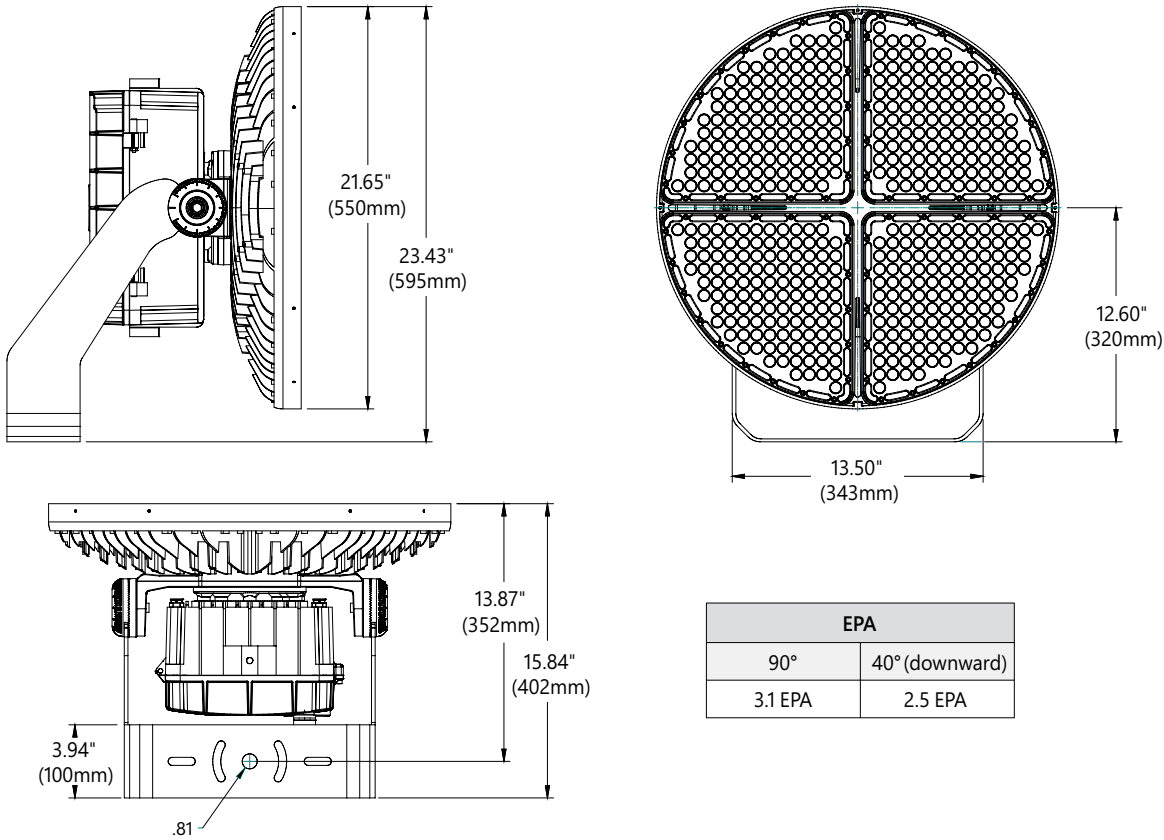
Beam Pattern: NEMA 4x4, Beam Angle: 30° x 30°
Mounting Height: 60ft

ESPL 01 0 55 70 40
NEMA 5x5

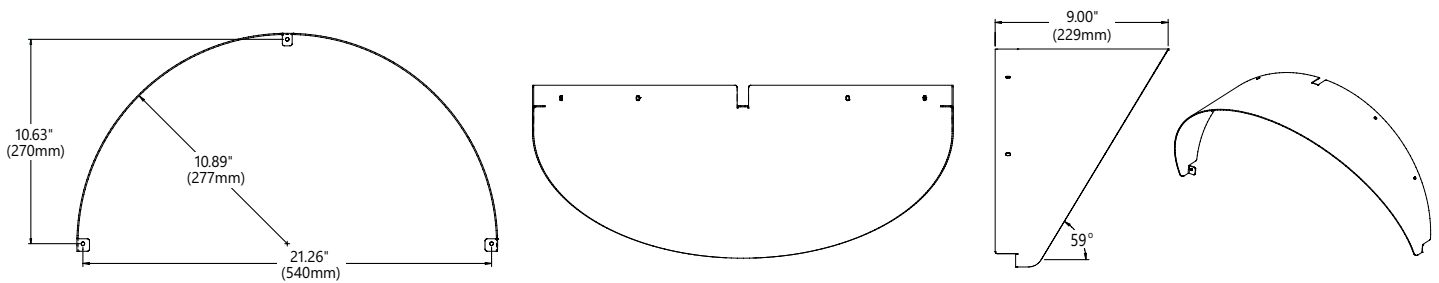


Beam Pattern: NEMA 5x5, Beam Angle: 56° x 56°
Mounting Height: 60ft

DIMENSIONS



VISOR



LASER AIMING

