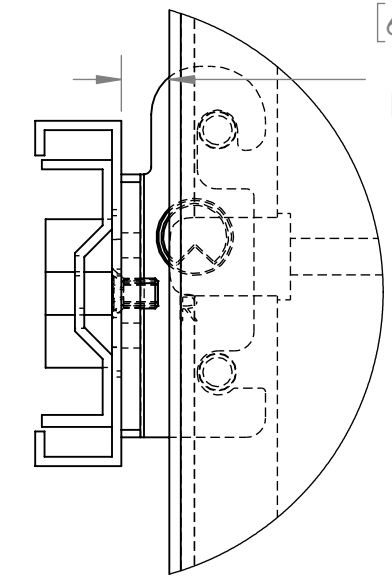
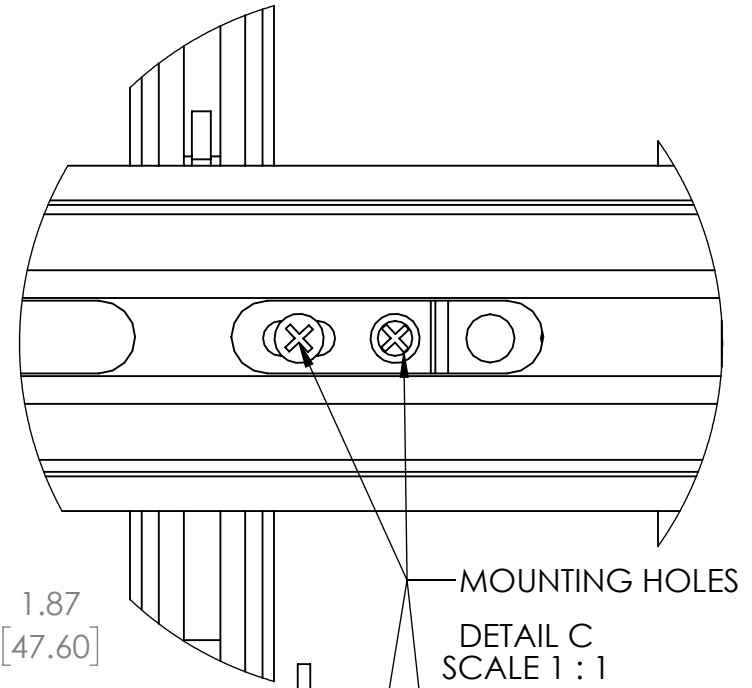


2.38 [60.33]
 FROM BACK OF FACE FRAME
 (3.13 FROM FRONT OF CABINET)
 2.00 [50.80]
 (2.75 FROM FRONT OF CABINET)

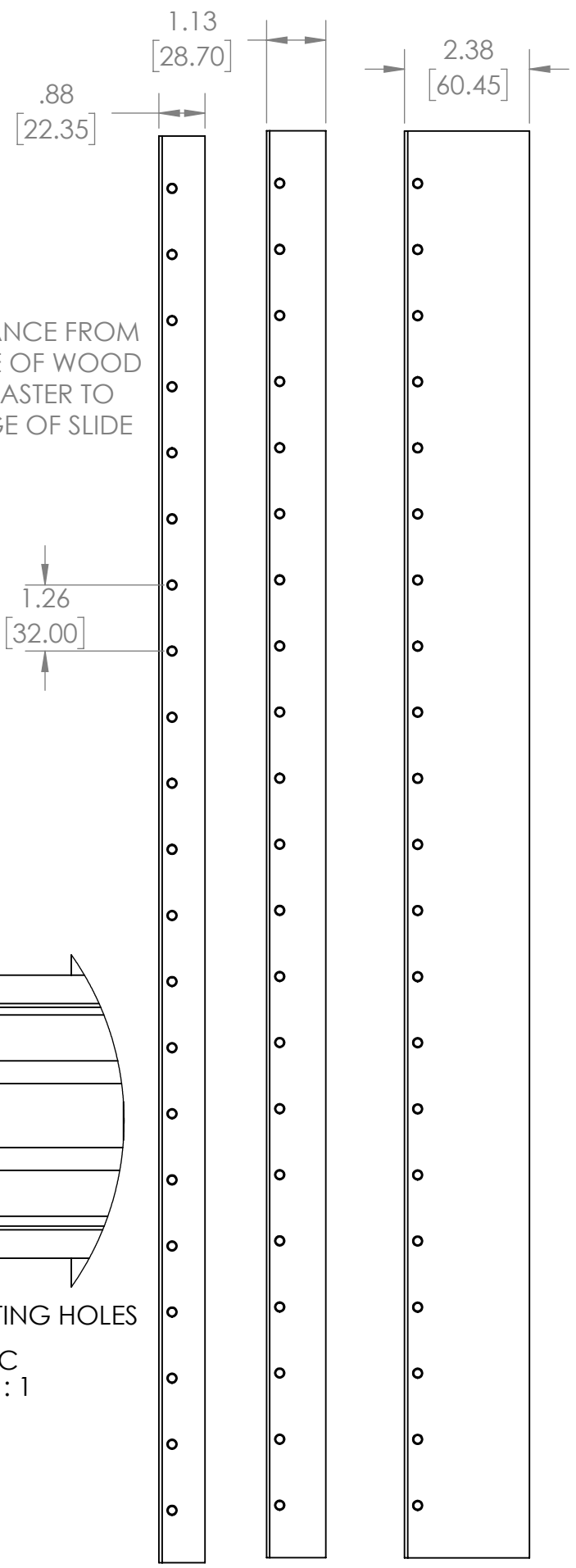


FRONT VIEW SCALE 1 : 1



.75 [19.05]

PILASTER SLIDE MNTG BRKT



4PILBB-TEMPLATE-LENGTHS 3/12/25 BKT