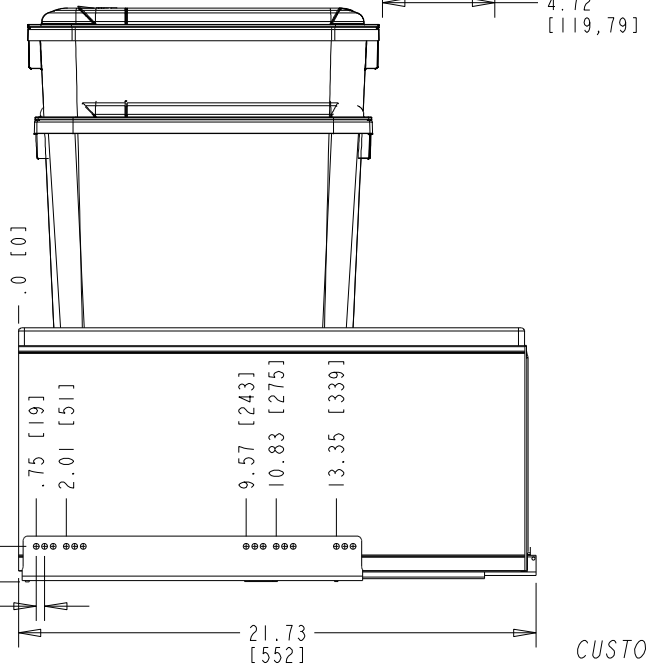
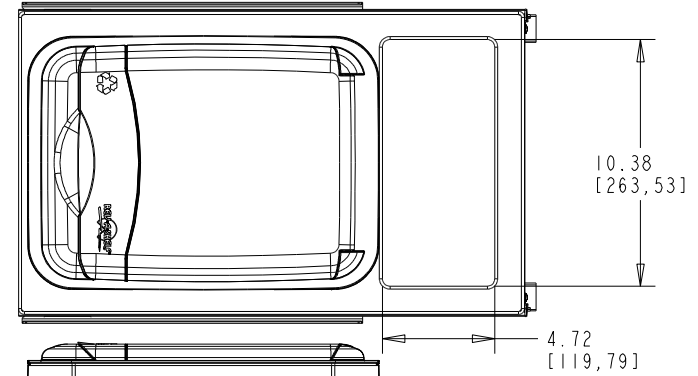
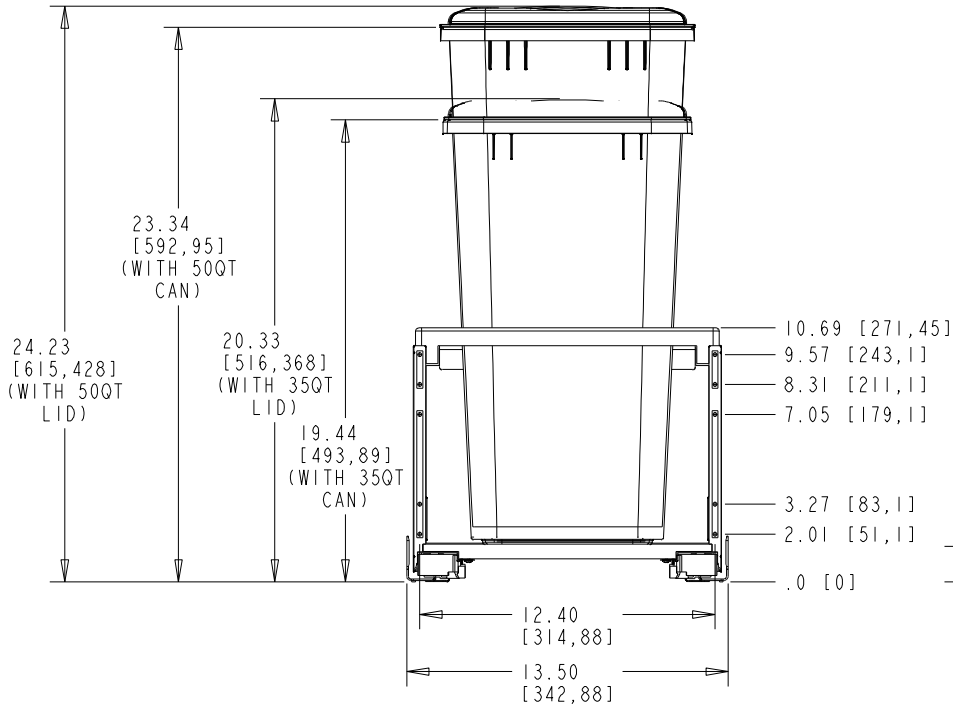


PART NUMBER	WASTE CAN	LEGRABOX FINISH	TOP FRAME FINISH
5LB-15350GWN-113	35 QT	ORION GRAY	WALNUT - MATTE
5LB-15500GWN-113	50 QT	ORION GRAY	WALNUT - MATTE
5LB-1535SSBL-118	35 QT	STAINLESS STEEL	BLACK - GLOSS
5LB-1550SSBL-118	50 QT	STAINLESS STEEL	BLACK - GLOSS
5LB-15350GMP-113	35 QT	ORION GRAY	MAPLE - GLOSS
5LB-15500GMP-113	50 QT	ORION GRAY	MAPLE - GLOSS



CUSTOMER DRAWING

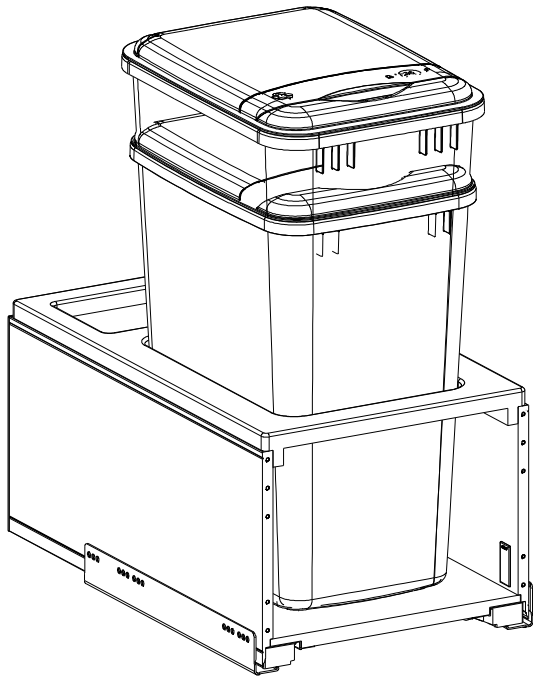
This drawing is the property of Rev-A-Shelf (RAS) and is disclosed in confidence to the extent its subject matter is original to RAS. Any vendor receiving this drawing from RAS shall hold and use this drawing for the sole benefit of RAS and shall not disclose it to, or use or reproduce it for any third party, or perform any act adverse to the interest of RAS with respect to this drawing without the express written permission of RAS. Vendors shall not revise any physical, dimensional or performance characteristic unless authorized by Rev-A-Shelf Engineering.

REV.	DATE	BY	DESCRIPTION OF CHANGE

INCH [MM]	AMERICAN PROJECTION	BY	DATE	REV-A-SHELF [®] , Inc.
		DRAWN	KRR	
MATERIAL				SIZE
FINISH				FOR 15" FRAMELESS CABINET
DRAWING NO.				SCALE
5LB-15XXXXX-11X.CUST				0.200
PART NO.				SHEET
SEE CHART				1 OF 2

TOLERANCES
 MAT. DEC.
 (WOOD) .XX ±.03 [8mm]
 (OTHER) .XX ±.02 [5mm]
 (ALL) .XXX ±.005 [1.3mm]
 FRACTIONS ±1/32 [8mm]

ANGLES
 ±1/2°



SINGLE 35 QT PART DIMENSIONS		
	MIN	MAX
WIDTH	13.50	
DEPTH	21.73	
HEIGHT	20.33	
WEIGHT		
DIAMETER		
RADIUS		
CONTAINER CAPACITY	35	
CONTAINER UOM	QUART	

SINGLE 50 QT PART DIMENSIONS		
	MIN	MAX
WIDTH	13.50	
DEPTH	21.73	
HEIGHT	24.23	
WEIGHT		
DIAMETER		
RADIUS		
CONTAINER CAPACITY	50	
CONTAINER UOM	QUART	

SINGLE 35 QT MIN CABINET OPENING				
	FACE FRAME	FRAMELESS	INSET FACE FRAME	INSET FRAMELESS
WIDTH	13.50	13.50	13.50	13.50
DEPTH	22.00	22.00	22.75	22.75
HEIGHT	20.63	20.63	20.63	20.63

SINGLE 50 QT MIN CABINET OPENING				
	FACE FRAME	FRAMELESS	INSET FACE FRAME	INSET FRAMELESS
WIDTH	13.50	13.50	13.50	13.50
DEPTH	22.00	22.00	22.75	22.75
HEIGHT	24.50	24.50	24.50	24.50

SLIDE SPECIFICATIONS				
SLIDE TYPE	BLUMOTION	SLIDE EXTENSION	FULL	MAX WEIGHT RATING
SLIDE CLOSING	SELF	SLIDE LENGTH	21.625" [550]	
SLIDE MOUNTING	SIDE	SLIDE FINISH	ZINC	155 LB DYNAMIC

CUSTOMER DRAWING

This drawing is the property of Rev-A-Shelf (RAS) and is disclosed in confidence to the extent its subject matter is original to RAS. Any vendor receiving this drawing from RAS shall hold and use this drawing for the sole benefit of RAS and shall not disclose it to, or use or reproduce it for any third party, or perform any act adverse to the interest of RAS with respect to this drawing without the express written permission of RAS. Vendors shall not revise any physical, dimensional or performance characteristic unless authorized by Rev-A-Shelf Engineering.

INCH [MM]		AMERICAN PROJECTION	BY	DATE	REV-A-SHELF [®] INC.
			KRR	11-2-16	
MATERIAL		ANGLES	DRAWING NO.		SIZE
FINISH		±1/2°	5LB-15XXXXX-11X.CUST		FOR 15" FRAMELESS CABINET
REV.		DATE	BY	DESCRIPTION OF CHANGE	SCALE
					0.200
					PART NO.
					SEE CHART (SHT 1)
					SHEET 2 OF 2

TOLERANCES
 (WOOD) .XX ±.03 [.8mm]
 (OTHER) .XX ±.02 [.5mm]
 (ALL) .XXX ±.005 [0.13 mm]
 FRACTIONS ±1/32 [0.8 mm]