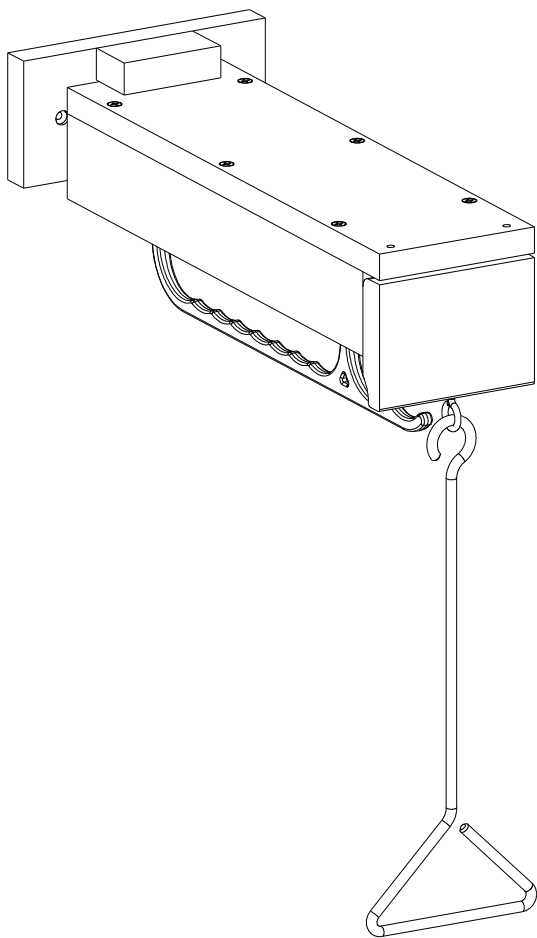


CUSTOMER DRAWING

This drawing is the property of Rev-A-Shelf (RAS) and is disclosed in confidence to the extent its subject matter is original to RAS. Any vendor receiving this drawing from RAS shall hold and use this drawing for the sole benefit of RAS and shall not disclose it to, or use or reproduce it for any third party, or perform any act adverse to the interest of RAS with respect to this drawing without the express written permission of RAS. Vendors shall not revise any physical, dimensional or performance characteristic unless authorized by Rev-A-Shelf Engineering.

				AMERICAN PROJECTION		BY	DATE	REV-A-SHELF, Inc.	
				INCH [MM]		DRAWN	KRR	6-26-18	
				TOLERANCES		SIZE		B	
				MATERIAL		DRAWING NO.		SCALE	
				FINISH		PART NO.		SHEET OF	
A	7-31-19	KRR	ADDED HANDLE	MATERIAL		GLD-CV14-1		0.375	
REV.	DATE	BY	DESCRIPTION OF CHANGE	FINISH		GLD-CV14-1		1 OF 2	



PART DIMENSIONS		
	MIN	MAX
WIDTH	4.00	6.25
DEPTH	14.00	15.50
HEIGHT	16.19	16.99
CONTAINER CAPACITY		
CONTAINER UOM		

MIN CABINET OPENING	
	FRAMELESS
WIDTH	N/A
DEPTH	14.00
HEIGHT	N/A

SLIDE SPECIFICATIONS				
SLIDE MANUFACTURER	N/A	RELEASE PART NUMBER	N/A	
SLIDE PART NUMBER	N/A	SLIDE TYPE	BALL BEARING	
SLIDE CLOSING	NORMAL	SLIDE EXTENSION	FULL	MAX WEIGHT RATING
SLIDE MOUNTING	SIDE	SLIDE LENGTH	11.81 [300MM]	75 LB
		SLIDE FINISH	ZINC	

CUSTOMER DRAWING

This drawing is the property of Rev-A-Shelf (RAS) and is disclosed in confidence to the extent its subject matter is original to RAS. Any vendor receiving this drawing from RAS shall hold and use this drawing for the sole benefit of RAS and shall not disclose it to, or use or reproduce it for any third party, or perform any act adverse to the interest of RAS with respect to this drawing without the express written permission of RAS. Vendors shall not revise any physical, dimensional or performance characteristic unless authorized by Rev-A-Shelf Engineering.

REV.	DATE	BY	DESCRIPTION OF CHANGE
A	7-31-19	KRR	ADDED HANDLE

INCH [MM]	AMERICAN PROJECTION	BY	DATE	REV-A-SHELF [®] , Inc.
		DRAWN	KRR	
				SIZE B
				CLOSET VALET HANGER
MATERIAL		DRAWING NO.	SCALE	
FINISH		GLD-CV14-1	0.375	
		PART NO.	SHEET	OF
		GLD-CV14-1	2	2

TOLERANCES
 MAT. DEC.
 (WOOD) .XX ±.03 [.8mm]
 (OTHER) .XX ±.02 [.5mm]
 (ALL) .XXX ±.005 [.13 mm]
 FRACTIONS ±1/32 [.8 mm]

ANGLES
 ±1/2°