

# SONDER

## LIVING

## GEORGINA SIDE TABLE / NATURAL








Thank you for choosing this quality product. Be sure to check all packaging materials carefully for small parts that may have become loose during shipment and place all parts on a non-abrasive surface.

**IMPORTANT :** These parts can be cumbersome and heavy to some people, therefore the assistance of two or more people is recommended in order to prevent personal injury and ensure the furniture is not damaged during the assembly Process.

### PART LIST

- A. [1] TABLETOP
- B. [2] BASE
- C. [1] MOUNTING FRAME
- D. [1] STRETCHER FRAME

### HARDWARE LIST

NO	DESCRIPTION	QTY
1	 ALLEN HEAD BOLT M8 x 20mm	4
2	 LOCK WASHER Ø14	4
3	 PLAIN WASHER Ø19	4
4	 ALLEN HEAD BOLT M6 x 15mm	6
5	 LOCK WASHER Ø10	6
6	 PLAIN WASHER Ø12	6
7	 ALLEN WRENCH	2

### INSTRUCTIONS

1. Assembly base frame by using Allen bolt (4) with lock washer (5) and flat washer (6). Refer FIGURE 1.

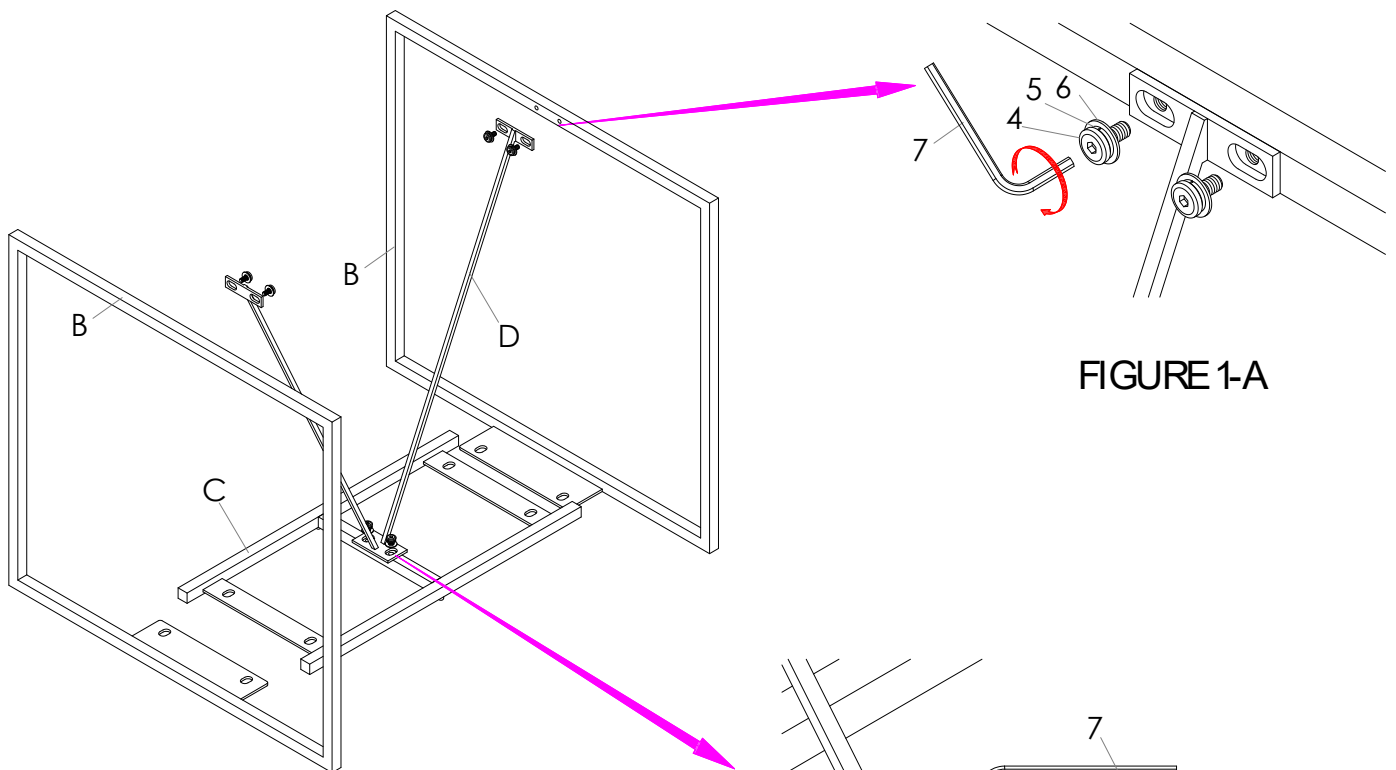


FIGURE 1-A

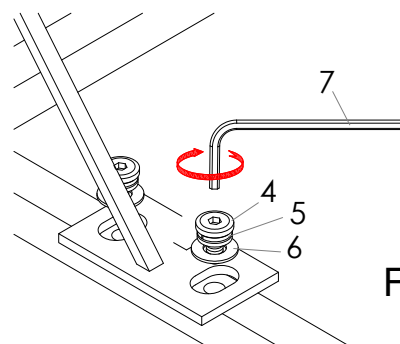


FIGURE 1-B

2. Gently, place the table top (A) upside down on the soft and flat surface then attach the assembled base frame to the top by using Allen bolt (1) with lock washer (2) and flat washer (3). See FIGURE 2.
3. Turn the table up. Assembly complete.

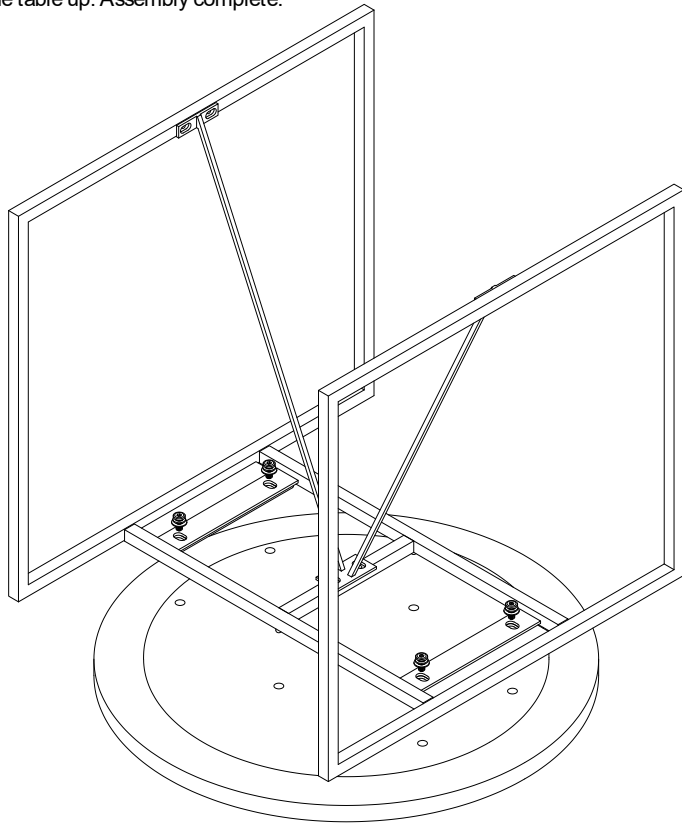
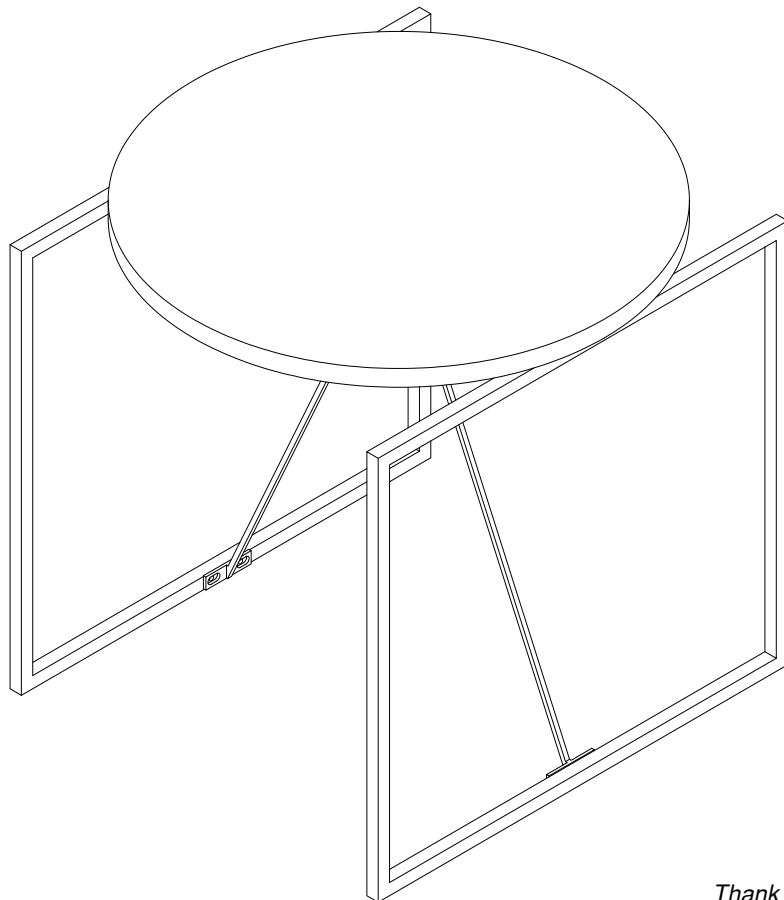
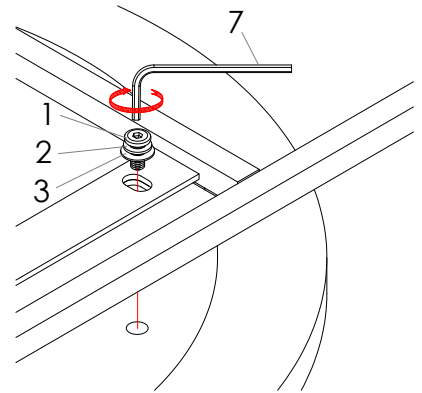


FIGURE 2



*Thank you for your purchase*

#### CARE INSTRUCTIONS

1. Dust often using a clean, soft, dry and lint-free cloth.
2. Blot spills immediately and wipe with a clean, damp, cloth.
3. We do not recommend the use of chemical cleansers, abrasives or furniture polish on our lacquered finish.