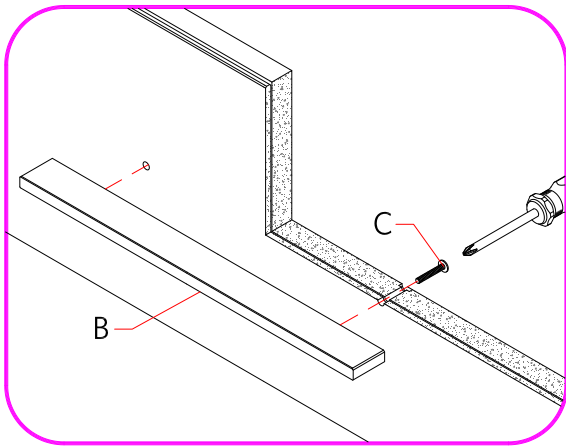
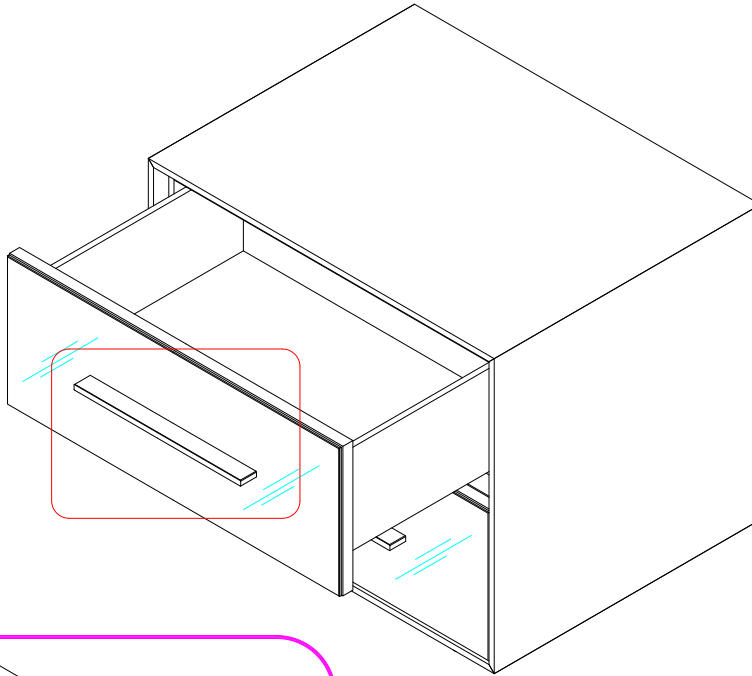


# WATER SILVER CLOSED NIGHTSTAND

1



A		1
B		2
C		4
D	 (Not Provided)	1

2

