

# Lumination® LED Luminaires

## Retrofit Commercial Downlights

### New Construction Frame Kit



CUSTOMER NAME \_\_\_\_\_

Project Name \_\_\_\_\_

Date \_\_\_\_\_ Type \_\_\_\_\_

Catalog Number \_\_\_\_\_

The non-IC rated frame kits are designed to enable 4", 6" and 8" Lumination® retrofit downlight fixtures to be used in new construction applications. The square frame has an adjustable aperture for easy installation. Suitable for grid or drywall ceilings. Hanger bars accessories are available.

## MOUNTING

- Universal mounting brackets with over 3" of vertical adjustment accommodate several types of hanger bars
- C-channel bar hanger is provided for mounting to T-bar grid
- Mount in T-bar grid or drywall ceilings, up to 1.5" thick

## DESIGN LIFE & WARRANTY

- UL and cUL Listed.
- Suitable for damp locations.
- Current's Limited 5-year Warranty:  
Please refer to document **IND599** for more information.

## ORDERING INFORMATION

FRAME KIT SKU	MATERIAL DESCRIPTION	PRODUCT DESCRIPTION
93090208	FRAME4R	4" ROUND RETROFIT DOWNLIGHT
93025091	FRAME6R	6" ROUND RETROFIT DOWNLIGHT
93025092	FRAME8R	8" SQUARE RETROFIT DOWNLIGHT
93090209	FRAME4S	4" SQUARE RETROFIT DOWNLIGHT
93045426	FRAME6S	6" SQUARE RETROFIT DOWNLIGHT
93045427	FRAME8S	8" SQUARE RETROFIT DOWNLIGHT

HANGER BAR SKU	MATERIAL DESCRIPTION	PRODUCT DESCRIPTION
93110306	BH3	C-CHANNEL – 25 1/4", HANGER BAR (BOX PAIR)



# Lumination® LED Downlights

## Retrofit Commercial Downlights

### New Construction Frame Kit

### Dimensions

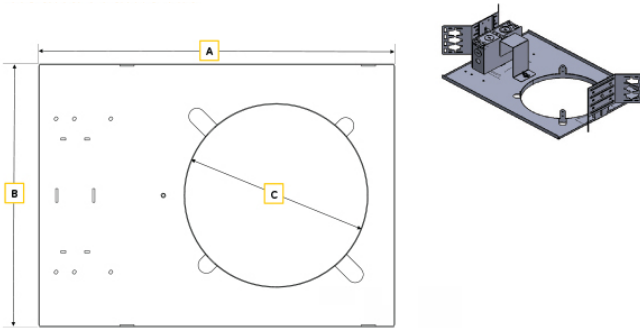
#### CUSTOMER NAME

Project Name \_\_\_\_\_

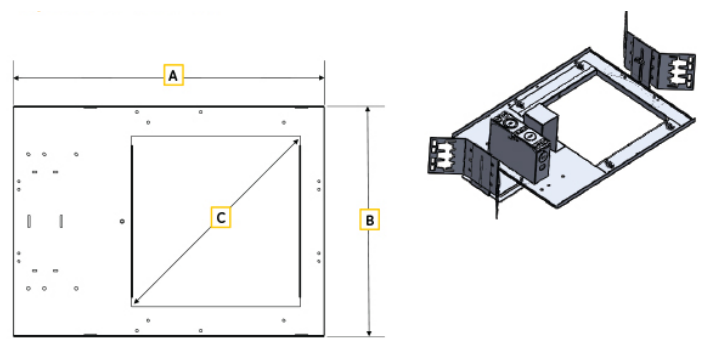
Date \_\_\_\_\_ Type \_\_\_\_\_

Catalog Number \_\_\_\_\_

#### ROUND FRAME KIT



#### SQUARE FRAME KIT



Round	Square
<b>4" Round:</b> A = 12.91" [328 mm] B = 8.58" [218 mm] C = 4.80" [122 mm]	<b>4" Square:</b> A = 12.91" [328 mm] B = 8.58" [218 mm] C = 4.80" [122 mm] C = 5.04" [128 mm] x 4.02" [102 mm] ~ 5.04" [128 mm]
<b>6" Round:</b> A = 15.35" [390 mm] B = 11.34" [288 mm] C = 6.46" [164 mm]	<b>6" Square:</b> A = 15.35" [390 mm] B = 11.34" [288 mm] C = 6.70" [170 mm] x 5.91" [150 mm] ~
<b>8" Round:</b> A = 15.35" [390 mm] B = 11.34" [288 mm] C = 7.87" [200 mm]	<b>8" Square:</b> A = 15.35" [390 mm] B = 11.34" [288 mm] C = 8.27" [210 mm] x 7.48" [190mm] ~ 8.37